



# ET-PGM42

## PLANETARY GEARBOX MOTOR

WEIGHT: 700g(APPROX)

### Performance Range

Voltage: 12-24DC  
Speed: 1-1000rpm  
Torque: 0.1-80kg.cm

### Key Features

High Torque Small Size  
Large Speed Range  
CW/CCW Running

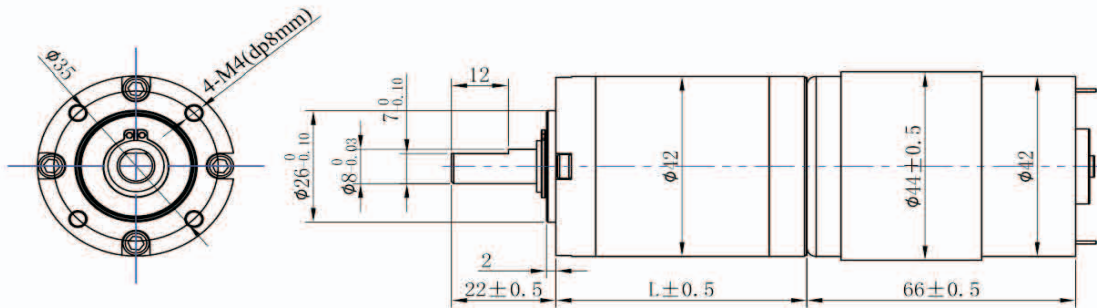
### Typical Applications

Apparatus and Equipments  
Actuator and Electric Valve  
Electric Valve and Robotics

Gear Ratio Stage	1	2	3	4	5
Gear Ratio	3.7	13	49	181	
	5.1	18	67	246	
		25	92	336	
			125	458	
				625	
Gearbox Length(L)mm	33.5	43.5	53.5	63.5	

ET-PGM42

UNIT:MM



Shaft End Play: 0.05~0.5

MODEL	VOLTAGE		NO LOAD		AT RATED LOAD		
	OPERATION RANGE	NOMINAL	SPEED	CURRENT	SPEED	CURRENT	TORQUE
			r/min	A	r/min	A	kg.cm
ET-PGM42-241000	15.0-28.0	24VDC	1000	$\leq 0.7$	840	$\leq 3.3$	1.4
ET-PGM42-24370	15.0-28.0	24VDC	370	$\leq 0.7$	310	$\leq 3.3$	1.8
ET-PGM42-24270	15.0-28.0	24VDC	270	$\leq 0.7$	229	$\leq 3.3$	4.5
ET-PGM42-24200	15.0-28.0	24VDC	200	$\leq 0.7$	168	$\leq 3.3$	6.2
ET-PGM42-24100	15.0-28.0	24VDC	100	$\leq 0.7$	85	$\leq 3.3$	2.5
ET-PGM42-2475	15.0-28.0	24VDC	75	$\leq 0.7$	62	$\leq 3.3$	15
ET-PGM42-2454	15.0-28.0	24VDC	54	$\leq 0.7$	45	$\leq 3.3$	20
ET-PGM42-2440	15.0-28.0	24VDC	40	$\leq 0.7$	33	$\leq 3.3$	28
ET-PGM42-2427	15.0-28.0	24VDC	27	$\leq 0.7$	23	$\leq 3.3$	38
ET-PGM42-2420	15.0-28.0	24VDC	20	$\leq 0.7$	18	$\leq 3.3$	62
ET-PGM42-2415	15.0-28.0	24VDC	15	$\leq 0.7$	13.5	$\leq 3.3$	80*
ET-PGM42-2411	15.0-28.0	24VDC	11	$\leq 0.7$	10.2	$\leq 3.3$	80*
ET-PGM42-248.0	15.0-28.0	24VDC	8.0	$\leq 0.7$	7.6	$\leq 3.3$	80*
ET-PGM42-128.0	15.0-28.0	12VDC	8.0	$\leq 0.7$	7.6	$\leq 3.3$	80*

Remarks:

1. Shaft dimension can be customized.
2. The Voltage can be 6V, 12V, 24V; The DC Motor's speed is adjustable.
3. This gearbox can matched with other DC Motor.