

深圳市亿同达电机有限公司

ETONM MOTOR CO LIMITED

- ④ 地址: 深圳市龙岗区平湖镇富民工业区分园开田科学园锦田2楼、4楼
Add: #2 #4, Jintian, Fountain Science Park, Fumin Industrial Zone, Pinghu Town, Shenzhen, China
- ④ Tel: +86-755-84019605 Fax: +86-755-89342809
Post Code: 518111
- ④ Website: www.etonm.com
- ④ Email: et@etonm.com



Customization Service

DC & GEAR MOTOR SOLUTIONS



公司介绍

亿同达于2004年在中国深圳成立。公司主要从事高精度直流减速电机的研发和生产，为客户提供最优质的产品和服务。亿同达非常重视产品的适用性和可靠性，并实施严格的质量控制。为满足日益增长的市场需求和使用需求，公司不断创新、研发出适用于不同行业的直流减速电机。



主营业务

公司以微型直流电机起家，随后开发了不同系列的减速电机，包括直齿减速电机、行星减速电机、蜗轮减速电机和无刷电机。这些电机的电压为1VDC~30VDC，电机直径为 $\Phi 8\sim\Phi 51\text{mm}$ 。



公司规模

亿同达设立了直流电机厂和减速电机厂两个单独的生产基地。公司采用全套的电机自动化生产和检测设备，雇佣熟练员工210余人，技术人员和工程师26余人；已通过ISO9001、ISO14001、ROHS、CE等认证。



市场分布

自2007年以来，亿同达的销售主要集中在海外。西欧、北欧、北美和南美、澳大利亚、东南亚，这些地区占据了我們86%以上的销售额。



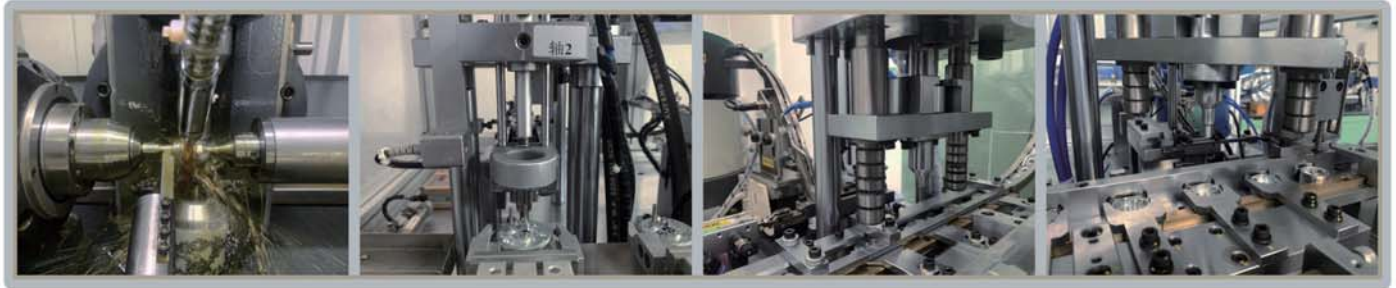
产品应用

主要应用有：感应式皂液机、蠕动泵、智能锁、电动阀（水表、煤气阀等）、咖啡机、咖啡豆研磨机、自动售货机、电动百叶窗、智能吸尘器、汽车底座、银行自动化、宠物喂食器和自动门、医疗设备、美容护理、物流传送带、机器人等。公司在低噪音和高扭矩技术领域取得了重大突破，为一些知名品牌提供了优秀的解决方案。



Company Profile

ETONM was founded in 2004 in Shenzhen China. The company is mainly engaged in the R&D and production of high-precision DC gear motors, providing customers with the high quality products and services. ETONM pays great importance to the applicability and reliability of products, and implements high quality control. In order to meet today's increasingly market demands, the company continues to innovate and develop DC gear motors to meet different customers' requirements.



Main Business

The company started with Mini DC Motors, and then developed different series of gear motors, including Spur Gear Motors, Planetary Gear Motors, Worm Gear Motors, and Brushless Motors. The voltage of these motors is 1VDC-30VDC, and the diameter of the motors is $\Phi 8\sim\Phi 51$ mm.



Company Scale

ETONM has 2 production facilities: DC motor factory and gear motor factory. We have applied a complete set of automatic motor production and testing equipment, have more than 210 skilled employees, and more than 26 technicians and engineers; it has passed ISO9001, ISO14001, ROHS, CE and other certifications.



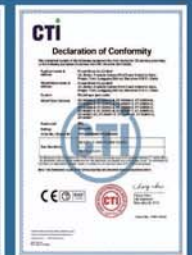
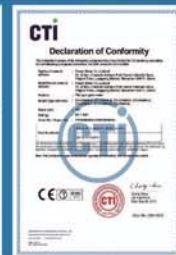
Market Distribution

Since 2007, ETONM sales has been mainly overseas. Western Europe, Northern Europe, North and South America, Australia, Southeast Asia, these regions take more than 86% of our sales.



Applications

The main applications are: Sensor Sanitary Dispenser, Auto Dosing, Smart Locks, Electric Valves (water meter, gas valves, etc.), Coffee Machine, Coffee Bean Grinder, Vending Machine, Electric Blinds, Smart Cleaner, Auto Cradle, Banking Automations, Pet Feeder and Door, Medical Equipment, Beauty Care, Conveyor Roller, Robotics, etc. The company has made major breakthroughs in the field of low noise and high torque technology, helping some well-known brands to provide excellent solutions.



行星齿轮减速电机 PLANETARY GEAR MOTOR (PGM)



▲ ET-PGM16



▲ ET-PGM22A



▲ ET-PGM22B



▲ ET-PGM22B1



▲ ET-PGM28A



▲ ET-PGM32A



▲ ET-PGM32B



▲ ET-PGM36A



▲ ET-PGM36B



▲ ET-PGM42



▲ ET-PGM56

蜗杆减速电机 WORM GEAR MOTOR (WGM)



▲ ET-WGM34A



▲ ET-WGM46





▲ ET-WGM58A



▲ ET-WGM58B



▲ ET-WGM58C

» 方形直齿减速电机 FLAT GEARBOX MOTOR (FGM CGM)



▲ ET-CGM64



▲ ET-CGM73



▲ ET-CGM95A



▲ ET-CGM95B



▲ ET-CGM95C



▲ ET-CGM95F



▲ ET-CGM95G



▲ ET-FGM119



▲ ET-ZGMP38



▶ 圓形直齒減速電機 ROUND SPUR GEAR MOTOR (SGM) //



▲ ET-SGM10



▲ ET-SGM12PT



▲ ET-SGM12A



▲ ET-SGM12C



▲ ET-SGM13



▲ ET-SGM15A



▲ ET-SGM20A



▲ ET-SGM25A



▲ ET-SGM25B



▲ ET-SGM27B



▲ ET-SGM30A



▲ ET-SGM32A



▲ ET-SGM37A



▲ ET-SGM37B



▲ ET-SGM37D



▲ ET-SGM37D2





▲ ET-SGM37E



▲ ET-SGM37F



▲ ET-SGM37G



▲ ET-SGM51B

» **无刷电机** BRUSHLESS DC MOTOR (BLDC)



▲ ET-DCM2418BL



▲ ET-DCM2430BL



▲ ET-DCM2838BL



▲ ET-DCM2846BL



▲ ET-DCM3626BL



▲ ET-DCM3640BL



▲ ET-DCM3650BL



▲ ET-DCM3657BL



▲ ET-DCM4260BL



▲ ET-DCM4266BL



▲ ET-PGM32BL2838



▲ ET-PGM36BL3640





▲ ET-SGM25BL2431



▲ ET-SGM37BL3626



▲ ET-SGM37BL3650



▲ ET-SGM37BL3657



▲ ET-WGM58BL3657



▲ ET-CGM95BL3650

» **微型直流电机** MICRO DC MOTOR (DCM)



▲ ET-DCM1015F



▲ ET-DCM1215F



▲ ET-DCM1220F



▲ ET-DCM1618F



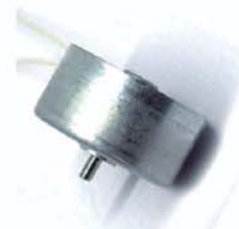
▲ ET-DCM1627F



▲ ET-DCM2125F



▲ ET-DCM2132F



▲ ET-DCM2513R





▲ ET-DCM2518R



▲ ET-DCM2531R



▲ ET-DCM2838RT



▲ ET-DCM3220R



▲ ET-DCM3223R



▲ ET-DCM3650RTM

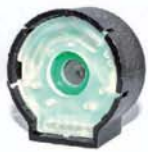
» **磁性编码器** **MAGNET ENCODER**



▲ ET-MY12



▲ ET-MY24



▲ ET-MY28



▲ ET-MY37



▲ ET-MY42



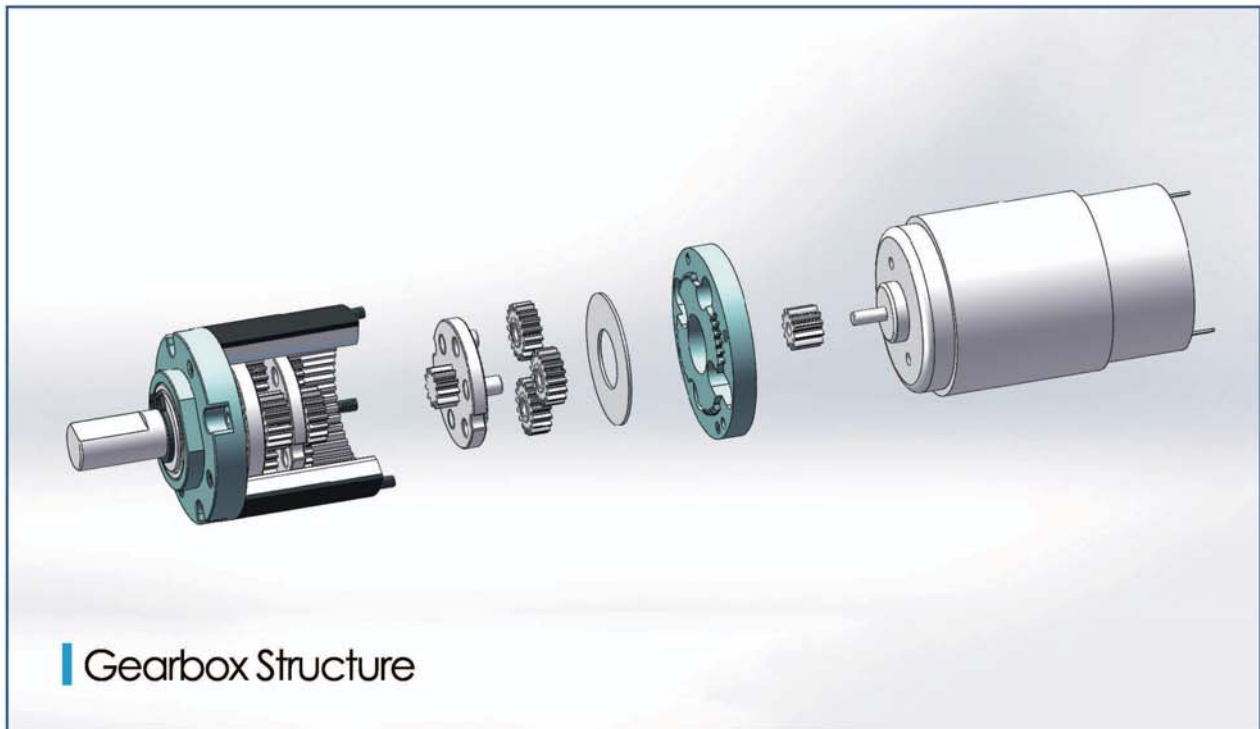


目录

CONTENTS

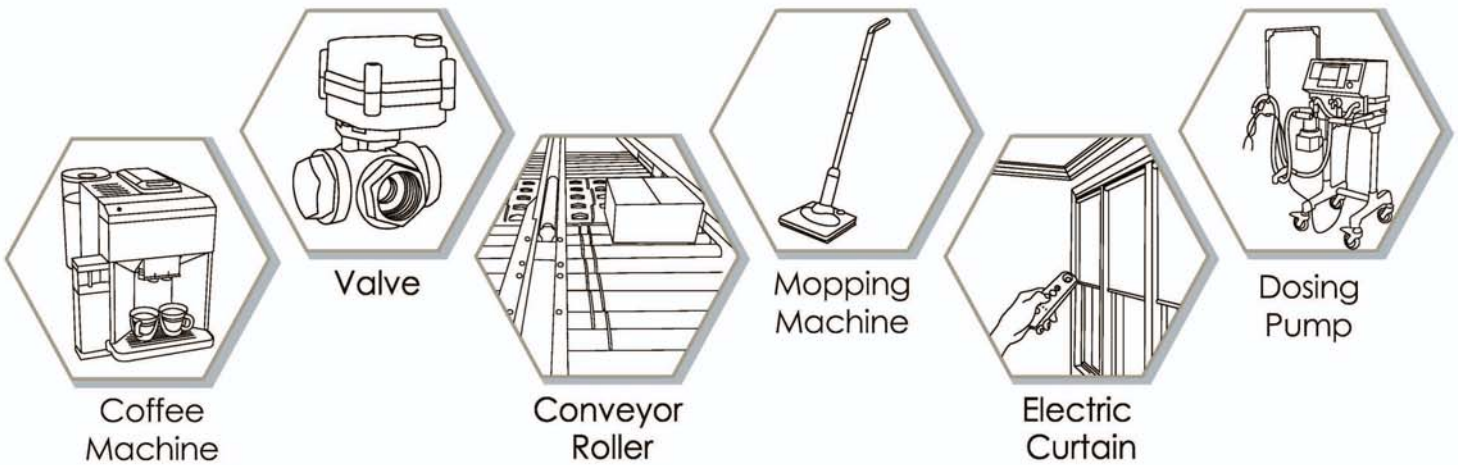
- 01** 行星齿轮减速电机
PLANETARY GEAR MOTOR (PGM)
- 13** 蜗杆减速电机
WORM GEAR MOTOR (WGM)
- 19** 方形直齿减速电机
FLAT GEARBOX MOTOR (FGM CGM ZGMP)
- 29** 圆形直齿减速电机
ROUND SPUR GEAR MOTOR (SGM)
- 51** 无刷电机
BRUSHLESS MOTOR (BLDC)
- 70** 微型直流电机
MICRO DC MOTOR (DCM)
- 85** 磁性编码器
MAGNET ENCODER

Planetary Gear Motor >>>



| Gearbox Structure

Applications



Unique Features: <<<

- Small Size High Torque
- High Precision
- Low Noise
- Long Lifetime



ET-PGM16

200PCS/Carton

Planetary Gear Motor

Carton size:370*308*175mm

9kg/carton(Approx)

Performance Range

Voltage: 3-12VDC
 Speed: 10-2000rpm
 Torque: 0.05-5kg.cm

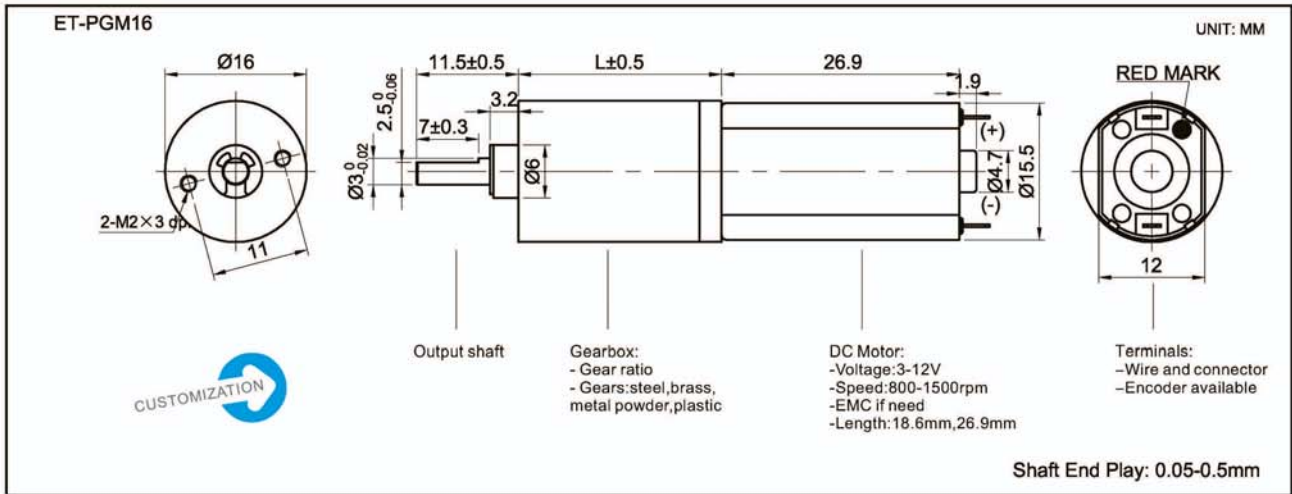
Key Features

Metal/Carbon Brush
 CW/CCW Running
 High Torque

Typical Applications

Electric Curtain
 Safe and Locking
 Electric Valve

| Gear Ratio Stage | 1 | 2 | 3 | 4 | 5 |
|-------------------|------|------|-----|------|------|
| Gear Ratio | 4.75 | 12.3 | 43 | 150 | 712 |
| | | 16 | 64 | 256 | 1024 |
| | | 19 | 76 | 304 | 1216 |
| | | 22.5 | 90 | 361 | 1444 |
| | | | 107 | 428 | 1715 |
| Gearbox Length(L) | 14 | 17.5 | 21 | 24.5 | 28 |



| MODEL | VOLTAGE | | NO LOAD | | AT RATED LOAD | | |
|-----------------|-----------------|---------|---------|---------|---------------|---------|--------|
| | OPERATION RANGE | NOMINAL | SPEED | CURRENT | SPEED | CURRENT | TORQUE |
| | | | r/min | mA | r/min | mA | kg.cm |
| ET-PGM16-061600 | 4.5-7.2V | 6VDC | 1600 | ≤60 | 1300 | ≤160 | 0.03 |
| ET-PGM16-06650 | 4.5-7.2V | 6VDC | 650 | ≤60 | 504 | ≤160 | 0.07 |
| ET-PGM16-06500 | 4.5-7.2V | 6VDC | 500 | ≤60 | 387 | ≤160 | 0.09 |
| ET-PGM16-06421 | 4.5-7.2V | 6VDC | 421 | ≤60 | 326 | ≤160 | 0.11 |
| ET-PGM16-06355 | 4.5-7.2V | 6VDC | 355 | ≤60 | 275 | ≤160 | 0.13 |
| ET-PGM16-06186 | 4.5-7.2V | 6VDC | 186 | ≤60 | 144 | ≤160 | 0.22 |
| ET-PGM16-06125 | 4.5-7.2V | 6VDC | 125 | ≤60 | 96 | ≤160 | 0.33 |
| ET-PGM16-0689 | 4.5-7.2V | 6VDC | 89 | ≤60 | 69 | ≤160 | 0.45 |
| ET-PGM16-0674 | 4.5-7.2V | 6VDC | 74 | ≤60 | 58 | ≤160 | 0.55 |
| ET-PGM16-0653 | 4.5-7.2V | 6VDC | 53 | ≤70 | 41 | ≤190 | 0.75 |
| ET-PGM16-0631 | 4.5-7.2V | 6VDC | 31 | ≤70 | 24 | ≤190 | 1.25 |
| ET-PGM16-0626 | 4.5-7.2V | 6VDC | 26 | ≤70 | 20 | ≤190 | 1.45 |
| ET-PGM16-0622 | 4.5-7.2V | 6VDC | 22 | ≤70 | 17 | ≤190 | 1.8 |
| ET-PGM16-0618 | 4.5-7.2V | 6VDC | 18 | ≤70 | 14.5 | ≤190 | 2.0 |
| ET-PGM16-0615.5 | 4.5-7.2V | 6VDC | 15.5 | ≤70 | 12 | ≤190 | 2.4 |

Remarks:

1. the voltage, speed, torque, current can be customized by changing to different motors and gear ratios.





ET-PGM22-A

100PCS/Carton

Planetary Gear Motor

Carton size:395*325*225mm

12kg/carton(Approx)

Performance Range

Voltage: 6.0-24VDC
 Speed: 1-1500rpm
 Torque: 0.1-8kg.cm

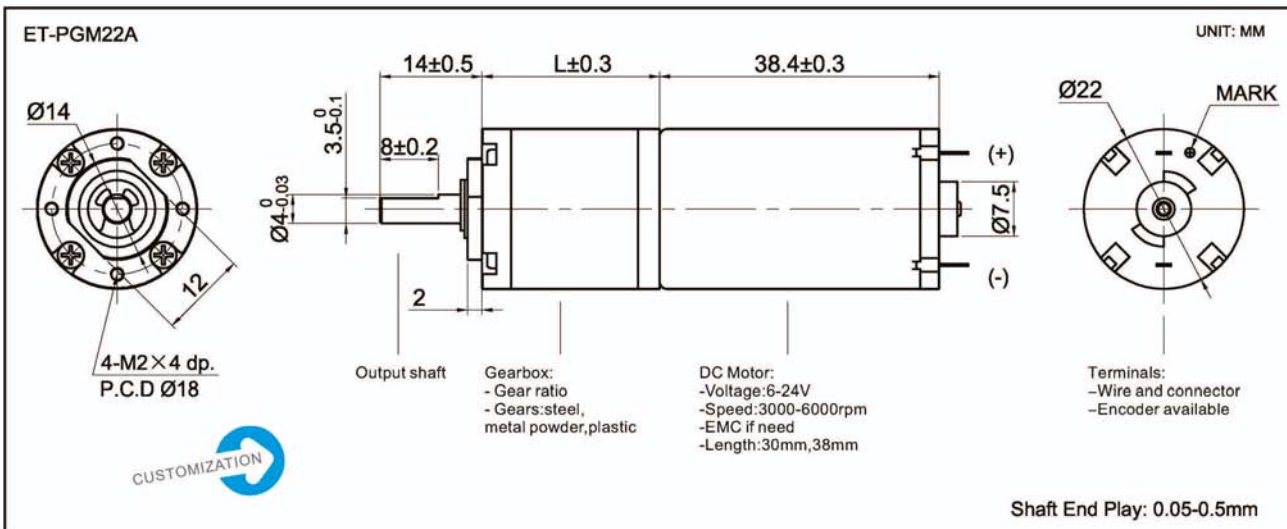
Key Features

High Torque Small Size
 CW/CCW Running
 Precise Metal Gears

Typical Applications

Electric Curtain
 Safe and Locking
 Office Automation

| Gear Ratio Stage | 1 | 2 | 3 | 4 | 5 |
|-------------------|------|----|------|------|------|
| | 4 | 14 | 53 | 164 | 867 |
| Gear Ratio | | 16 | 62 | 231 | 1014 |
| | | 19 | 72 | 270 | 1249 |
| | | | 84 | 370 | 1386 |
| | | | 104 | 455 | 1969 |
| Gearbox Length(L) | 14.4 | 18 | 21.7 | 25.3 | 29 |



| MODEL | VOLTAGE | | NO LOAD | | AT RATED LOAD | | |
|------------------|-----------------|---------|---------|---------|---------------|---------|--------|
| | OPERATION RANGE | NOMINAL | SPEED | CURRENT | SPEED | CURRENT | TORQUE |
| | | | r/min | mA | r/min | mA | kg.cm |
| ET-PGM22A-241500 | 12.0-24.0 | 24 | 1500 | ≤90 | 1300 | ≤260 | 0.18 |
| ET-PGM22A-24428 | 12.0-24.0 | 24 | 428 | ≤90 | 371 | ≤260 | 0.6 |
| ET-PGM22A-24375 | 12.0-24.0 | 24 | 375 | ≤90 | 325 | ≤260 | 0.66 |
| ET-PGM22A-24315 | 12.0-24.0 | 24 | 315 | ≤90 | 273 | ≤260 | 0.78 |
| ET-PGM22A-24113 | 12.0-24.0 | 24 | 113 | ≤90 | 98 | ≤260 | 2.0 |
| ET-PGM22A-2496 | 12.0-24.0 | 24 | 96 | ≤90 | 82 | ≤260 | 2.3 |
| ET-PGM22A-2483 | 12.0-24.0 | 24 | 83 | ≤90 | 72 | ≤260 | 2.7 |
| ET-PGM22A-2471 | 12.0-24.0 | 24 | 71 | ≤90 | 62 | ≤260 | 3.1 |
| ET-PGM22A-2457 | 12.0-24.0 | 24 | 57 | ≤90 | 50 | ≤260 | 3.9 |
| ET-PGM22A-2436 | 12.0-24.0 | 24 | 36 | ≤90 | 32 | ≤260 | 5.7 |
| ET-PGM22A-2426 | 12.0-24.0 | 24 | 26 | ≤90 | 22.5 | ≤260 | 8.0* |
| ET-PGM22A-2422 | 12.0-24.0 | 24 | 22 | ≤110 | 19 | ≤260 | 8.0* |
| ET-PGM22A-2416 | 12.0-24.0 | 24 | 16 | ≤110 | 14 | ≤260 | 8.0* |
| ET-PGM22A-2413 | 12.0-24.0 | 24 | 13 | ≤110 | 11 | ≤260 | 8.0* |
| ET-PGM22A-246.9 | 12.0-24.0 | 24 | 6.9 | ≤110 | 6 | ≤260 | 8.0* |
| ET-PGM22A-243.0 | 12.0-24.0 | 24 | 3 | ≤110 | 2.6 | ≤260 | 8.0* |

Remarks:

1. the voltage, speed, torque, current can be customized by changing to different motors and gear ratios.





ET-PGM22-B

200PCS/Carton

Planetary Gear Motor

Carton size:395*325*225mm

18kg/carton(Approx)

Performance Range

Voltage: 3-12VDC
 Speed: 1-2000rpm
 Torque: 0.1-6kg.cm

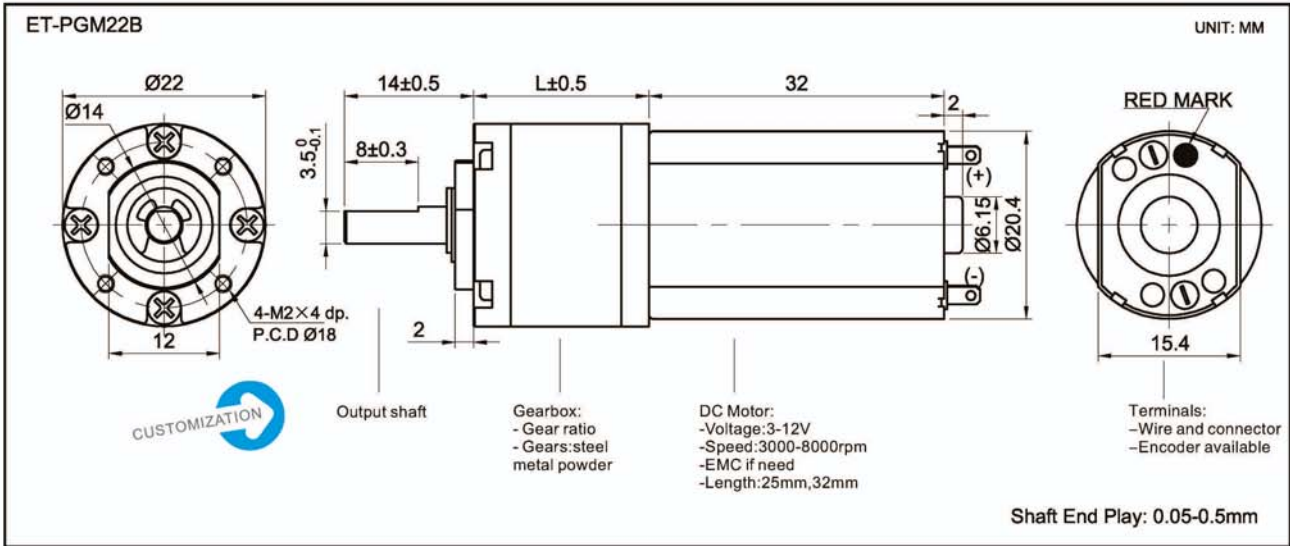
Key Features

High Torque Small Size
 CW/CCW Running
 Precise Metal Gears

Typical Applications

Electric Curtain
 Safe and Locking
 Office & Home Automation

| Gear Ratio Stage | 1 | 2 | 3 | 4 | 5 |
|-------------------|------|----|------|------|------|
| | 4 | 14 | 53 | 164 | 867 |
| | | 16 | 62 | 231 | 1014 |
| | | 19 | 72 | 270 | 1249 |
| | | | 84 | 370 | 1386 |
| | | | 104 | 455 | 1969 |
| Gearbox Length(L) | 14.4 | 18 | 21.7 | 25.3 | 29 |



| MODEL | VOLTAGE | | NO LOAD | | AT RATED LOAD | | |
|-----------------|-----------------|---------|----------------|---------------|----------------|---------------|-----------------|
| | OPERATION RANGE | NOMINAL | SPEED r/min | CURRENT mA | SPEED r/min | CURRENT mA | TORQUE kg.cm |
| ET-PGM22B-12406 | 9.0-14.0V | 12VDC | 406 | ≤60 | 325 | ≤220 | 0.25 |
| ET-PGM22B-12342 | 9.0-14.0V | 12VDC | 342 | ≤60 | 270 | ≤220 | 0.3 |
| ET-PGM22B-12123 | 9.0-14.0V | 12VDC | 123 | ≤60 | 98 | ≤220 | 0.8 |
| ET-PGM22B-1290 | 9.0-14.0V | 12VDC | 90 | ≤60 | 72 | ≤220 | 1.1 |
| ET-PGM22B-1277 | 9.0-14.0V | 12VDC | 77 | ≤60 | 61 | ≤220 | 1.3 |
| ET-PGM22B-1262 | 9.0-14.0V | 12VDC | 62 | ≤60 | 50 | ≤220 | 1.6 |
| ET-PGM22B-1243 | 9.0-14.0V | 12VDC | 43 | ≤60 | 34 | ≤220 | 2.1 |
| ET-PGM22B-1228 | 9.0-14.0V | 12VDC | 28 | ≤60 | 21 | ≤220 | 3.3 |
| ET-PGM22B-1220 | 9.0-14.0V | 12VDC | 20 | ≤60 | 16 | ≤220 | 4.5 |
| ET-PGM22B-1214 | 9.0-14.0V | 12VDC | 14 | ≤60 | 11 | ≤220 | 6.0 |
| ET-PGM22B-127.5 | 9.0-14.0V | 12VDC | 7.5 | ≤60 | 5.6 | ≤220 | 8.0* |
| ET-PGM22B-125.2 | 9.0-14.0V | 12VDC | 5.2 | ≤60 | 3.9 | ≤220 | 8.0* |
| ET-PGM22B-124.6 | 9.0-14.0V | 12VDC | 4.6 | ≤60 | 3.3 | ≤220 | 8.0* |
| ET-PGM22B-123.3 | 9.0-14.0V | 12VDC | 3.3 | ≤60 | 2.3 | ≤220 | 8.0* |

Remarks:

1. the voltage, speed, torque, current can be customized by changing to different motors and gear ratios.





ET-PGM22-B1

100PCS/Carton

Planetary Gear Motor

Carton size:395*325*225mm

12kg/carton(Approx)

Performance Range

Voltage: 3-24VDC
 Speed: 1-2000rpm
 Torque: 0.1-6kg.cm

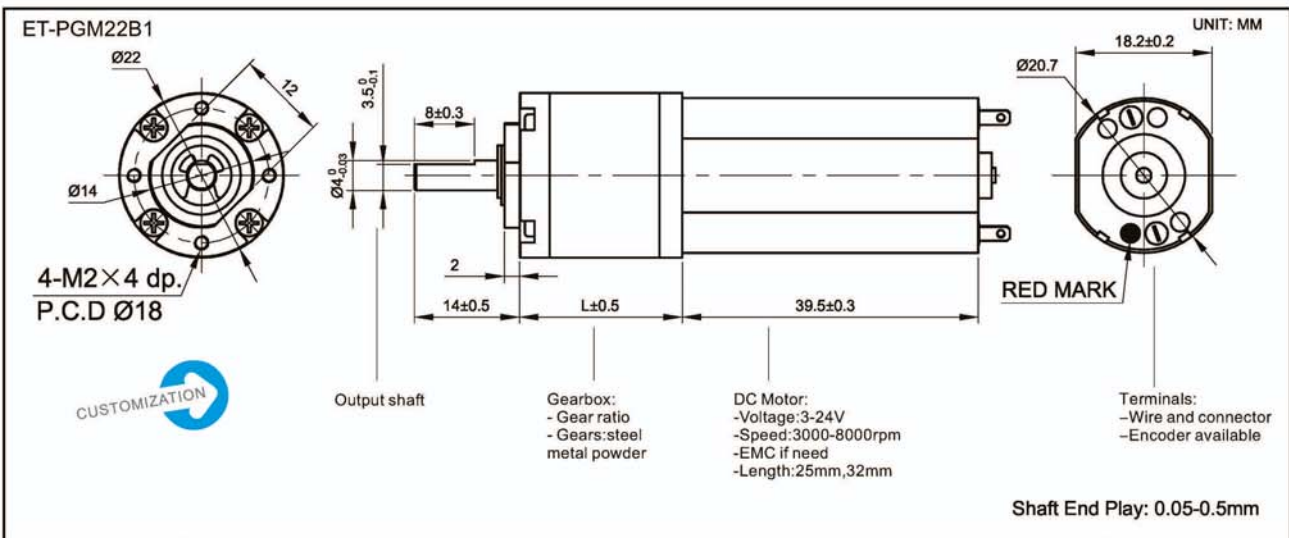
Key Features

High Torque Small Size
 CW/CCW Running
 Precise Metal Gears

Typical Applications

Home and Office Automation
 Equipment and Apparatus
 Actuator

| Gear Ratio Stage | 1 | 2 | 3 | 4 | 5 |
|-------------------|------|----|------|------|------|
| | 4 | 14 | 53 | 164 | 867 |
| | | 16 | 62 | 231 | 1014 |
| | | 19 | 72 | 270 | 1249 |
| | | | 84 | 370 | 1386 |
| | | | 104 | 455 | 1969 |
| Gearbox Length(L) | 14.4 | 18 | 21.7 | 25.3 | 29 |



| MODEL | VOLTAGE | | NO LOAD | | AT RATED LOAD | | |
|-------------------|-----------------|---------|----------------|---------------|----------------|---------------|-----------------|
| | OPERATION RANGE | NOMINAL | SPEED r/min | CURRENT mA | SPEED r/min | CURRENT mA | TORQUE kg.cm |
| ET-PGM22B1-121550 | 9.0-14.0V | 12VDC | 1550 | ≤150 | 1220 | ≤400 | 0.18 |
| ET-PGM22B1-12440 | 9.0-14.0V | 12VDC | 440 | ≤150 | 360 | ≤400 | 0.55 |
| ET-PGM22B1-12325 | 9.0-14.0V | 12VDC | 325 | ≤150 | 265 | ≤400 | 0.75 |
| ET-PGM22B1-12117 | 9.0-14.0V | 12VDC | 117 | ≤150 | 92 | ≤400 | 2.0 |
| ET-PGM22B1-1286 | 9.0-14.0V | 12VDC | 86 | ≤150 | 68 | ≤400 | 2.6 |
| ET-PGM22B1-1260 | 9.0-14.0V | 12VDC | 60 | ≤150 | 48 | ≤400 | 3.7 |
| ET-PGM22B1-1238 | 9.0-14.0V | 12VDC | 38 | ≤150 | 30 | ≤400 | 5.0 |
| ET-PGM22B1-1227 | 9.0-14.0V | 12VDC | 27 | ≤150 | 21 | ≤400 | 7.0 |
| ET-PGM22B1-1223 | 9.0-14.0V | 12VDC | 23 | ≤150 | 18 | ≤400 | 8.0* |
| ET-PGM22B1-1216.5 | 9.0-14.0V | 12VDC | 16.5 | ≤150 | 14 | ≤400 | 8.0* |
| ET-PGM22B1-1213.5 | 9.0-14.0V | 12VDC | 13.5 | ≤150 | 11.5 | ≤400 | 8.0* |
| ET-PGM22B1-127.0 | 9.0-14.0V | 12VDC | 7.0 | ≤150 | 6.0 | ≤400 | 8.0* |
| ET-PGM22B1-126.0 | 9.0-14.0V | 12VDC | 6.0 | ≤150 | 5.4 | ≤400 | 8.0* |
| ET-PGM22B1-124.5 | 9.0-14.0V | 12VDC | 4.5 | ≤150 | 4.0 | ≤400 | 8.0* |

Remarks:

1. the voltage, speed, torque, current can be customized by changing to different motors and gear ratios.





ET-PGM28-A

50PCS/Carton

Planetary Gear Motor

Carton size:270*250*282mm

12.5kg/carton(Approx)

Performance Range

Voltage: 6-24VDC
 Speed: 1-1500rpm
 Torque: 0.1-40kg.cm

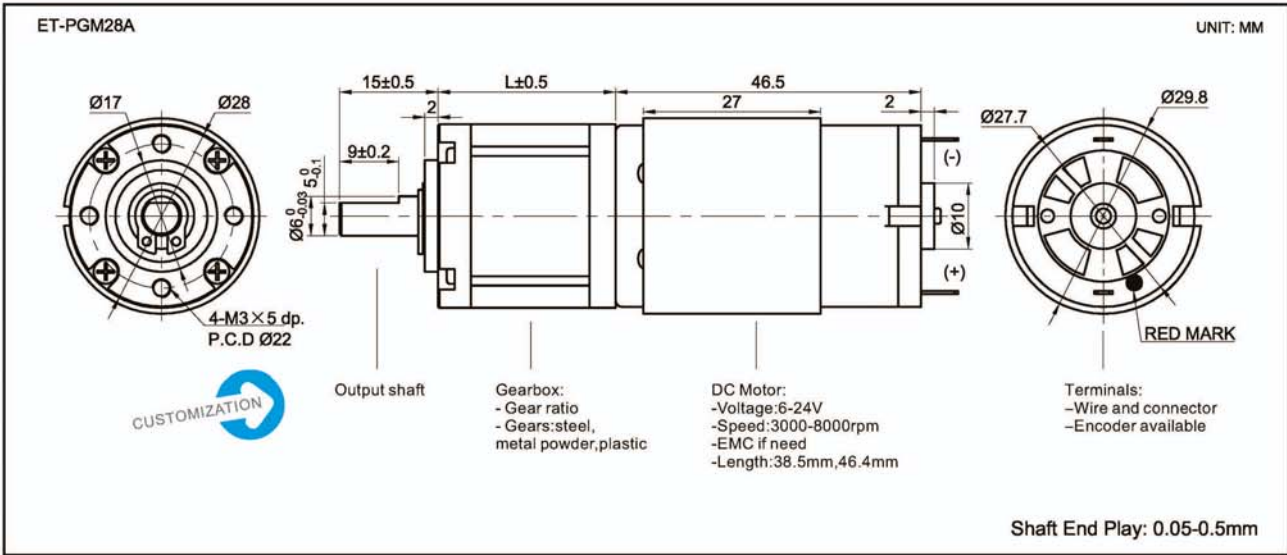
Key Features

High Torque Small Size
 Large Speed Range
 CW/CCW Running

Typical Applications

Electric Curtain
 Actuator and Electric Valve
 Office & Home Automation

| Gear Ratio Stage | 1 | 2 | 3 | 4 | 5 |
|-------------------|------|------|-----|------|------|
| Gear Ratio | 3.4 | 11 | 38 | 126 | 585 |
| | 4.7 | 16 | 51 | 241 | 810 |
| | | 21.5 | 72 | 334 | 1120 |
| | | | 100 | 462 | 1549 |
| | | | | | 2142 |
| Gearbox Length(L) | 20.5 | 26 | 32 | 37.5 | 43.3 |



| MODEL | VOLTAGE | | NO LOAD | | AT RATED LOAD | | |
|------------------|-----------------|---------|----------------|---------------|----------------|---------------|-----------------|
| | OPERATION RANGE | NOMINAL | SPEED r/min | CURRENT mA | SPEED r/min | CURRENT mA | TORQUE kg.cm |
| ET-PGM28A-241276 | 12.0-28.0 | 24VDC | 1276 | ≤100 | 1106 | ≤450 | 0.5 |
| ET-PGM28A-24545 | 12.0-28.0 | 24VDC | 545 | ≤100 | 473 | ≤450 | 1.0 |
| ET-PGM28A-24375 | 12.0-28.0 | 24VDC | 375 | ≤100 | 325 | ≤450 | 1.5 |
| ET-PGM28A-24279 | 12.0-28.0 | 24VDC | 279 | ≤100 | 241 | ≤450 | 2.0 |
| ET-PGM28A-24158 | 12.0-28.0 | 24VDC | 158 | ≤100 | 137 | ≤450 | 3.3 |
| ET-PGM28A-24117 | 12.0-28.0 | 24VDC | 117 | ≤100 | 100 | ≤450 | 4.4 |
| ET-PGM28A-2484 | 12.0-28.0 | 24VDC | 84 | ≤100 | 72 | ≤450 | 6.0 |
| ET-PGM28A-2460 | 12.0-28.0 | 24VDC | 60 | ≤100 | 51 | ≤450 | 8.0 |
| ET-PGM28A-2448 | 12.0-28.0 | 24VDC | 48 | ≤100 | 40 | ≤450 | 9.5 |
| ET-PGM28A-2425 | 12.0-28.0 | 24VDC | 25 | ≤100 | 21 | ≤450 | 19 |
| ET-PGM28A-2418 | 12.0-28.0 | 24VDC | 18 | ≤100 | 15 | ≤450 | 26 |
| ET-PGM28A-2413 | 12.0-28.0 | 24VDC | 13 | ≤100 | 10.5 | ≤450 | 30 |
| ET-PGM28A-247.4 | 12.0-28.0 | 24VDC | 7.4 | ≤100 | 6 | ≤450 | 40* |
| ET-PGM28A-243.8 | 12.0-28.0 | 24VDC | 3.8 | ≤100 | 3 | ≤450 | 40* |

Remarks:

1. the voltage, speed, torque, current can be customized by changing to different motors and gear ratios.





ET-PGM32A

50PCS/Carton

Planetary Gear Motor

Carton size:270*250*282

15kg/carton(Approx)

Performance Range

Voltage: 12-24VDC
 Speed: 1-1500rpm
 Torque: 0.1-40kg.cm

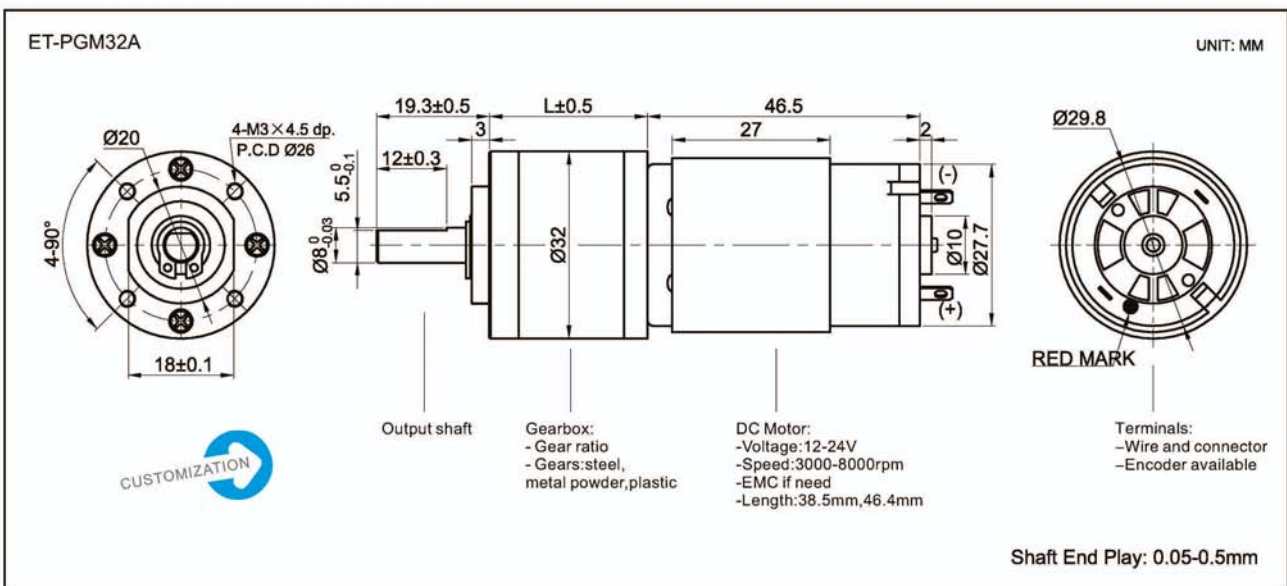
Key Features

High Torque Small Size
 Large Speed Range
 CW/CCW Running

Typical Applications

Electric Curtain
 Actuator and Electric Valve
 Coffee Bean Grinder and Coffee maker

| Gear Ratio Stage | 1 | 2 | 3 | 4 | 5 |
|-------------------|------|------|------|------|------|
| Gear Ratio | 4 | 14 | 51 | 189 | 977 |
| | 5 | 19 | 71 | 264 | 1367 |
| | | 27 | 100 | 369 | 1911 |
| | | | 139 | 516 | 2672 |
| | | | | 721 | 3736 |
| Gearbox Length(L) | 21.1 | 27.3 | 33.5 | 39.7 | 46 |



| MODEL | VOLTAGE | | NO LOAD | | AT RATED LOAD | | |
|------------------|-----------------|---------|---------|-------------|---------------|-------------|--------|
| | OPERATION RANGE | NOMINAL | SPEED | CURRENT | SPEED | CURRENT | TORQUE |
| | | | r/min | A | r/min | A | kg.cm |
| ET-PGM32A-241200 | 10.0-28.0 | 24VDC | 1200 | ≤ 0.16 | 1060 | ≤ 0.65 | 0.55 |
| ET-PGM32A-24428 | 10.0-28.0 | 24VDC | 428 | ≤ 0.16 | 378 | ≤ 0.65 | 1.45 |
| ET-PGM32A-24315 | 10.0-28.0 | 24VDC | 315 | ≤ 0.16 | 278 | ≤ 0.65 | 2.0 |
| ET-PGM32A-24222 | 10.0-28.0 | 24VDC | 222 | ≤ 0.16 | 196 | ≤ 0.65 | 2.8 |
| ET-PGM32A-24117 | 10.0-28.0 | 24VDC | 117 | ≤ 0.16 | 103 | ≤ 0.65 | 4.8 |
| ET-PGM32A-2484 | 10.0-28.0 | 24VDC | 84 | ≤ 0.16 | 74 | ≤ 0.65 | 6.7 |
| ET-PGM32A-2460 | 10.0-28.0 | 24VDC | 60 | ≤ 0.16 | 53 | ≤ 0.65 | 9.5 |
| ET-PGM32A-2443 | 10.0-28.0 | 24VDC | 43 | ≤ 0.16 | 38 | ≤ 0.65 | 13 |
| ET-PGM32A-2431.7 | 10.0-28.0 | 24VDC | 31.7 | ≤ 0.16 | 28 | ≤ 0.65 | 16 |
| ET-PGM32A-2422.7 | 10.0-28.0 | 24VDC | 22.7 | ≤ 0.16 | 20 | ≤ 0.65 | 22.5 |
| ET-PGM32A-2416 | 10.0-28.0 | 24VDC | 16 | ≤ 0.16 | 14 | ≤ 0.65 | 31 |
| ET-PGM32A-2411.6 | 10.0-28.0 | 24VDC | 11.6 | ≤ 0.16 | 10 | ≤ 0.65 | 40 |
| ET-PGM32A-248.3 | 10.0-28.0 | 24VDC | 8.3 | ≤ 0.16 | 7.3 | ≤ 0.65 | 40* |
| ET-PGM32A-243.1 | 10.0-28.0 | 24VDC | 3.1 | ≤ 0.16 | 2.7 | ≤ 0.65 | 40* |

Remarks:

1. the voltage, speed, torque, current can be customized by changing to different motors and gear ratios.





ET-PGM32-B

50PCS/Carton

Planetary Gear Motor

Carton size:270*250*282

13.4kg/carton(Approx)

Performance Range

Voltage: 6-24VDC
 Speed: 1-1500rpm
 Torque: 0.1-40kg.cm

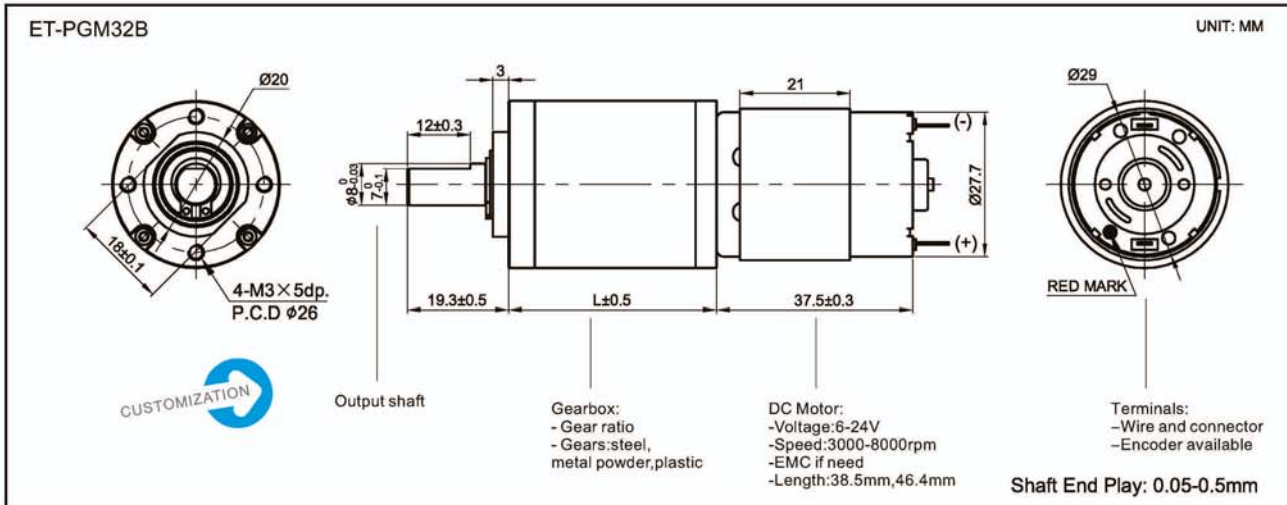
Key Features

High Torque Small Size
 CW/CCW Running
 Precise Metal Gears

Typical Applications

Home and Office Automation
 Equipment and Apparatus
 Coffee Machine

| Gear Ratio Stage | 1 | 2 | 3 | 4 | 5 |
|-------------------|------|------|------|------|------|
| Gear Ratio | 3.7 | 14 | 51 | 189 | 977 |
| | 5.2 | 19 | 71 | 264 | 1367 |
| | | 27 | 100 | 369 | 1911 |
| | | | 139 | 516 | 2672 |
| | | | | 721 | 3736 |
| Gearbox Length(L) | 21.1 | 27.3 | 33.5 | 39.7 | 46 |



| MODEL | VOLTAGE | | NO LOAD | | AT RATED LOAD | | |
|------------------|-----------------|---------|----------------|---------------|----------------|---------------|-----------------|
| | OPERATION RANGE | NOMINAL | SPEED r/min | CURRENT mA | SPEED r/min | CURRENT mA | TORQUE kg.cm |
| ET-PGM32B-121620 | 9.0-14.0V | 12VDC | 1620 | ≤220 | 1400 | ≤520 | 0.18 |
| ET-PGM32B-12428 | 9.0-14.0V | 12VDC | 428 | ≤220 | 370 | ≤520 | 0.55 |
| ET-PGM32B-12315 | 9.0-14.0V | 12VDC | 315 | ≤220 | 270 | ≤520 | 0.75 |
| ET-PGM32B-12222 | 9.0-14.0V | 12VDC | 222 | ≤220 | 190 | ≤520 | 1.0 |
| ET-PGM32B-12117 | 9.0-14.0V | 12VDC | 117 | ≤220 | 100 | ≤520 | 1.8 |
| ET-PGM32B-1284 | 9.0-14.0V | 12VDC | 84 | ≤220 | 73 | ≤520 | 2.5 |
| ET-PGM32B-1260 | 9.0-14.0V | 12VDC | 60 | ≤220 | 52 | ≤520 | 3.5 |
| ET-PGM32B-1243 | 9.0-14.0V | 12VDC | 43 | ≤220 | 37 | ≤520 | 5.0 |
| ET-PGM32B-1231 | 9.0-14.0V | 12VDC | 31 | ≤220 | 27 | ≤520 | 7.0 |
| ET-PGM32B-1222.7 | 9.0-14.0V | 12VDC | 22.7 | ≤220 | 19.5 | ≤520 | 8.5 |
| ET-PGM32B-1216.2 | 9.0-14.0V | 12VDC | 16.2 | ≤220 | 14 | ≤520 | 12.0 |
| ET-PGM32B-1211.6 | 9.0-14.0V | 12VDC | 11.6 | ≤220 | 10.0 | ≤520 | 18.0 |
| ET-PGM32B-128.3 | 9.0-14.0V | 12VDC | 8.3 | ≤220 | 7.2 | ≤520 | 24.0 |
| ET-PGM32B-124.3 | 9.0-14.0V | 12VDC | 4.3 | ≤220 | 3.8 | ≤520 | 40.0 |

Remarks:

1. the voltage, speed, torque, current can be customized by changing to different motors and gear ratios.





ET-PGM36-A

30PCS/Carton

Planetary Gear Motor

Carton size:345*310*160mm

12.5kg/carton(Approx)

Performance Range

Voltage: 6-24VDC
 Speed: 1-1500rpm
 Torque: 0.1-60kg.cm

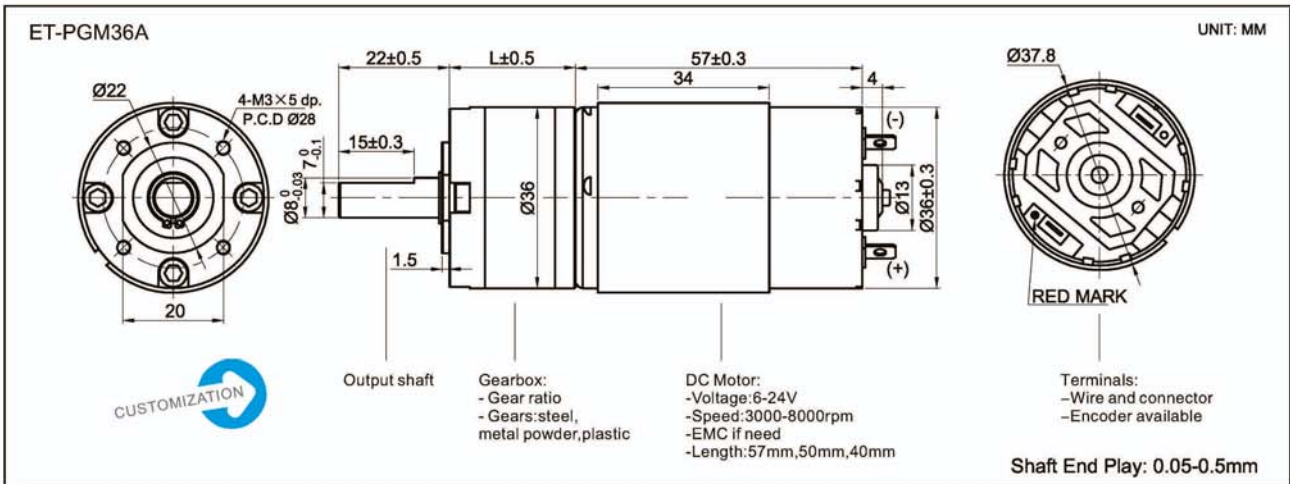
Key Features

High Torque Small Size
 Large Speed Range
 CW/CCW Running

Typical Applications

Robotics
 Pump and Electric Valve
 Banking and Medical Equipment

| Gear Ratio Stage | 1 | 2 | 3 | 4 | 5 |
|-------------------|------|------|------|------|------|
| Gear Ratio | 3.7 | 14 | 51 | 188 | 977 |
| | 5.2 | 19 | 71 | 264 | 1367 |
| | | 27 | 100 | 369 | 1910 |
| | | | 139 | 516 | 2671 |
| | | | | 721 | 3736 |
| Gearbox Length(L) | 25.2 | 31.7 | 38.2 | 44.7 | 51.4 |



| MODEL | VOLTAGE | | NO LOAD | | AT RATED LOAD | | |
|------------------|-----------------|---------|----------------|---------------|----------------|--------------|-----------------|
| | OPERATION RANGE | NOMINAL | SPEED r/min | CURRENT mA | SPEED r/min | CURRENT A | TORQUE kg.cm |
| ET-PGM36A-121150 | 8.0-14.0 | 12VDC | 1150 | ≤350 | 961 | ≤1.7 | 1.1 |
| ET-PGM36A-12428 | 8.0-14.0 | 12VDC | 428 | ≤350 | 357 | ≤1.7 | 2.8 |
| ET-PGM36A-12315 | 8.0-14.0 | 12VDC | 315 | ≤350 | 263 | ≤1.7 | 3.8 |
| ET-PGM36A-12222 | 8.0-14.0 | 12VDC | 222 | ≤350 | 185 | ≤1.7 | 5.5 |
| ET-PGM36A-12117 | 8.0-14.0 | 12VDC | 117 | ≤350 | 98 | ≤1.7 | 9 |
| ET-PGM36A-1284 | 8.0-14.0 | 12VDC | 84 | ≤350 | 70 | ≤1.7 | 13 |
| ET-PGM36A-1260 | 8.0-14.0 | 12VDC | 60 | ≤350 | 50 | ≤1.7 | 18 |
| ET-PGM36A-1243 | 8.0-14.0 | 12VDC | 43 | ≤350 | 36 | ≤1.7 | 25 |
| ET-PGM36A-1232 | 8.0-14.0 | 12VDC | 32 | ≤350 | 26 | ≤1.7 | 31 |
| ET-PGM36A-1223 | 8.0-14.0 | 12VDC | 23 | ≤350 | 19 | ≤1.7 | 43 |
| ET-PGM36A-1216 | 8.0-14.0 | 12VDC | 16 | ≤350 | 13.5 | ≤1.7 | 60* |
| ET-PGM36A-1211.5 | 8.0-14.0 | 12VDC | 11.5 | ≤350 | 9.5 | ≤1.7 | 60* |
| ET-PGM36A-128.3 | 8.0-14.0 | 12VDC | 8.3 | ≤350 | 7 | ≤1.7 | 60* |
| ET-PGM36A-1206 | 8.0-14.0 | 12VDC | 6 | ≤350 | 5 | ≤1.7 | 60* |
| ET-PGM36A-124.3 | 8.0-14.0 | 12VDC | 4.3 | ≤350 | 3.6 | ≤1.7 | 60* |
| ET-PGM36A-121.6 | 8.0-14.0 | 12VDC | 1.6 | ≤350 | 1.3 | ≤1.7 | 60* |

Remarks:

1. the voltage, speed, torque, current can be customized by changing to different motors and gear ratios.





ET-PGM36-B

30PCS/Carton

Planetary Gear Motor

Carton size:345*310*160mm

11.5kg/carton(Approx)

Performance Range

Voltage: 6-24VDC
 Speed: 1-1500rpm
 Torque: 0.1-40kg.cm

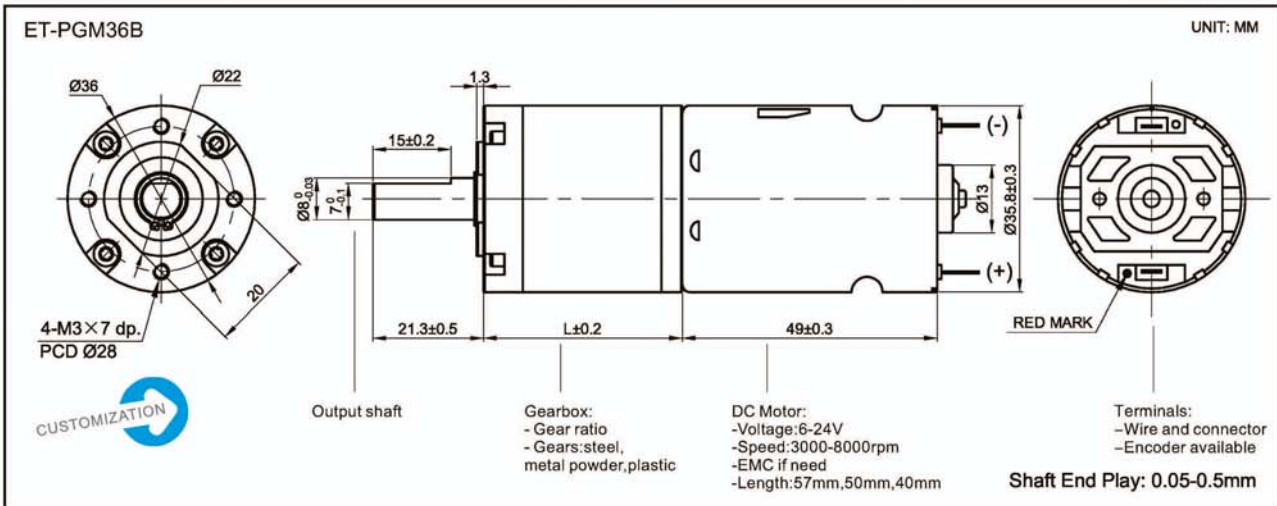
Key Features

High Torque Small Size
 CW/CCW Running
 Precise Metal Gears

Typical Applications

Home and Office Automation
 Equipment and Apparatus
 Pump

| Gear Ratio Stage | 1 | 2 | 3 | 4 | 5 |
|-------------------|------|------|------|------|------|
| Gear Ratio | 3.7 | 14 | 51 | 189 | 977 |
| | 5.2 | 19 | 71 | 264 | 1367 |
| | | 27 | 100 | 369 | 1911 |
| | | | 139 | 516 | 2671 |
| | | | | 721 | 3736 |
| Gearbox Length(L) | 25.2 | 31.7 | 38.2 | 44.7 | 51.4 |



| MODEL | VOLTAGE | | NO LOAD | | AT RATED LOAD | | |
|------------------|-----------------|---------|----------------|---------------|----------------|---------------|-----------------|
| | OPERATION RANGE | NOMINAL | SPEED r/min | CURRENT mA | SPEED r/min | CURRENT mA | TORQUE kg.cm |
| ET-PGM36B-241100 | 18.0-28.0V | 24VDC | 1100 | ≤250 | 940 | ≤850 | 0.93 |
| ET-PGM36B-24415 | 18.0-28.0V | 24VDC | 415 | ≤250 | 350 | ≤850 | 2.2 |
| ET-PGM36B-24305 | 18.0-28.0V | 24VDC | 305 | ≤250 | 258 | ≤850 | 3.0 |
| ET-PGM36B-24220 | 18.0-28.0V | 24VDC | 220 | ≤250 | 180 | ≤850 | 4.3 |
| ET-PGM36B-24117 | 18.0-28.0V | 24VDC | 117 | ≤250 | 96 | ≤850 | 7.5 |
| ET-PGM36B-2484 | 18.0-28.0V | 24VDC | 84 | ≤250 | 69 | ≤850 | 10.0 |
| ET-PGM36B-2460 | 18.0-28.0V | 24VDC | 60 | ≤250 | 50 | ≤850 | 15.0 |
| ET-PGM36B-2443 | 18.0-28.0V | 24VDC | 43 | ≤250 | 35 | ≤850 | 20.0 |
| ET-PGM36B-2431 | 18.0-28.0V | 24VDC | 31 | ≤250 | 26 | ≤850 | 25.0 |
| ET-PGM36B-2422.7 | 18.0-28.0V | 24VDC | 22.7 | ≤250 | 18.5 | ≤850 | 35.0 |
| ET-PGM36B-2416.2 | 18.0-28.0V | 24VDC | 16.2 | ≤250 | 13.0 | ≤850 | 45.0 |
| ET-PGM36B-2411.6 | 18.0-28.0V | 24VDC | 11.6 | ≤250 | 9.5 | ≤850 | 60.0* |
| ET-PGM36B-248.3 | 18.0-28.0V | 24VDC | 8.3 | ≤250 | 7.0 | ≤850 | 60.0* |
| ET-PGM36B-244.3 | 18.0-28.0V | 24VDC | 4.3 | ≤250 | 3.8 | ≤850 | 60.0* |

Remarks:

1. the voltage, speed, torque, current can be customized by changing to different motors and gear ratios.





ET-PGM42

20PCS/Carton

Planetary Gear Motor

Carton size:370*330*125mm

16.8kg/carton(Approx)

Performance Range

Voltage: 12-24DC
 Speed: 1-1000rpm
 Torque: 0.1-80kg.cm

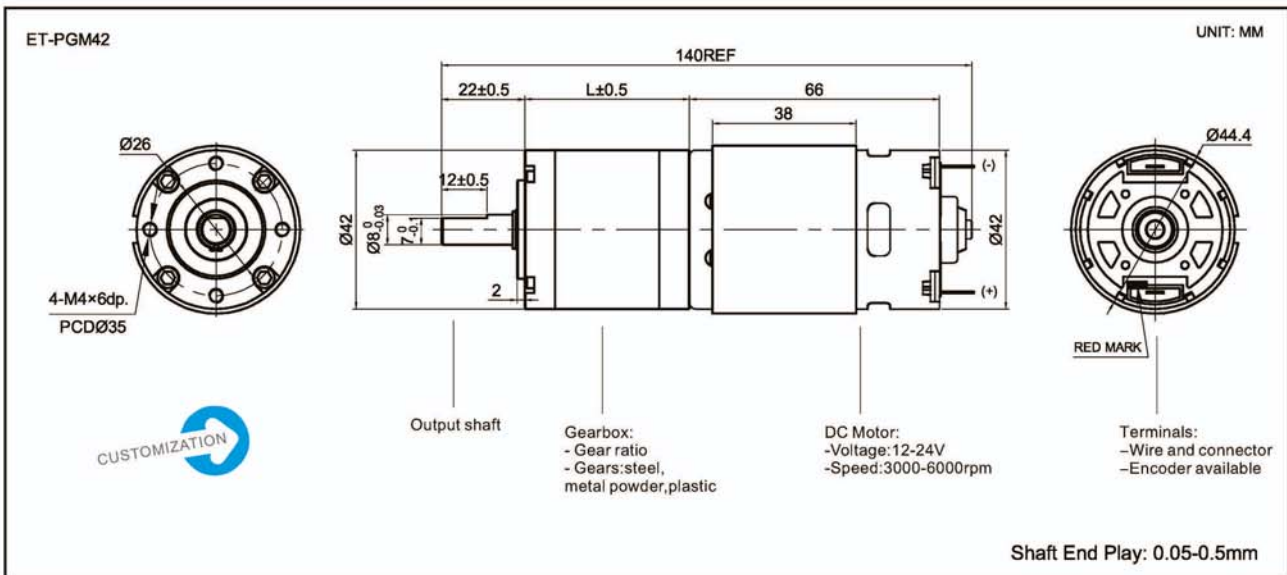
Key Features

High Torque Small Size
 Large Speed Range
 CW/CCW Running

Typical Applications

Apparatus and Equipments
 Actuator and Robotics
 Conveyor Roller

| Gear Ratio Stage | 1 | 2 | 3 | 4 | 5 |
|---------------------|------|------|------|------|---|
| Gear Ratio | 3.7 | 13 | 49 | 181 | |
| | 5.1 | 18 | 67 | 246 | |
| | | 25 | 92 | 336 | |
| | | | 125 | 458 | |
| | | | | 625 | |
| Gearbox Length(L)mm | 33.7 | 43.7 | 53.7 | 63.7 | |



| MODEL | VOLTAGE | | NO LOAD | | AT RATED LOAD | | |
|-----------------|-----------------|---------|---------|---------|---------------|---------|--------|
| | OPERATION RANGE | NOMINAL | SPEED | CURRENT | SPEED | CURRENT | TORQUE |
| | | | r/min | A | r/min | A | kg.cm |
| ET-PGM42-241000 | 18.0-28.0V | 24VDC | 1000 | ≤0.7 | 840 | ≤3.3 | 1.4 |
| ET-PGM42-24370 | 18.0-28.0V | 24VDC | 370 | ≤0.7 | 310 | ≤3.3 | 1.8 |
| ET-PGM42-24270 | 18.0-28.0V | 24VDC | 270 | ≤0.7 | 229 | ≤3.3 | 4.5 |
| ET-PGM42-24200 | 18.0-28.0V | 24VDC | 200 | ≤0.7 | 168 | ≤3.3 | 6.2 |
| ET-PGM42-24100 | 18.0-28.0V | 24VDC | 100 | ≤0.7 | 85 | ≤3.3 | 8.5 |
| ET-PGM42-2475 | 18.0-28.0V | 24VDC | 75 | ≤0.7 | 62 | ≤3.3 | 15 |
| ET-PGM42-2454 | 18.0-28.0V | 24VDC | 54 | ≤0.7 | 45 | ≤3.3 | 20 |
| ET-PGM42-2440 | 18.0-28.0V | 24VDC | 40 | ≤0.7 | 33 | ≤3.3 | 28 |
| ET-PGM42-2427 | 18.0-28.0V | 24VDC | 27 | ≤0.7 | 23 | ≤3.3 | 38 |
| ET-PGM42-2420 | 18.0-28.0V | 24VDC | 20 | ≤0.7 | 18 | ≤3.3 | 62 |
| ET-PGM42-2415 | 18.0-28.0V | 24VDC | 15 | ≤0.7 | 13.5 | ≤3.3 | 80* |
| ET-PGM42-2411 | 18.0-28.0V | 24VDC | 11 | ≤0.7 | 10.2 | ≤3.3 | 80* |
| ET-PGM42-248.0 | 18.0-28.0V | 24VDC | 8.0 | ≤0.7 | 7.6 | ≤3.3 | 80* |
| ET-PGM42-128.0 | 18.0-28.0V | 12VDC | 8.0 | ≤0.7 | 7.6 | ≤3.3 | 80* |

Remarks:

1. the voltage, speed, torque, current can be customized by changing to different motors and gear ratios.





ET-PGM56

10PCS/Carton

Planetary Gear Motor

Carton size:245*390*170mm

16kg/carton(Approx)

Performance Range

Voltage:12-24VDC
Speed: 1-200rpm
Torque:10-200kg.cm

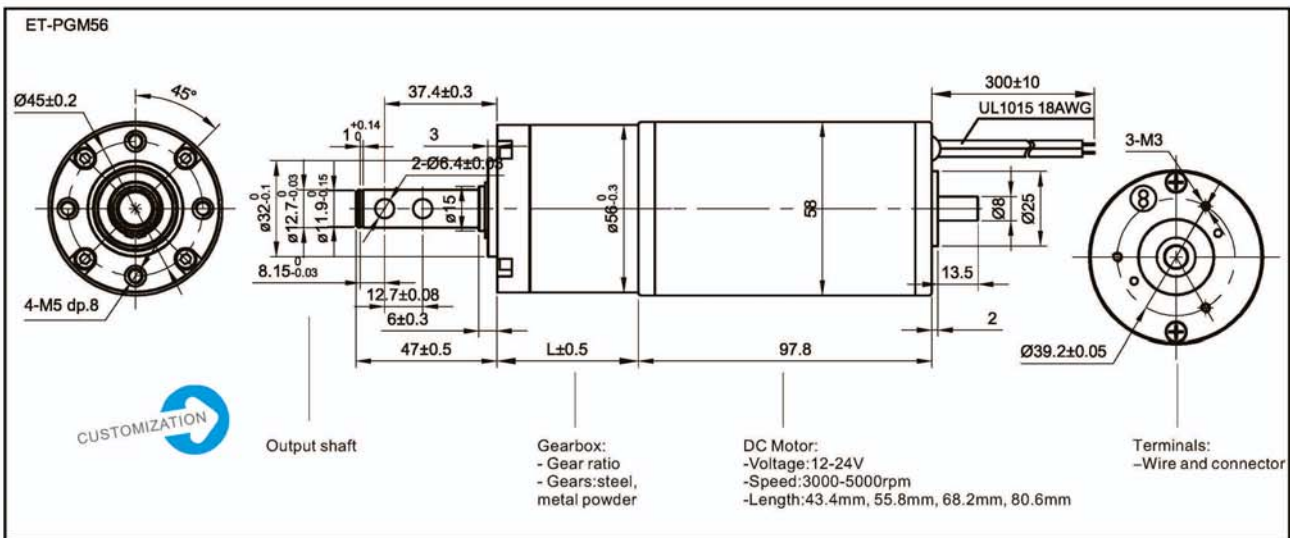
Key Features

High Torque
CW/CCW Running
Precise Metal Gears

Typical Applications

Home and Office Automation
Equipment and Apparatus
Medical Device

| Gear Ratio Stage | 2 | 3 | 4 | 5 |
|-------------------|------|------|------|------|
| Gear Ratio | 16 | 64 | 256 | 1024 |
| | 20 | 80 | 320 | 1280 |
| | | 100 | 400 | 1600 |
| | | 125 | 500 | 2000 |
| | | | | 2500 |
| Gearbox Length(L) | 43.4 | 55.8 | 68.2 | 80.6 |



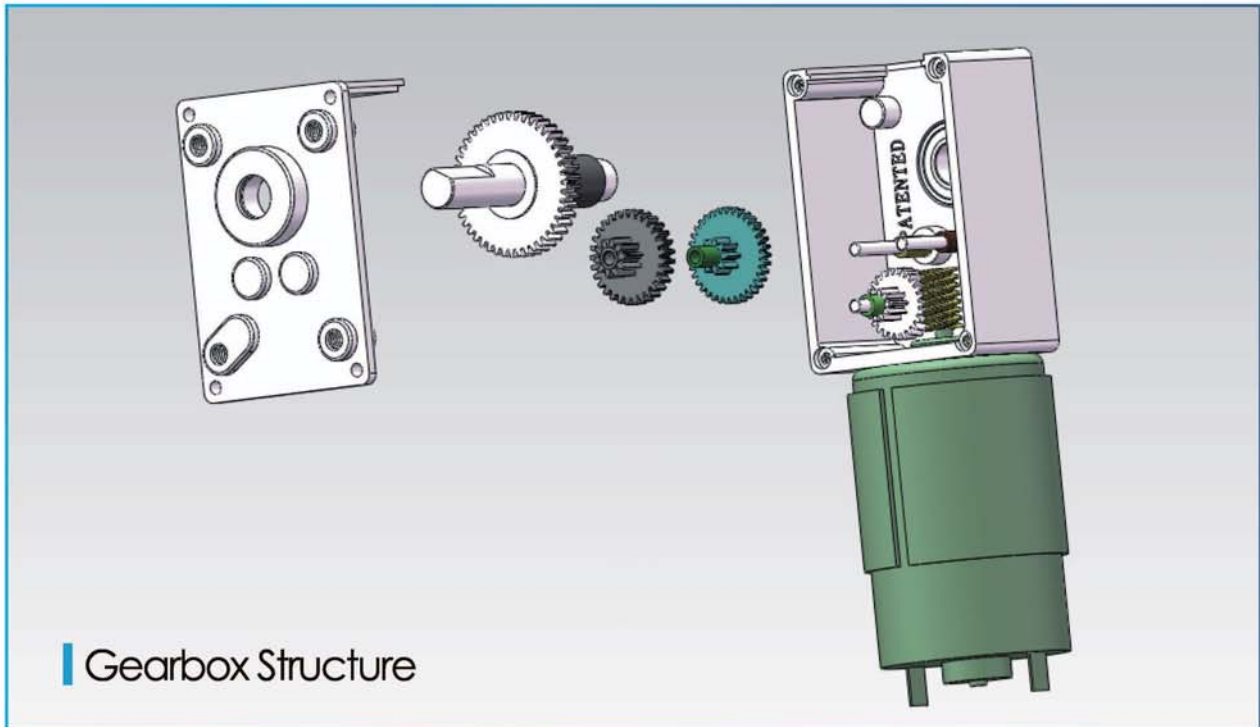
| MODEL | VOLTAGE | | NO LOAD | | AT RATED LOAD | | |
|-----------------|-----------------|---------|----------------|--------------|----------------|--------------|-----------------|
| | OPERATION RANGE | NOMINAL | SPEED r/min | CURRENT A | SPEED r/min | CURRENT A | TORQUE kg.cm |
| ET-PGM56-24187 | 18.0-24.0V | 24VDC | 187 | ≤1.0 | 150 | ≤3.5 | 12.0 |
| ET-PGM56-24150 | 18.0-24.0V | 24VDC | 150 | ≤1.0 | 120 | ≤3.5 | 16.0 |
| ET-PGM56-2447 | 18.0-24.0V | 24VDC | 47 | ≤1.0 | 37 | ≤3.5 | 46.0 |
| ET-PGM56-2437 | 18.0-24.0V | 24VDC | 37 | ≤1.0 | 30 | ≤3.5 | 58.0 |
| ET-PGM56-2430 | 18.0-24.0V | 24VDC | 30 | ≤1.0 | 24 | ≤3.5 | 73.0 |
| ET-PGM56-2424 | 18.0-24.0V | 24VDC | 24 | ≤1.0 | 19 | ≤3.5 | 90.0 |
| ET-PGM56-2411.7 | 18.0-24.0V | 24VDC | 11.7 | ≤1.0 | 9.3 | ≤3.5 | 165.0 |
| ET-PGM56-249.3 | 18.0-24.0V | 24VDC | 9.3 | ≤1.0 | 7.5 | ≤3.5 | 200.0 |
| ET-PGM56-247.5 | 18.0-24.0V | 24VDC | 7.5 | ≤1.0 | 6.0 | ≤3.5 | 200.0 |
| ET-PGM56-246.0 | 18.0-24.0V | 24VDC | 6.0 | ≤1.0 | 4.8 | ≤3.5 | 200.0 |
| ET-PGM56-242.9 | 18.0-24.0V | 24VDC | 2.9 | ≤1.0 | 2.5 | ≤3.5 | 200.0 |
| ET-PGM56-242.3 | 18.0-24.0V | 24VDC | 2.3 | ≤1.0 | 1.9 | ≤3.5 | 200.0 |
| ET-PGM56-241.8 | 18.0-24.0V | 24VDC | 1.8 | ≤1.0 | 1.6 | ≤3.5 | 200.0 |
| ET-PGM56-241.2 | 18.0-24.0V | 24VDC | 1.2 | ≤1.0 | 1.0 | ≤3.5 | 200.0 |

Remarks:

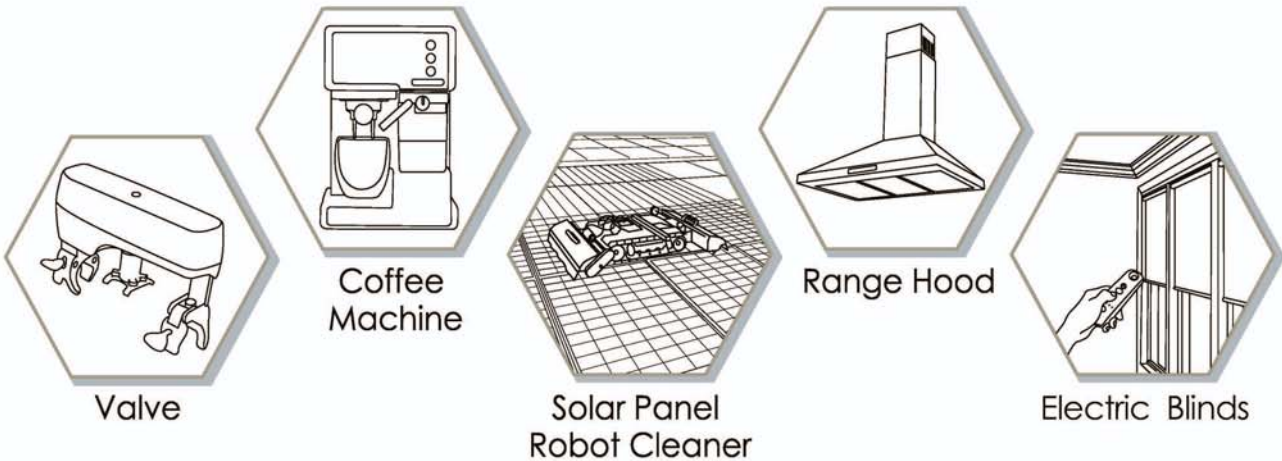
1. the voltage, speed, torque, current can be customized by changing to different motors and gear ratios.



Worm Gear Motor >>>

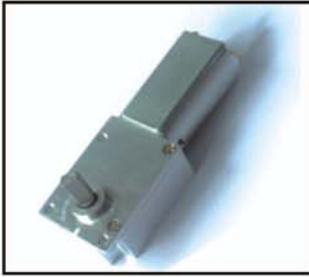


Applications



Unique Features: <<<

- High Detent Torque
- Low Noise
- 90° Output
- Low Speed
- Small Backlash



ET-WGM34-A

100PCS/Carton

High Torque Low Speed

Carton size:390*273*337mm

8.6kg/carton(Approx)

Performance Range

Voltage: 3-12VDC
 Speed: 20-120rpm
 Torque: 0.1-8kg.cm

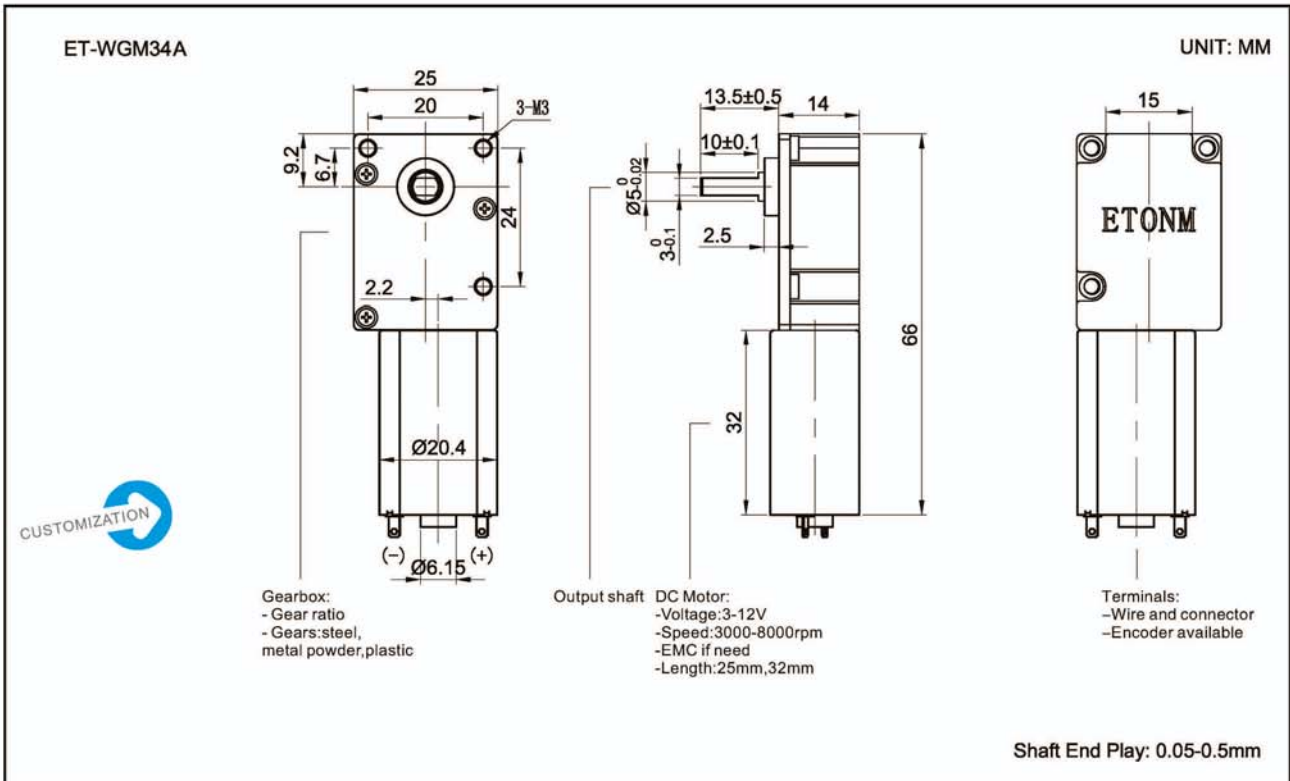
Key Features

Super Low noise
 Small Backlash
 High Detent Torque

Typical Applications

Electric Blinds, Curtain
 Electric Valve
 Robotics

| Gear Ratio Stage | 3 | 4 | 5 |
|------------------|------|-----|---|
| Gear Ratio | 65.5 | 352 | |
| | 131 | | |



| MODEL | VOLTAGE | | NO LOAD | | AT RATED LOAD | | |
|------------------|-----------------|---------|---------|---------|---------------|---------|--------|
| | OPERATION RANGE | NOMINAL | SPEED | CURRENT | SPEED | CURRENT | TORQUE |
| | | | r/min | A | r/min | A | kg.cm |
| ET-WGM34A-0675 | 15.0-28.0 | 6VDC | 75 | ≤0.08 | 64 | ≤0.3 | 0.43 |
| ET-WGM34A-0637.7 | 15.0-28.0 | 6VDC | 37.7 | ≤0.08 | 30 | ≤0.3 | 0.86 |
| ET-WGM34A-1291.6 | 15.0-28.0 | 12VDC | 91.6 | ≤0.07 | 76 | ≤0.2 | 0.67 |
| ET-WGM34A-1245.8 | 15.0-28.0 | 12VDC | 45.8 | ≤0.07 | 38 | ≤0.2 | 1.3 |

Remarks:

1. the voltage, speed, torque, current can be customized by changing to different motors and gear ratios.





ET-WGM46

100PCS/Carton

High Torque Low Speed

Carton size:484*270*275mm

17kg/carton(Approx)

Performance Range

Voltage: 3-24VDC
 Speed: 1-160rpm
 Torque: 1-30kg.cm

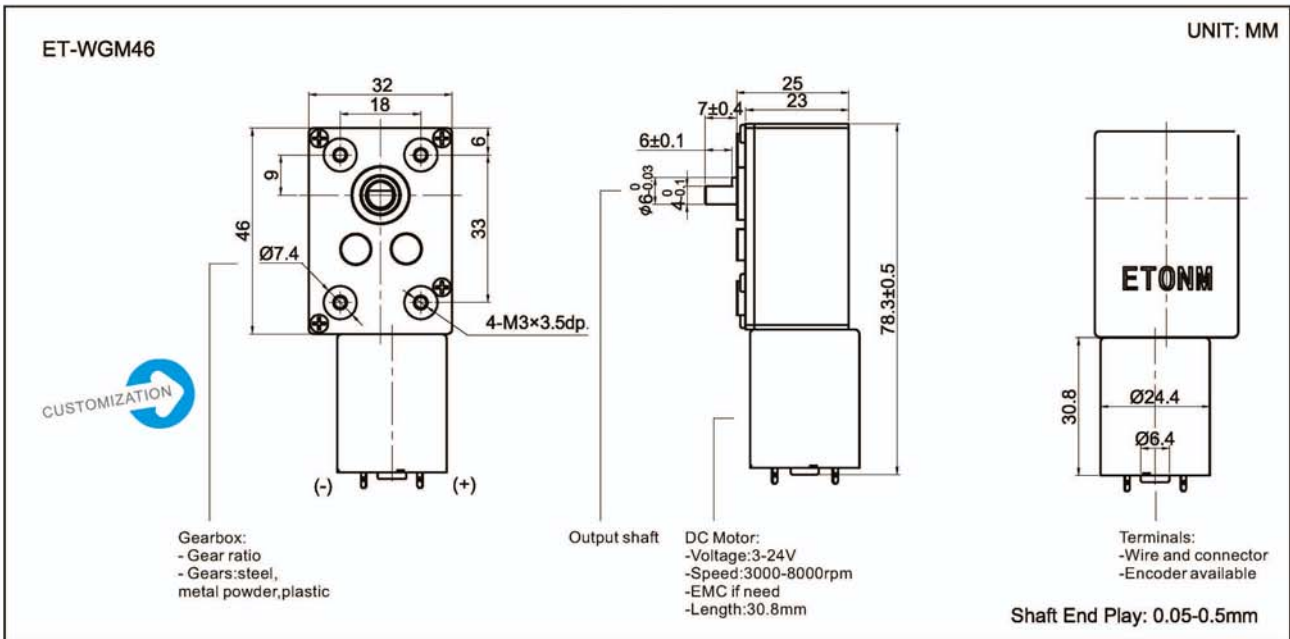
Key Features

Super Low noise
 Small Backlash
 High Detent Torque

Typical Applications

Electric Blinds, Curtain
 Electric Valve
 Robotics

| Gear Ratio Stage | 3 | 4 | 5 |
|------------------|-----|-----|------|
| Gear Ratio | 49 | 350 | 1250 |
| | 102 | 700 | 1587 |
| | 158 | | 2450 |
| | 205 | | |
| | 317 | | |



| MODEL | VOLTAGE | | NO LOAD | | AT RATED LOAD | | |
|----------------|-----------------|---------|---------|---------|---------------|---------|--------|
| | OPERATION RANGE | NOMINAL | SPEED | CURRENT | SPEED | CURRENT | TORQUE |
| | | | r/min | A | r/min | A | kg.cm |
| ET-WGM46-2430 | 15.0-28.0 | 24VDC | 30 | ≤0.4 | 27 | ≤0.13 | 2.7 |
| ET-WGM46-2419 | 15.0-28.0 | 24VDC | 19 | ≤0.4 | 15.8 | ≤0.13 | 4.0 |
| ET-WGM46-248.5 | 15.0-28.0 | 24VDC | 8.5 | ≤0.4 | 7 | ≤0.13 | 8.5 |
| ET-WGM46-243.8 | 15.0-28.0 | 24VDC | 3.8 | ≤0.4 | 3 | ≤0.13 | 18 |
| ET-WGM46-242.5 | 15.0-28.0 | 24VDC | 2.5 | ≤0.4 | 2 | ≤0.13 | 27 |
| ET-WGM46-1230 | 8.0-14.0 | 12VDC | 30 | ≤0.06 | 27 | ≤0.22 | 2.7 |
| ET-WGM46-1219 | 8.0-14.0 | 12VDC | 19 | ≤0.06 | 15.8 | ≤0.22 | 4.0 |
| ET-WGM46-128.5 | 8.0-14.0 | 12VDC | 8.5 | ≤0.06 | 7 | ≤0.22 | 8.5 |
| ET-WGM46-123.8 | 8.0-14.0 | 12VDC | 3.8 | ≤0.06 | 3 | ≤0.22 | 18 |
| ET-WGM46-122.5 | 8.0-14.0 | 12VDC | 2.5 | ≤0.06 | 2 | ≤0.22 | 27 |

Remarks:

1. the voltage, speed, torque, current can be customized by changing to different motors and gear ratios.

WORM GEAR MOTOR





ET-WGM58A

30PCS/Carton

High Torque Low Speed

Carton size:530*205*175mm

14.5kg/carton(Approx)

Performance Range

Voltage: 12-24VDC
 Speed: 1-100rpm
 Torque: 1-80kg.cm

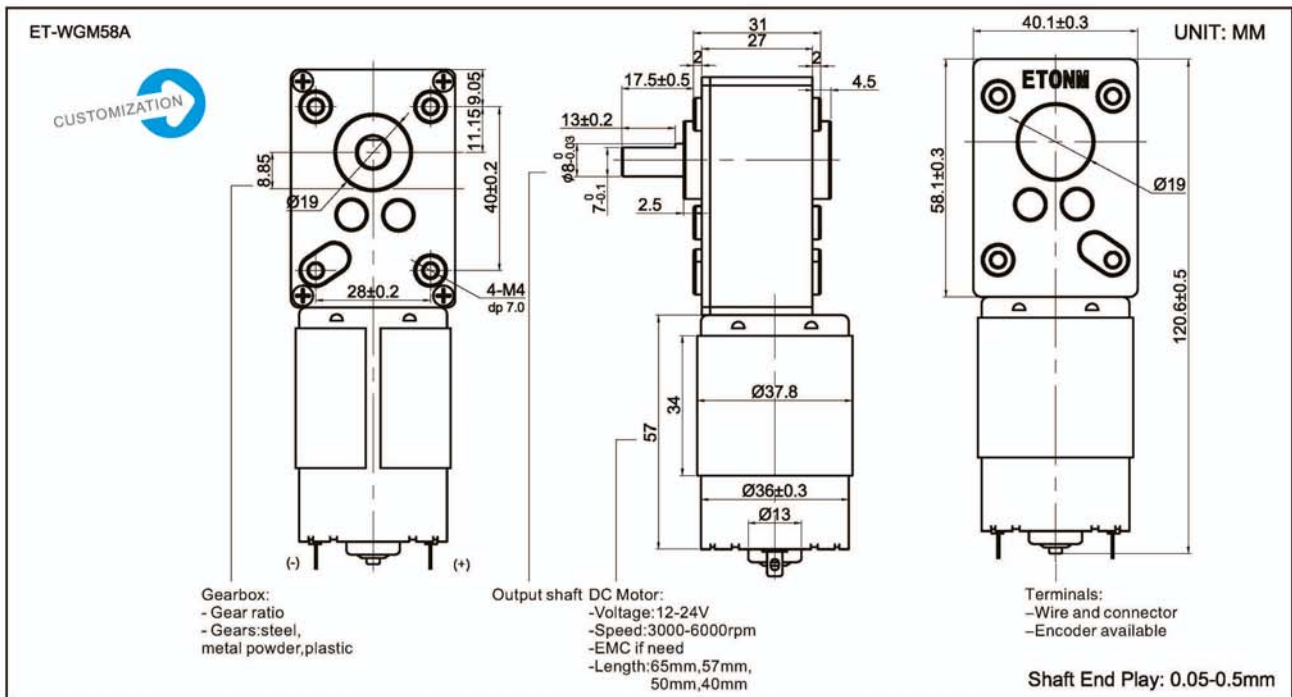
Key Features

Super Low noise
 Small Backlash
 High Detent Torque

Typical Applications

Electric Blinds, Curtain
 Electric Valve
 Robotics

| Gear Ratio Stage | 3 | 4 | 5 |
|------------------|---------|---------|---|
| Gear Ratio | 39,49 | 217 | |
| | 74 | 291,376 | |
| | 100 | 506 | |
| | 135 | 634 | |
| | 149,188 | 1269 | |



| MODEL | VOLTAGE | | NO LOAD | | AT RATED LOAD | | |
|------------------|-----------------|---------|---------|---------|---------------|---------|--------|
| | OPERATION RANGE | NOMINAL | SPEED | CURRENT | SPEED | CURRENT | TORQUE |
| | | | r/min | A | r/min | A | kg.cm |
| ET-WGM58A-24122 | 18.0-28.0 | 24VDC | 122 | ≤0.25 | 106 | ≤0.95 | 10 |
| ET-WGM58A-2481 | 18.0-28.0 | 24VDC | 81 | ≤0.25 | 70 | ≤0.95 | 14 |
| ET-WGM58A-2460 | 18.0-28.0 | 24VDC | 60 | ≤0.25 | 52 | ≤0.95 | 24 |
| ET-WGM58A-2427.6 | 18.0-28.0 | 24VDC | 27.6 | ≤0.25 | 24 | ≤0.95 | 37 |
| ET-WGM58A-2420.6 | 18.0-28.0 | 24VDC | 20.6 | ≤0.25 | 17.8 | ≤0.95 | 50 |
| ET-WGM58A-2411.8 | 18.0-28.0 | 24VDC | 11.8 | ≤0.25 | 10.2 | ≤0.95 | 80* |
| ET-WGM58A-249.5 | 18.0-28.0 | 24VDC | 9.5 | ≤0.25 | 8.2 | ≤0.95 | 80* |
| ET-WGM58A-1210.3 | 10.0-15.0 | 12VDC | 10.3 | ≤0.16 | 8 | ≤0.6 | 32 |
| ET-WGM58A-125.9 | 10.0-15.0 | 12VDC | 5.9 | ≤0.16 | 4.5 | ≤0.6 | 49 |
| ET-WGM58A-124.6 | 10.0-15.0 | 12VDC | 4.6 | ≤0.16 | 3.6 | ≤0.6 | 61 |
| ET-WGM58A-122.4 | 10.0-15.0 | 12VDC | 2.4 | ≤0.16 | 1.7 | ≤0.6 | 70 |

Remarks:

1. the voltage, speed, torque, current can be customized by changing to different motors and gear ratios.





ET-WGM58-B

30PCS/Carton

High Torque Low Speed

Carton size:530*205*175mm

11.7kg/carton(Approx)

Performance Range

Voltage: 12-24VDC
 Speed: 1-100rpm
 Torque: 1-80kg.cm

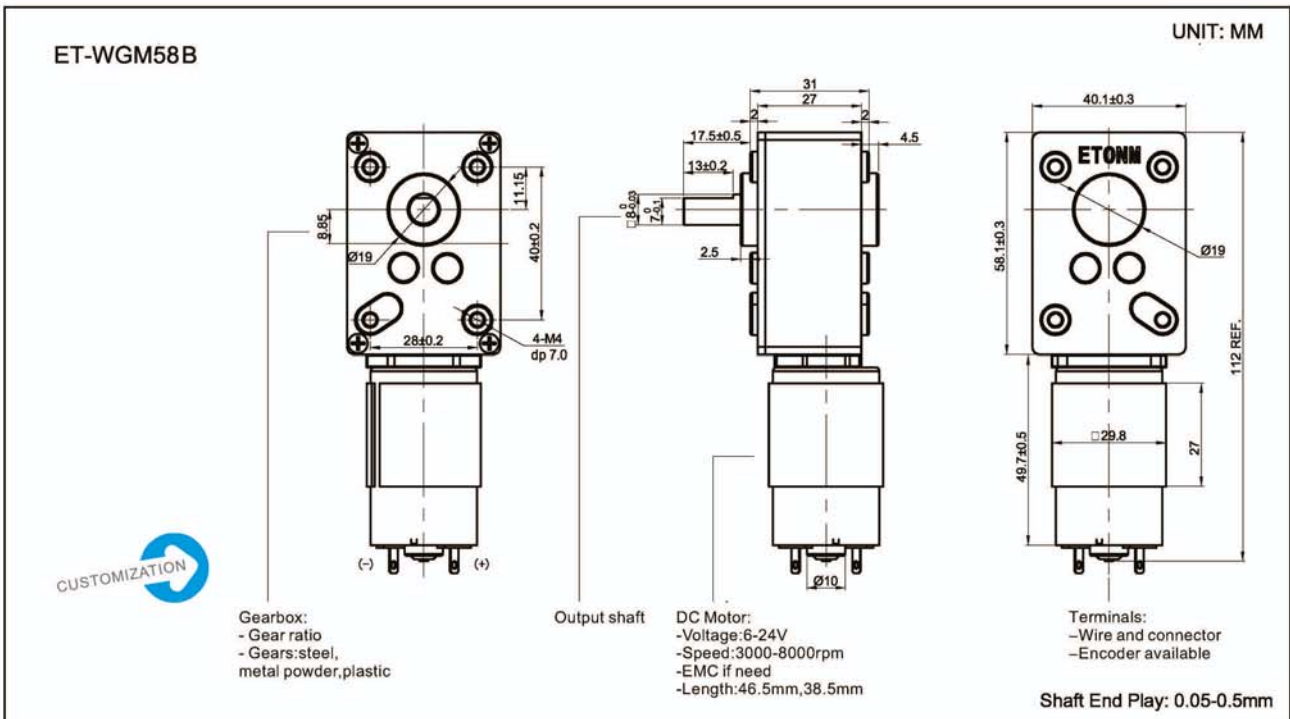
Key Features

Super Low noise
 Small Backlash
 High Detent Torque

Typical Applications

Electric Blinds, Curtain
 Electric Valve
 Robotics

| Gear Ratio Stage | 3 | 4 | 5 |
|------------------|---------|---------|---|
| Gear Ratio | 39,49 | 217 | |
| | 74 | 291,376 | |
| | 100 | 506 | |
| | 135 | 634 | |
| | 149,188 | 1269 | |



| MODEL | VOLTAGE | | NO LOAD | | AT RATED LOAD | | |
|------------------|-----------------|---------|---------|---------|---------------|---------|--------|
| | OPERATION RANGE | NOMINAL | SPEED | CURRENT | SPEED | CURRENT | TORQUE |
| | | | r/min | A | r/min | A | kg.cm |
| ET-WGM58B-1271.4 | 9.0-14.0 | 12VDC | 71.4 | ≤0.20 | 53 | ≤0.55 | 4 |
| ET-WGM58B-1247 | 9.0-14.0 | 12VDC | 47 | ≤0.20 | 35 | ≤0.55 | 6 |
| ET-WGM58B-1235 | 9.0-14.0 | 12VDC | 35 | ≤0.20 | 26 | ≤0.55 | 8 |
| ET-WGM58B-1216 | 9.0-14.0 | 12VDC | 16 | ≤0.20 | 12 | ≤0.55 | 17 |
| ET-WGM58B-1212 | 9.0-14.0 | 12VDC | 12 | ≤0.20 | 8.9 | ≤0.55 | 23 |
| ET-WGM58B-126.9 | 9.0-14.0 | 12VDC | 6.9 | ≤0.20 | 5 | ≤0.55 | 36 |
| ET-WGM58B-125.5 | 9.0-14.0 | 12VDC | 5.5 | ≤0.20 | 4 | ≤0.55 | 46 |
| ET-WGM58B-122.7 | 9.0-14.0 | 12VDC | 2.7 | ≤0.20 | 2 | ≤0.55 | 80 |

Remarks:

1. the voltage, speed, torque, current can be customized by changing to different motors and gear ratios.

WORM GEAR MOTOR





ET-WGM58-C

30PCS/Carton

High Torque Low Speed

Carton size:530*205*175mm

12.7kg/carton(Approx)

Performance Range

Voltage: 12-24VDC
 Speed: 1-100rpm
 Torque: 1-80kg.cm

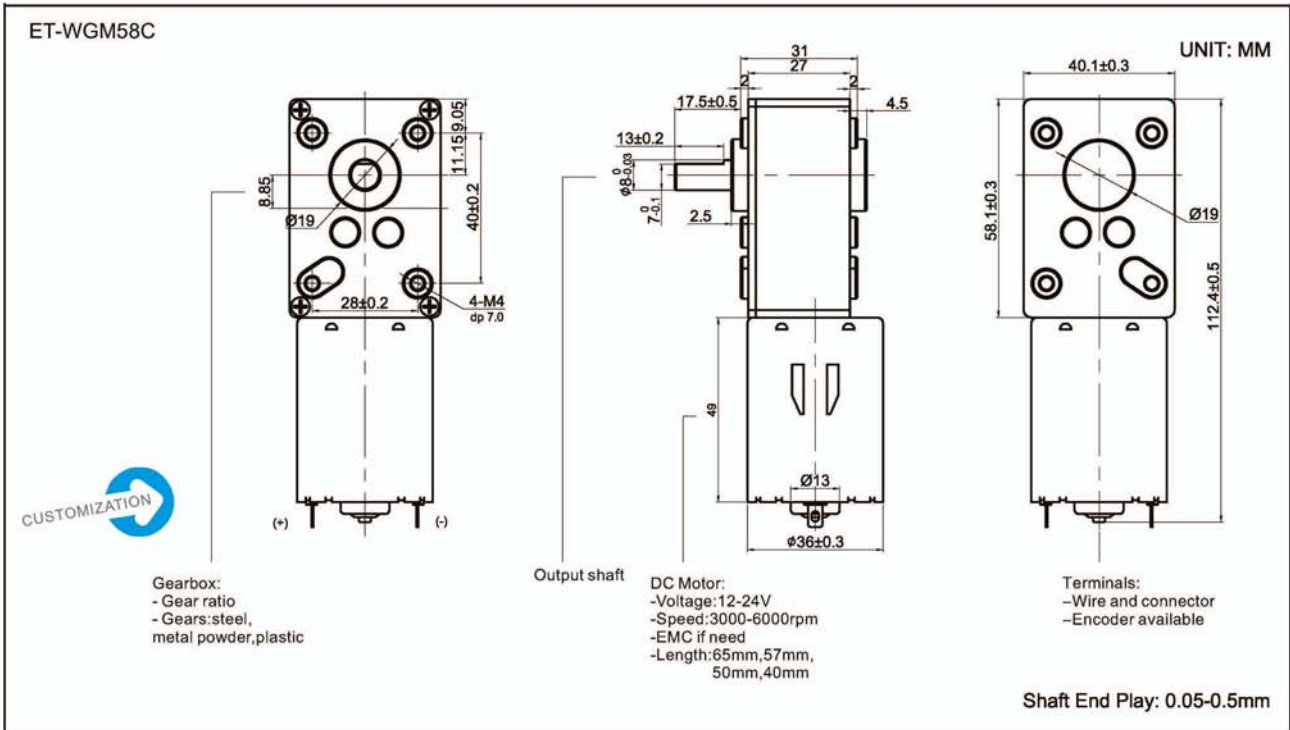
Key Features

Super Low noise
 Small Backlash
 High Detent Torque

Typical Applications

Electric Blinds, Curtain
 Electric Valve
 Robotics

| Gear Ratio Stage | 3 | 4 | 5 |
|------------------|---------|---------|---|
| Gear Ratio | 39,49 | 217 | |
| | 74 | 291,376 | |
| | 100 | 506 | |
| | 135 | 634 | |
| | 149,188 | 1269 | |



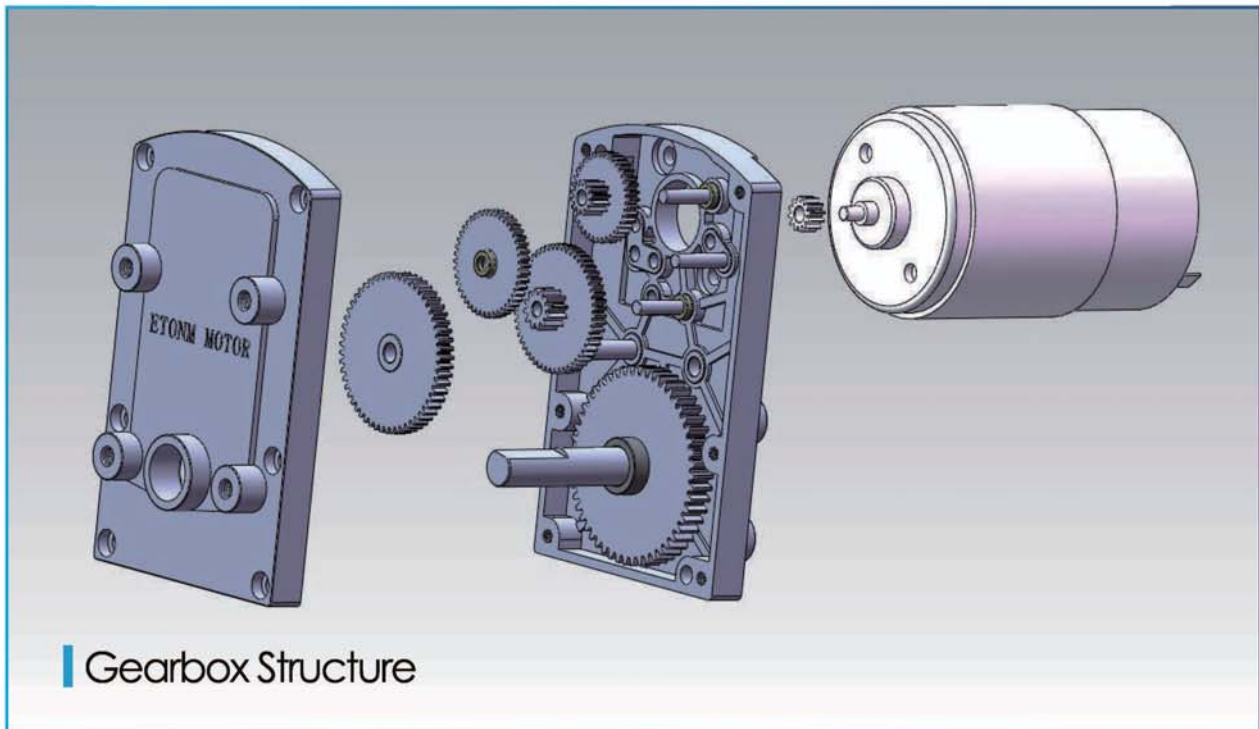
| MODEL | VOLTAGE | | NO LOAD | | AT RATED LOAD | | |
|------------------|-----------------|---------|---------|---------|---------------|---------|--------|
| | OPERATION RANGE | NOMINAL | SPEED | CURRENT | SPEED | CURRENT | TORQUE |
| | | | r/min | A | r/min | A | kg.cm |
| ET-WGM58C-1292 | 9.0-14.0 | 12VDC | 92 | ≤0.30 | 78 | ≤0.85 | 5 |
| ET-WGM58C-1261 | 9.0-14.0 | 12VDC | 61 | ≤0.30 | 50 | ≤0.85 | 8 |
| ET-WGM58C-1245 | 9.0-14.0 | 12VDC | 45 | ≤0.30 | 37 | ≤0.85 | 11 |
| ET-WGM58C-1220 | 9.0-14.0 | 12VDC | 20 | ≤0.30 | 17 | ≤0.85 | 24 |
| ET-WGM58C-1215.5 | 9.0-14.0 | 12VDC | 15.5 | ≤0.30 | 12.5 | ≤0.85 | 33 |
| ET-WGM58C-128.9 | 9.0-14.0 | 12VDC | 8.9 | ≤0.30 | 7 | ≤0.85 | 50 |
| ET-WGM58C-1207 | 9.0-14.0 | 12VDC | 7 | ≤0.30 | 5.8 | ≤0.85 | 62 |
| ET-WGM58C-123.5 | 9.0-14.0 | 12VDC | 3.5 | ≤0.30 | 2.9 | ≤0.85 | 80* |

Remarks:

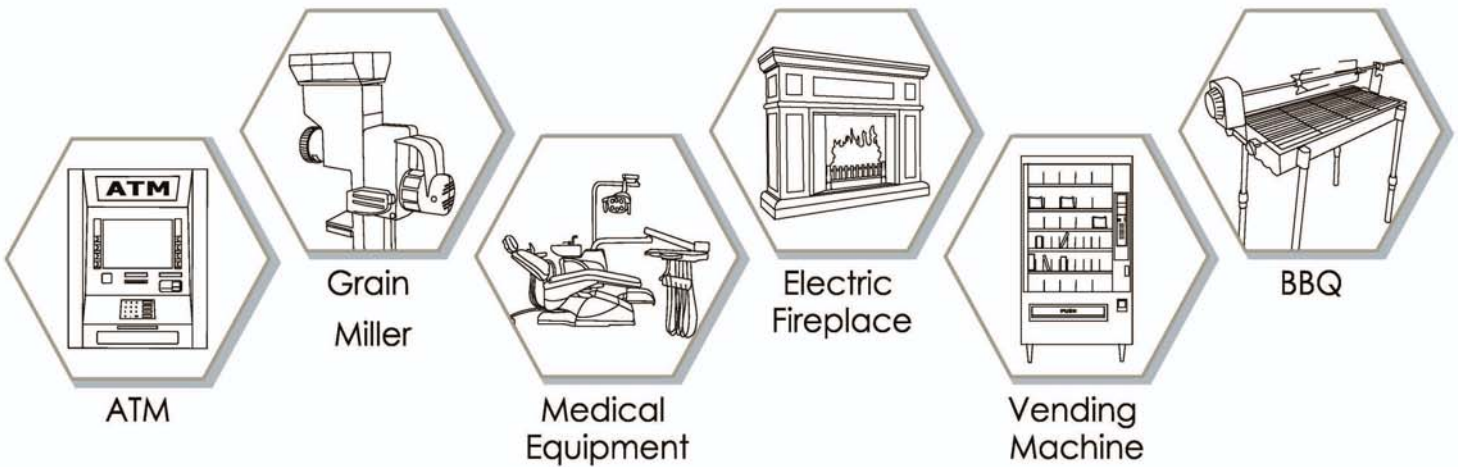
1. the voltage, speed, torque, current can be customized by changing to different motors and gear ratios.



Flat Gearbox Motor >>>



Applications



Unique Features: <<<

- High Torque
- Low Speed
- Manual Back Drive



ET-CGM64

100PCS/ Carton

High Torque Low Speed

Carton size: 415*335*250mm

16kg/carton (Approx)

Performance Range

Voltage: 3-24VDC
 Speed: 3-250rpm
 Torque: 1-10kg.cm

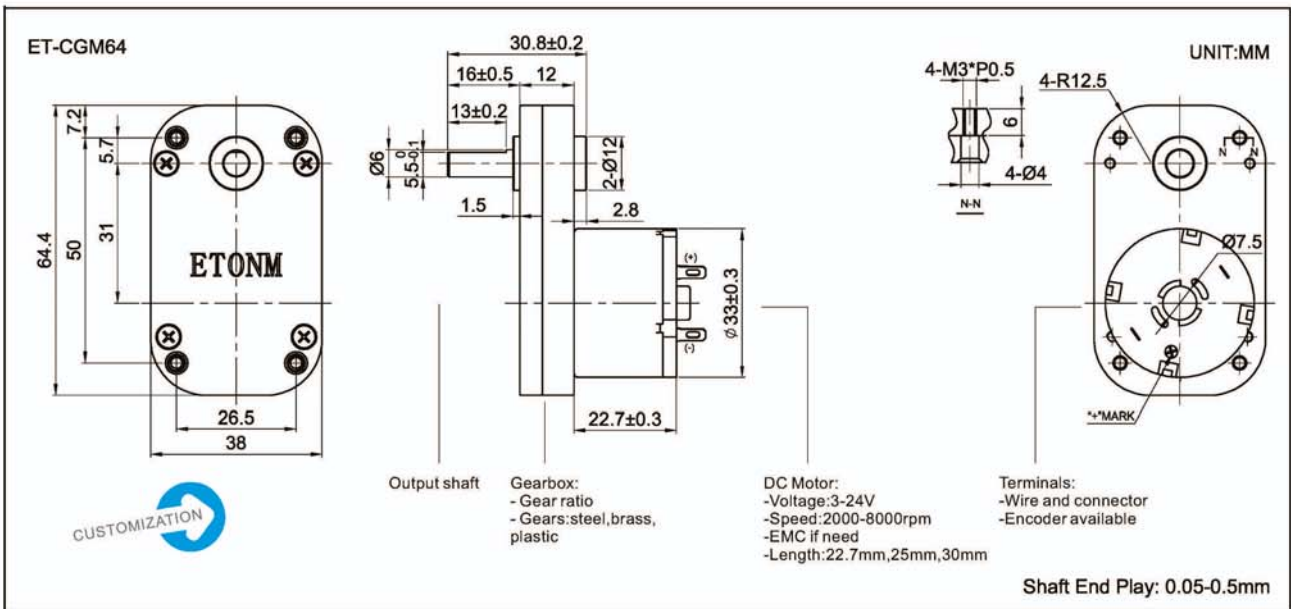
Key Features

High Torque Small Size
 Low Speed and Noise
 CW/CCW Running

Typical Applications

Electric Valve and Robotics
 Banking and Vending System
 Smart Home Appliances

| Gear Ratio Stage | 3 | 4 | 5 | 6 |
|------------------|------|-------|-----|-------|
| | 30.7 | 54 | 234 | 534.5 |
| Gear Ratio | | 72 | 292 | 662.5 |
| | | 105.5 | | 828 |



| MODEL | VOLTAGE | | NO LOAD | | AT RATED LAOD | | |
|-----------------|-----------------|---------|---------|---------|---------------|---------|--------|
| | OPERATION RANGE | NOMINAL | SPEED | CURRENT | SPEED | CURRENT | TORQUE |
| | | | r/min | A | r/min | A | kg.cm |
| ET-CGM64-0697.7 | 4.5-7.5 | 6VDC | 97.7 | ≤0.055 | 78 | ≤0.11 | 0.2 |
| ET-CGM64-0628.5 | 4.5-7.5 | 6VDC | 28.5 | ≤0.055 | 22.7 | ≤0.11 | 0.7 |
| ET-CGM64-0612.8 | 4.5-7.5 | 6VDC | 12.8 | ≤0.055 | 10 | ≤0.11 | 1.5 |
| ET-CGM64-0610 | 4.5-7.5 | 6VDC | 10 | ≤0.055 | 8 | ≤0.11 | 1.9 |
| ET-CGM64-065.6 | 4.5-7.5 | 6VDC | 5.6 | ≤0.055 | 4.4 | ≤0.11 | 3.2 |
| ET-CGM64-064.5 | 4.5-7.5 | 6VDC | 4.5 | ≤0.055 | 3.6 | ≤0.11 | 3.9 |
| ET-CGM64-063.6 | 4.5-7.5 | 6VDC | 3.6 | ≤0.055 | 2.9 | ≤0.11 | 8.2 |
| ET-CGM64-12195 | 9.0-14.0 | 12VDC | 195 | ≤0.08 | 156 | ≤0.25 | 0.9 |
| ET-CGM64-1257 | 9.0-14.0 | 12VDC | 57 | ≤0.08 | 45 | ≤0.25 | 2.6 |
| ET-CGM64-1225.6 | 9.0-14.0 | 12VDC | 25.6 | ≤0.08 | 20 | ≤0.25 | 6.0 |
| ET-CGM64-1211.2 | 9.0-14.0 | 12VDC | 11.2 | ≤0.08 | 8.9 | ≤0.25 | 13.0 |

Remarks:

1. the voltage, speed, torque, current can be customized by changing to different motors and gear ratios.





ET-CGM73

30PCS/Carton

High Torque Low Speed

Carton size:465*310*195mm

12.5kg/carton(Approx)

Performance Range

Voltage: 6-24VDC
 Speed: 1-400rpm
 Torque: 0.1-60kg.cm

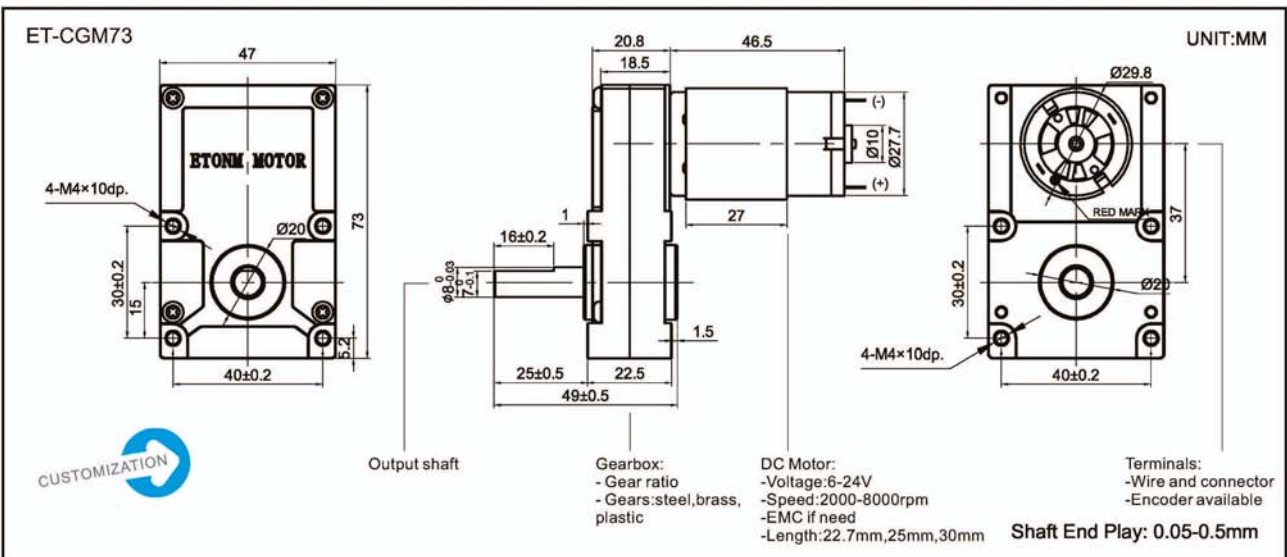
Key Features

High Torque Small Size
 CW/CCW Running
 Precise Metal Gears

Typical Applications

Home and Office Automation
 Equipment and Apparatus
 Pump

| Gear Ratio Stage | 2 | 3 | 4 | 5 | 6 |
|------------------|----|----|-----|-----|------|
| Gear Ratio | 15 | 36 | 66 | 295 | 552 |
| | | 51 | 93 | 363 | 615 |
| | | | 123 | 404 | 680 |
| | | | 170 | 458 | 757 |
| | | | | 510 | 859 |
| | | | | | 957 |
| | | | | | 1113 |



| MODEL | VOLTAGE | | NO LOAD | | AT RATED LOAD | | |
|----------------|-----------------|---------|----------------|--------------|----------------|--------------|-----------------|
| | OPERATION RANGE | NOMINAL | SPEED r/min | CURRENT A | SPEED r/min | CURRENT A | TORQUE kg.cm |
| ET-CGM73-12390 | 9.0-14.0V | 12VDC | 390 | ≤0.22 | 330 | ≤0.88 | 1.1 |
| ET-CGM73-12165 | 9.0-14.0V | 12VDC | 165 | ≤0.22 | 138 | ≤0.88 | 2.4 |
| ET-CGM73-1290 | 9.0-14.0V | 12VDC | 90 | ≤0.22 | 75 | ≤0.88 | 5.0 |
| ET-CGM73-1262 | 9.0-14.0V | 12VDC | 62 | ≤0.22 | 51 | ≤0.88 | 5.5 |
| ET-CGM73-1246 | 9.0-14.0V | 12VDC | 46 | ≤0.22 | 40 | ≤0.88 | 7.0 |
| ET-CGM73-1234 | 9.0-14.0V | 12VDC | 34 | ≤0.22 | 28 | ≤0.88 | 10.0 |
| ET-CGM73-1220 | 9.0-14.0V | 12VDC | 20 | ≤0.22 | 16 | ≤0.88 | 15.0 |
| ET-CGM73-1216 | 9.0-14.0V | 12VDC | 16 | ≤0.22 | 13 | ≤0.88 | 19.0 |
| ET-CGM73-1214 | 9.0-14.0V | 12VDC | 14 | ≤0.22 | 12 | ≤0.88 | 21.0 |
| ET-CGM73-1211 | 9.0-14.0V | 12VDC | 11 | ≤0.22 | 9.0 | ≤0.88 | 26.0 |
| ET-CGM73-129.5 | 9.0-14.0V | 12VDC | 9.5 | ≤0.22 | 8.0 | ≤0.88 | 28.0 |
| ET-CGM73-127.6 | 9.0-14.0V | 12VDC | 7.6 | ≤0.22 | 6.3 | ≤0.88 | 35.0 |
| ET-CGM73-1206 | 9.0-14.0V | 12VDC | 6.0 | ≤0.22 | 5.0 | ≤0.88 | 40.0 |
| ET-CGM73-125.2 | 9.0-14.0V | 12VDC | 5.2 | ≤0.22 | 4.2 | ≤0.88 | 40.0 |

Remarks:

1. the voltage, speed, torque, current can be customized by changing to different motors and gear ratios.

FLAT GEARBOX MOTOR





ET-CGM95-A

20PCS/Carton

High Torque Low Speed

Carton size:530*250*180mm

15kg/carton(Approx)

Performance Range

Voltage: 12-24VDC
 Speed: 1-170rpm
 Torque: 1-120kg.cm

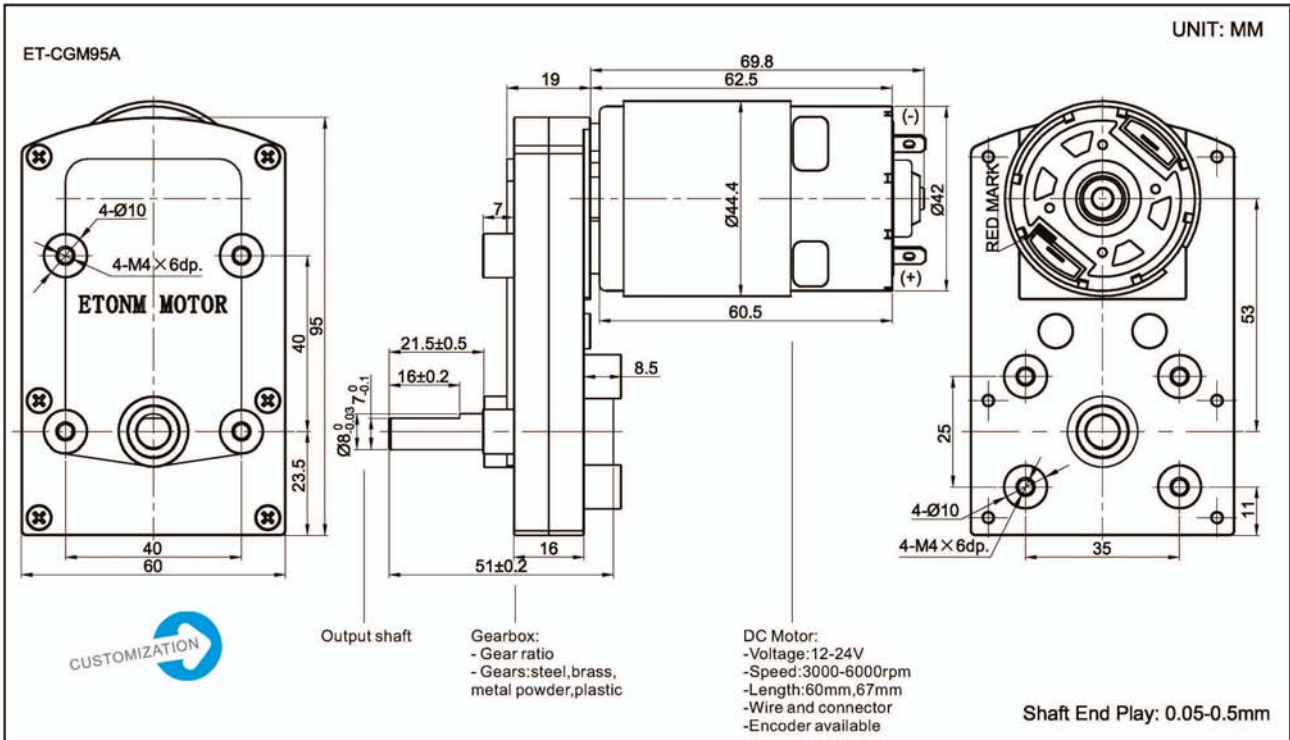
Key Features

High Torque Small Size
 Large Speed Range
 CW/CCW Running

Typical Applications

Home Appliances
 Banking and Vending System
 Electric Valve and Robotics

| Gear Ratio Stage | 3 | 4 | 5 |
|------------------|----|-----|------|
| | 37 | 162 | 594 |
| | 60 | 197 | 651 |
| Gear Ratio | 86 | 265 | 973 |
| | | 315 | 1059 |



| MODEL | VOLTAGE | | NO LOAD | | AT RATED LOAD | | |
|-----------------|-----------------|---------|---------|---------|---------------|---------|--------|
| | OPERATION RANGE | NOMINAL | SPEED | CURRENT | SPEED | CURRENT | TORQUE |
| | | | r/min | A | r/min | A | kg.cm |
| ET-CGM95A-12162 | 10.0-14.0 | 12VDC | 162 | ≤0.9 | 124 | ≤3.9 | 19 |
| ET-CGM95A-12100 | 10.0-14.0 | 12VDC | 100 | ≤0.9 | 76 | ≤3.9 | 30 |
| ET-CGM95A-1270 | 10.0-14.0 | 12VDC | 70 | ≤0.9 | 52 | ≤3.9 | 43 |
| ET-CGM95A-1237 | 10.0-14.0 | 12VDC | 37 | ≤0.9 | 27 | ≤3.9 | 74 |
| ET-CGM95A-1223 | 10.0-14.0 | 12VDC | 23 | ≤0.9 | 16 | ≤3.9 | 120 |
| ET-CGM95A-1219 | 10.0-14.0 | 12VDC | 19 | ≤0.9 | 13.5 | ≤3.9 | 120* |
| ET-CGM95A-1210 | 10.0-14.0 | 12VDC | 10 | ≤0.9 | 7 | ≤3.9 | 120* |
| ET-CGM95A-1209 | 10.0-14.0 | 12VDC | 9 | ≤0.9 | 6 | ≤3.9 | 120* |
| ET-CGM95A-1206 | 10.0-14.0 | 12VDC | 6 | ≤0.9 | 4 | ≤3.9 | 120* |
| ET-CGM95A-125.6 | 10.0-14.0 | 12VDC | 5.6 | ≤0.9 | 3.6 | ≤3.9 | 120* |

Remarks:

1. the voltage, speed, torque, current can be customized by changing to different motors and gear ratios.





ET-CGM95-B

20PCS/Carton

High Torque Low Speed

Carton size:530*250*180mm

13kg/carton(Approx)

Performance Range

Voltage: 12-24VDC
 Speed: 1-170rpm
 Torque: 1-100kg.cm

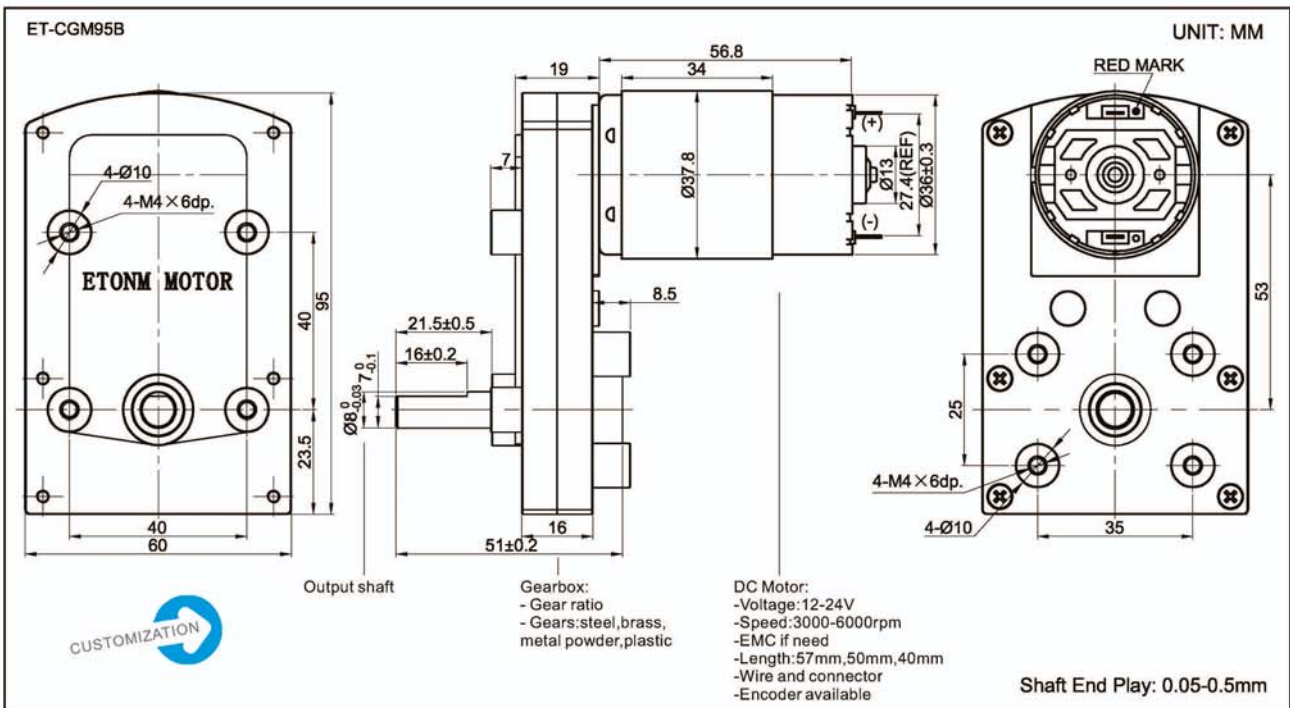
Key Features

High Torque Small Size
 Large Speed Range
 CW/CCW Running

Typical Applications

Home Appliances
 Banking and Vending System
 Electric Valve and Robotics

| Gear Ratio Stage | 3 | 4 | 5 |
|------------------|----|-----|------|
| | 37 | 162 | 543 |
| | 60 | 197 | 594 |
| Gear Ratio | 86 | 265 | 973 |
| | | 315 | 1059 |



FLAT GEARBOX MOTOR

| MODEL | VOLTAGE | | NO LOAD | | AT RATED LOAD | | |
|-----------------|-----------------|---------|---------|---------|---------------|---------|--------|
| | OPERATION RANGE | NOMINAL | SPEED | CURRENT | SPEED | CURRENT | TORQUE |
| | | | r/min | A | r/min | A | kg.cm |
| ET-CGM95B-24162 | 18.0-28.0 | 24VDC | 162 | ≤0.2 | 135 | ≤1.0 | 7 |
| ET-CGM95B-24100 | 18.0-28.0 | 24VDC | 100 | ≤0.2 | 83 | ≤1.0 | 11 |
| ET-CGM95B-2470 | 18.0-28.0 | 24VDC | 70 | ≤0.2 | 58 | ≤1.0 | 16 |
| ET-CGM95B-2437 | 18.0-28.0 | 24VDC | 37 | ≤0.2 | 30 | ≤1.0 | 30 |
| ET-CGM95B-2423 | 18.0-28.0 | 24VDC | 23 | ≤0.2 | 19 | ≤1.0 | 47 |
| ET-CGM95B-2419 | 18.0-28.0 | 24VDC | 19 | ≤0.2 | 15.7 | ≤1.0 | 58 |
| ET-CGM95B-2410 | 18.0-28.0 | 24VDC | 10 | ≤0.2 | 8.3 | ≤1.0 | 96 |
| ET-CGM95B-2409 | 18.0-28.0 | 24VDC | 9 | ≤0.2 | 7.4 | ≤1.0 | 96 |
| ET-CGM95B-2406 | 18.0-28.0 | 24VDC | 6 | ≤0.2 | 5 | ≤1.0 | 120* |
| ET-CGM95B-245.6 | 18.0-28.0 | 24VDC | 5.6 | ≤0.2 | 4.5 | ≤1.0 | 120* |

Remarks:

1. the voltage, speed, torque, current can be customized by changing to different motors and gear ratios.





ET-CGM95-C

20PCS/Carton

High Torque Low Speed

Carton size:530*250*180mm

11kg/carton(Approx)

Performance Range

Voltage: 12-24VDC
 Speed: 1-170rpm
 Torque: 1-80kg.cm

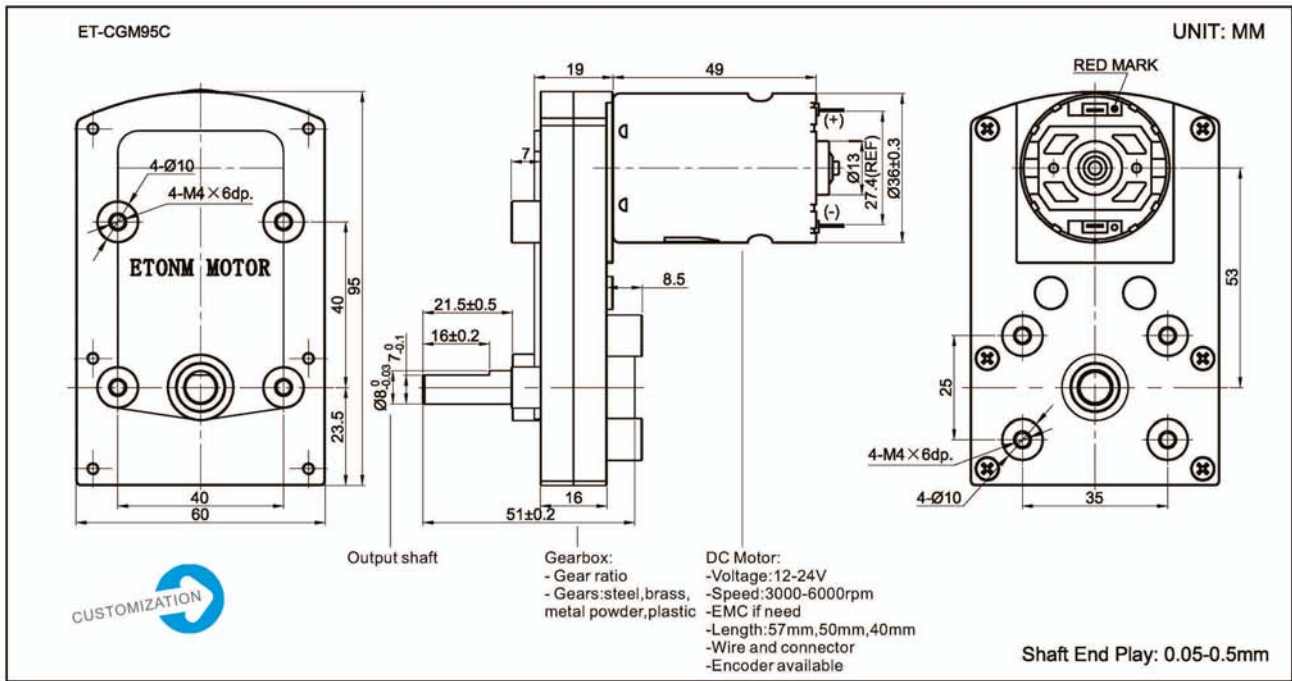
Key Features

High Torque Small Size
 Large Speed Range
 CW/CCW Running

Typical Applications

Home Appliances
 Banking and Vending System
 Electric Valve and Robotics

| Gear Ratio Stage | 3 | 4 | 5 |
|------------------|----|-----|------|
| | 37 | 162 | 594 |
| | 60 | 197 | 651 |
| Gear Ratio | 86 | 265 | 973 |
| | | 315 | 1059 |



| MODEL | VOLTAGE | | NO LOAD | | AT RATED LOAD | | |
|-----------------|-----------------|---------|---------|---------|---------------|---------|--------|
| | OPERATION RANGE | NOMINAL | SPEED | CURRENT | SPEED | CURRENT | TORQUE |
| | | | r/min | A | r/min | A | kg.cm |
| ET-CGM95C-12162 | 10.0-14.0 | 12VDC | 162 | ≤0.32 | 137 | ≤1.3 | 4.6 |
| ET-CGM95C-12100 | 10.0-14.0 | 12VDC | 100 | ≤0.32 | 85 | ≤1.3 | 7.4 |
| ET-CGM95C-1270 | 10.0-14.0 | 12VDC | 70 | ≤0.32 | 59 | ≤1.3 | 10 |
| ET-CGM95C-1237 | 10.0-14.0 | 12VDC | 37 | ≤0.32 | 31 | ≤1.3 | 18 |
| ET-CGM95C-1223 | 10.0-14.0 | 12VDC | 23 | ≤0.32 | 20 | ≤1.3 | 30 |
| ET-CGM95C-1219 | 10.0-14.0 | 12VDC | 19 | ≤0.32 | 16 | ≤1.3 | 35 |
| ET-CGM95C-1210 | 10.0-14.0 | 12VDC | 10 | ≤0.32 | 8.6 | ≤1.3 | 60 |
| ET-CGM95C-0650 | 6.0-12.0 | 6VDC | 50 | ≤0.17 | 42 | ≤0.8 | 3.5 |
| ET-CGM95C-0635 | 6.0-12.0 | 6VDC | 35 | ≤0.17 | 29 | ≤0.8 | 5.6 |
| ET-CGM95C-0618 | 6.0-12.0 | 6VDC | 18 | ≤0.17 | 15 | ≤0.8 | 9.6 |
| ET-CGM95C-0603 | 6.0-12.0 | 6VDC | 3 | ≤0.17 | 2.5 | ≤0.8 | 52 |

Remarks:

1. the voltage, speed, torque, current can be customized by changing to different motors and gear ratios.



FLAT GEARBOX MOTOR



ET-CGM95-F

20PCS/Carton

High Torque Low Speed

Carton size:530*250*180mm

11kg/carton(Approx)

Performance Range

Voltage: 6-24VDC
 Speed: 1-170rpm
 Torque: 1-50kg.cm

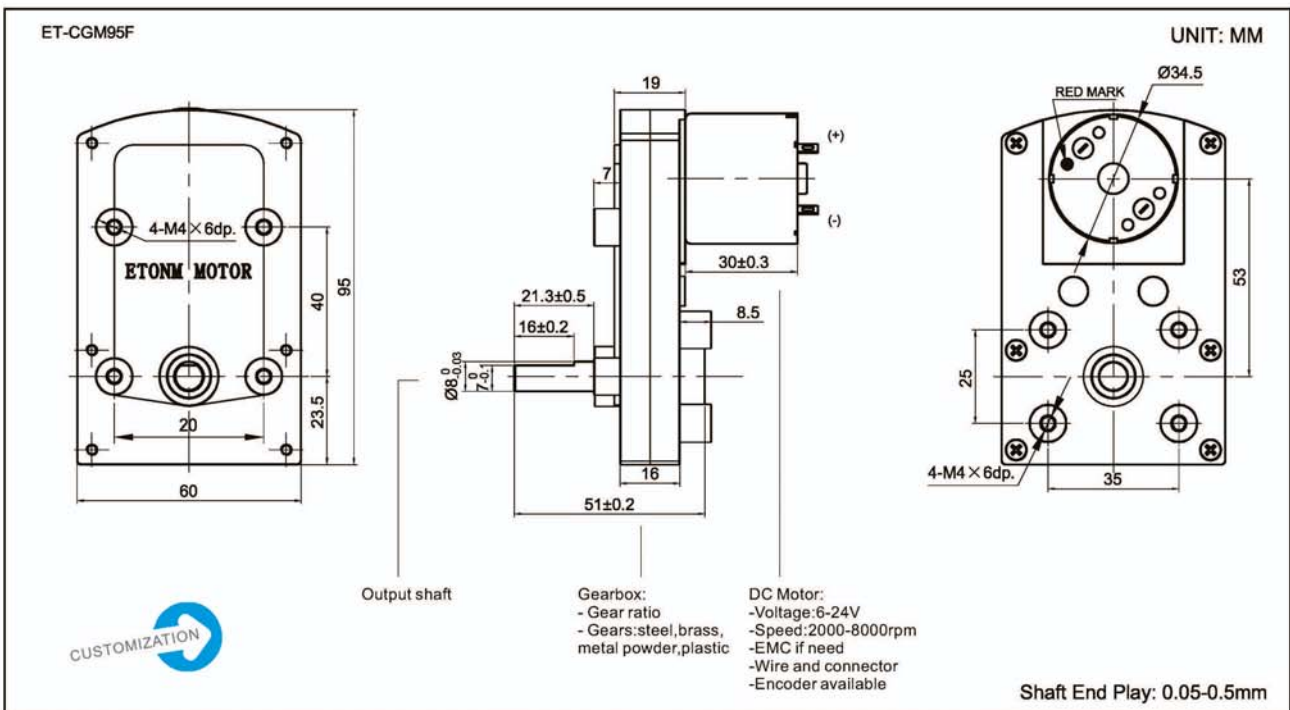
Key Features

High Torque Small Size
 Large Speed Range
 CW/CCW Running

Typical Applications

Home Appliances
 Banking and Vending System
 Electric Valve and Robotics

| Gear Ratio Stage | 3 | 4 | 5 |
|------------------|----|-----|------|
| | 37 | 162 | 594 |
| | 60 | 197 | 651 |
| Gear Ratio | 86 | 265 | 973 |
| | | 315 | 1059 |



FLAT GEARBOX MOTOR

| MODEL | VOLTAGE | | NO LOAD | | AT RATED LOAD | | |
|-----------------|-----------------|---------|---------|---------|---------------|---------|--------|
| | OPERATION RANGE | NOMINAL | SPEED | CURRENT | SPEED | CURRENT | TORQUE |
| | | | r/min | A | r/min | A | kg.cm |
| ET-CGM95F-12162 | 10.0-14.0 | 12VDC | 162 | ≤0.08 | 135 | ≤0.29 | 1.4 |
| ET-CGM95F-12100 | 10.0-14.0 | 12VDC | 100 | ≤0.08 | 83 | ≤0.29 | 2.2 |
| ET-CGM95F-1270 | 10.0-14.0 | 12VDC | 70 | ≤0.08 | 58 | ≤0.29 | 3.2 |
| ET-CGM95F-1237 | 10.0-14.0 | 12VDC | 37 | ≤0.08 | 30 | ≤0.29 | 5.4 |
| ET-CGM95F-1223 | 10.0-14.0 | 12VDC | 23 | ≤0.08 | 19 | ≤0.29 | 9 |
| ET-CGM95F-1219 | 10.0-14.0 | 12VDC | 19 | ≤0.08 | 15.7 | ≤0.29 | 10 |
| ET-CGM95F-1210 | 10.0-14.0 | 12VDC | 10 | ≤0.08 | 8.3 | ≤0.29 | 17 |
| ET-CGM95F-1209 | 10.0-14.0 | 12VDC | 9 | ≤0.08 | 7.4 | ≤0.29 | 19 |
| ET-CGM95F-1206 | 10.0-14.0 | 12VDC | 6 | ≤0.08 | 5 | ≤0.29 | 29 |
| ET-CGM95F-125.6 | 10.0-14.0 | 12VDC | 5.6 | ≤0.08 | 4.5 | ≤0.29 | 32 |

Remarks:

1. the voltage, speed, torque, current can be customized by changing to different motors and gear ratios.





ET-CGM95-G

20PCS/Carton

High Torque Low Speed

Carton size:530*250*180mm

9kg/carton(Approx)

Performance Range

Voltage: 6-24VDC
 Speed: 1-170rpm
 Torque: 1-50kg.cm

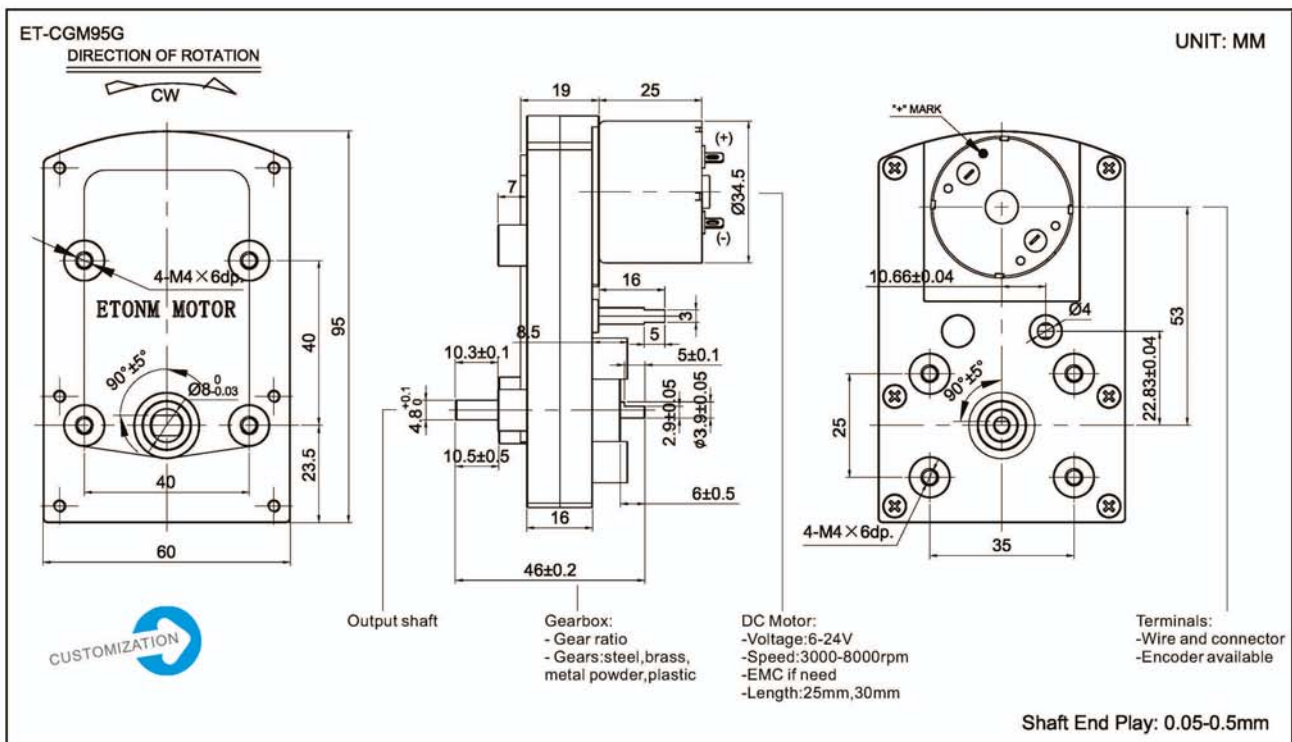
Key Features

High Torque Small Size
 Large Speed Range
 CW/CCW Running

Typical Applications

Home Appliances
 Banking and Vending System
 Electric Valve and Robotics

| Gear Ratio Stage | 3 | 4 | 5 |
|------------------|----|-----|------|
| | 37 | 162 | 594 |
| | 60 | 197 | 651 |
| Gear Ratio | 86 | 265 | 973 |
| | | 315 | 1059 |



| MODEL | VOLTAGE | | NO LOAD | | AT RATED LOAD | | |
|-----------------|-----------------|---------|---------|---------|---------------|---------|--------|
| | OPERATION RANGE | NOMINAL | SPEED | CURRENT | SPEED | CURRENT | TORQUE |
| | | | r/min | A | r/min | A | kg.cm |
| ET-CGM95G-12162 | 6.0-14.0 | 12VDC | 162 | ≤0.1 | 124 | ≤0.28 | 2 |
| ET-CGM95G-12100 | 6.0-14.0 | 12VDC | 100 | ≤0.1 | 76 | ≤0.28 | 2.6 |
| ET-CGM95G-1270 | 6.0-14.0 | 12VDC | 70 | ≤0.1 | 52 | ≤0.28 | 3.6 |
| ET-CGM95G-1237 | 6.0-14.0 | 12VDC | 37 | ≤0.1 | 27 | ≤0.28 | 6 |
| ET-CGM95G-1223 | 6.0-14.0 | 12VDC | 23 | ≤0.1 | 16 | ≤0.28 | 10 |
| ET-CGM95G-1219 | 6.0-14.0 | 12VDC | 19 | ≤0.1 | 13.5 | ≤0.28 | 12 |
| ET-CGM95G-1210 | 6.0-14.0 | 12VDC | 10 | ≤0.1 | 7 | ≤0.28 | 20 |
| ET-CGM95G-1209 | 6.0-14.0 | 12VDC | 9 | ≤0.1 | 6 | ≤0.28 | 23 |
| ET-CGM95G-1206 | 6.0-14.0 | 12VDC | 6 | ≤0.1 | 4 | ≤0.28 | 34 |
| ET-CGM95G-125.6 | 6.0-14.0 | 12VDC | 5.6 | ≤0.1 | 3.6 | ≤0.28 | 38 |

Remarks:

1. the voltage, speed, torque, current can be customized by changing to different motors and gear ratios.





ET-FGM119

20PCS/ Carton

High Torque Low Speed

Carton size: 620*310*190mm

18.5kg/carton (Approx)

Performance Range

Voltage: 12-24VDC
 Speed: 0.5-50rpm
 Torque: 1-300kg.cm

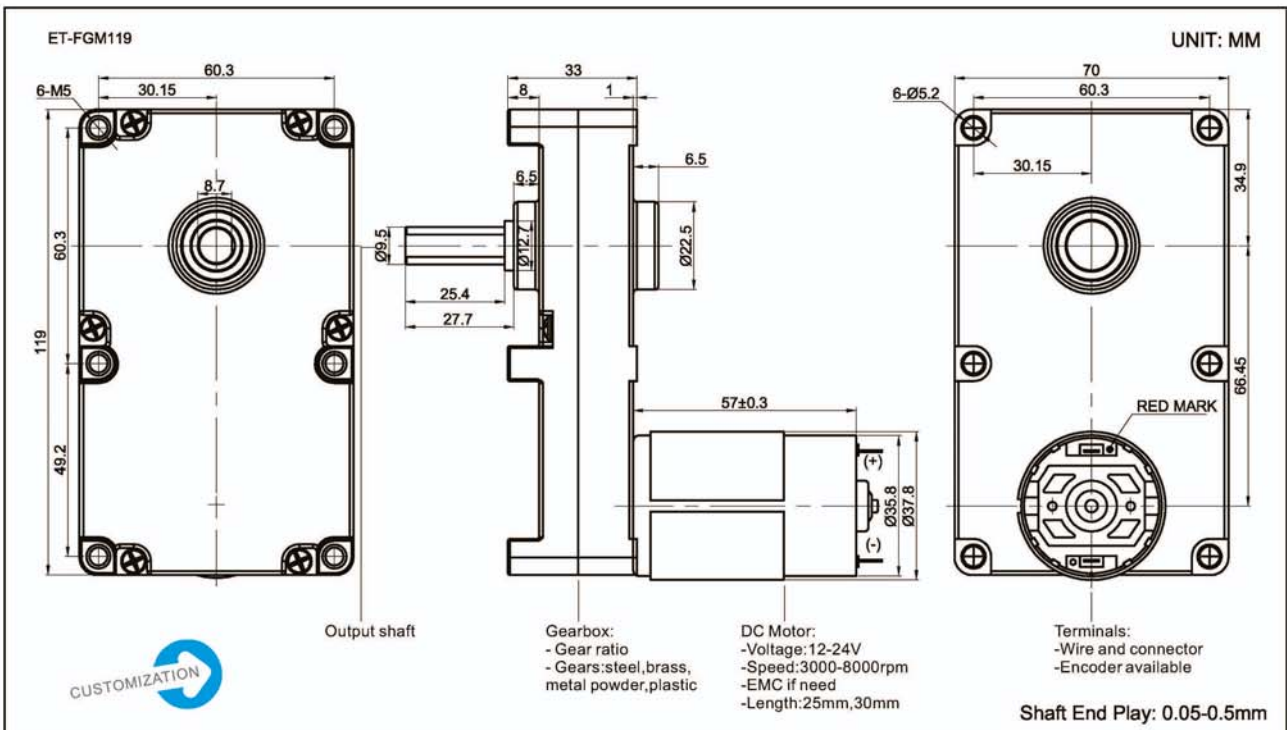
Key Features

High Torque Small Size
 Very Low speed
 CW/CCW Running

Typical Applications

Equipments and Apparatus
 Banking and Vending System
 Electric Valve and Robotics

| Gear Ratio Stage | 3 | 4 | 5 | 6 |
|------------------|-----|-----|------|------|
| | 127 | 389 | 1269 | 3385 |
| Gear Ratio | 251 | 590 | 1601 | 5078 |
| | | 722 | 1929 | |



| MODEL | VOLTAGE | | NO LOAD | | AT RATED LOAD | | |
|-----------------|-----------------|---------|---------|---------|---------------|---------|--------|
| | OPERATION RANGE | NOMINAL | SPEED | CURRENT | SPEED | CURRENT | TORQUE |
| | | | r/min | A | r/min | A | kg.cm |
| ET-FGM119-1247 | 9.0-14.0 | 12VDC | 47 | ≤0.35 | 34.5 | ≤1.9 | 28 |
| ET-FGM119-1224 | 9.0-14.0 | 12VDC | 24 | ≤0.35 | 17.5 | ≤1.9 | 55 |
| ET-FGM119-1216 | 9.0-14.0 | 12VDC | 16 | ≤0.35 | 11.3 | ≤1.9 | 85 |
| ET-FGM119-1210 | 9.0-14.0 | 12VDC | 10 | ≤0.35 | 7.4 | ≤1.9 | 129 |
| ET-FGM119-1208 | 9.0-14.0 | 12VDC | 8 | ≤0.35 | 6 | ≤1.9 | 152 |
| ET-FGM119-126.5 | 9.0-14.0 | 12VDC | 6.5 | ≤0.35 | 4.7 | ≤1.9 | 188 |
| ET-FGM119-124.5 | 9.0-14.0 | 12VDC | 4.5 | ≤0.35 | 3.2 | ≤1.9 | 252 |
| ET-FGM119-1204 | 9.0-14.0 | 12VDC | 4 | ≤0.35 | 2.6 | ≤1.9 | 286 |
| ET-FGM119-1203 | 9.0-14.0 | 12VDC | 3 | ≤0.35 | 1.9 | ≤1.9 | 300* |
| ET-FGM119-121.8 | 9.0-14.0 | 12VDC | 1.8 | ≤0.35 | 1.2 | ≤1.9 | 300* |
| ET-FGM119-121.2 | 9.0-14.0 | 12VDC | 1.2 | ≤0.35 | 0.7 | ≤1.9 | 300* |

Remarks:

1. the voltage, speed, torque, current can be customized by changing to different motors and gear ratios.

FLAT GEARBOX MOTOR





ET-ZGMP38

24PCS/ Carton

High Torque Low Speed

Carton size: 370*355*190mm

9.9kg/carton (Approx)

Performance Range

Voltage: 12-24VDC
 Speed: 0.5-30rpm
 Torque: 1-100kg.cm

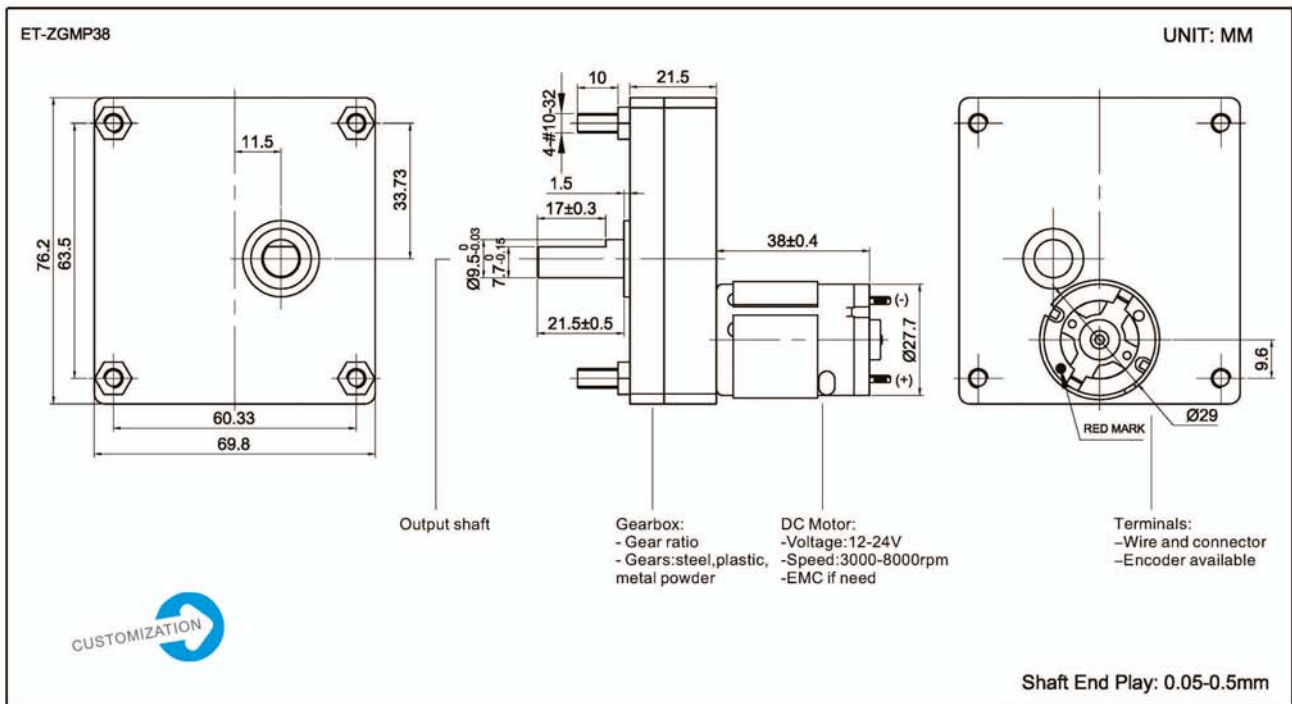
Key Features

High Torque Small Size
 Very Low speed
 CW/CCW Running

Typical Applications

Equipments and Apparatus
 Banking and Vending System
 Electric Valve and Robotics

| Gear Ratio Stage | 4 | 5 | 6 | 7 |
|------------------|-----|-----|------|------|
| | 211 | 765 | 1105 | 3061 |
| Gear Ratio | 307 | 818 | 1228 | 4592 |
| | 409 | | | 6632 |
| | | | | 9948 |



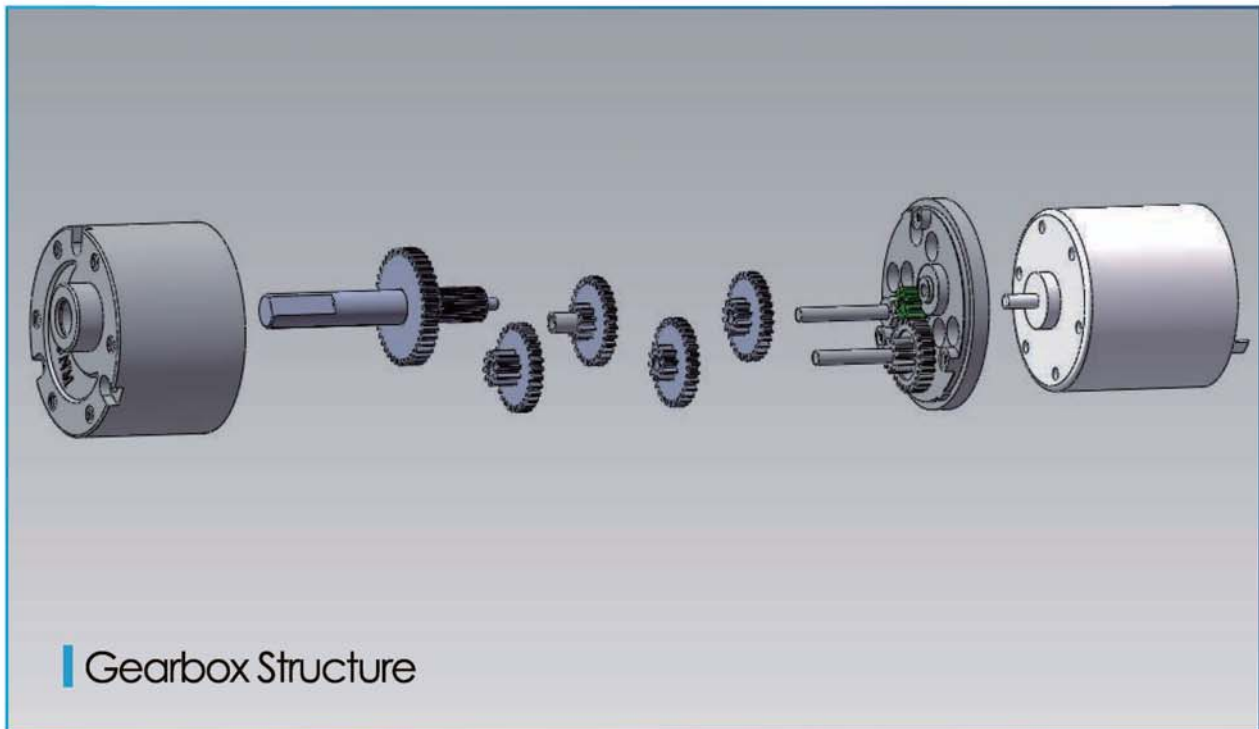
| MODEL | VOLTAGE | | NO LOAD | | AT RATED LAOD | | |
|------------------|-----------------|---------|---------|---------|---------------|---------|--------|
| | OPERATION RANGE | NOMINAL | SPEED | CURRENT | SPEED | CURRENT | TORQUE |
| | | | r/min | A | r/min | A | kg.cm |
| ET-ZGMP38-1228 | 9.0-14.0 | 12VDC | 28 | ≤0.07 | 20.7 | ≤0.7 | 12 |
| ET-ZGMP38-1220 | 9.0-14.0 | 12VDC | 20 | ≤0.07 | 14.6 | ≤0.7 | 17 |
| ET-ZGMP38-1214.5 | 9.0-14.0 | 12VDC | 14.5 | ≤0.07 | 10.6 | ≤0.7 | 23 |
| ET-ZGMP38-127.8 | 9.0-14.0 | 12VDC | 7.8 | ≤0.07 | 5.5 | ≤0.7 | 40 |
| ET-ZGMP38-1207 | 9.0-14.0 | 12VDC | 7 | ≤0.07 | 5.2 | ≤0.7 | 43 |
| ET-ZGMP38-125.5 | 9.0-14.0 | 12VDC | 5.5 | ≤0.07 | 3.8 | ≤0.7 | 58 |
| ET-ZGMP38-1205 | 9.0-14.0 | 12VDC | 5 | ≤0.07 | 3.2 | ≤0.7 | 64 |
| ET-ZGMP38-1202 | 9.0-14.0 | 12VDC | 2 | ≤0.08 | 1.3 | ≤0.8 | 80* |
| ET-ZGMP38-121.3 | 9.0-14.0 | 12VDC | 1.3 | ≤0.08 | 0.85 | ≤0.8 | 80* |
| ET-ZGMP38-120.9 | 9.0-14.0 | 12VDC | 0.9 | ≤0.08 | 0.58 | ≤0.8 | 80* |
| ET-ZGMP38-120.6 | 9.0-14.0 | 12VDC | 0.6 | ≤0.08 | 0.35 | ≤0.8 | 80* |

Remarks:

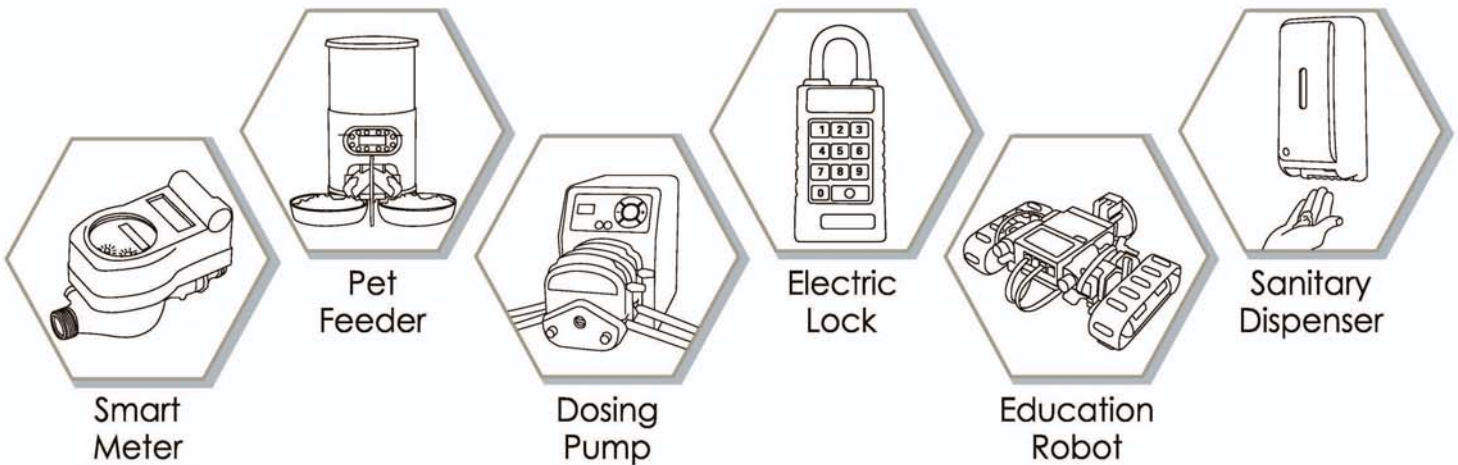
1. the voltage, speed, torque, current can be customized by changing to different motors and gear ratios.



Round Spur Gear Motor >>>



Applications



Unique Features: <<<

- Small Size
- Widely Used
- Lower Cost
- Lots of Types and Variants



ET-SGM10

500PCS/Carton

Precise Spur Gear Motor

Carton size:355*255*103mm

4kg/carton(Approx)

Performance Range

Voltage: 1.5-3.6VDC
 Speed: 30-2000rpm
 Torque: 0.05-0.5kg.cm

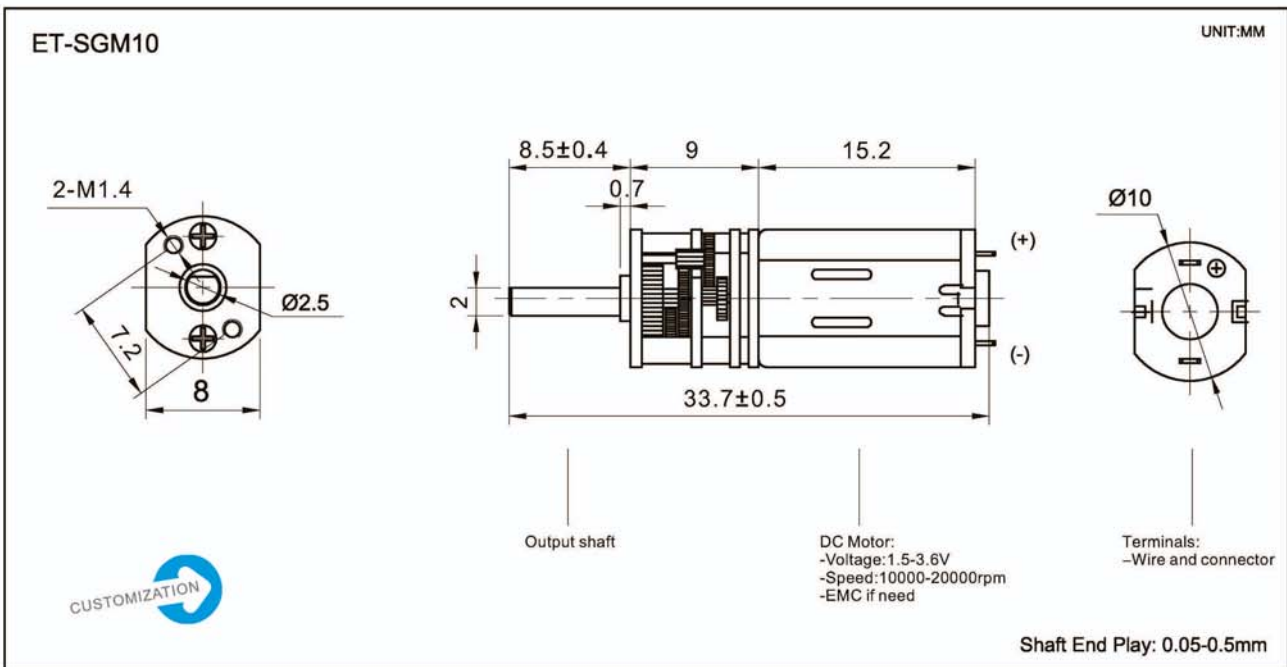
Key Features

Metal Brush
 CW/CCW Running
 Low Noise

Typical Applications

Safe and Locking
 Electric Valve

| | | |
|-------------------|-----|-----|
| Gear Ratio Stage | 4 | 5 |
| Gear Ratio | 100 | 250 |
| Gearbox Length(L) | 9 | |



| MODEL | VOLTAGE | | NO LOAD | | AT RATED LOAD | | |
|----------------|-----------------|---------|---------|---------|---------------|---------|--------|
| | OPERATION RANGE | NOMINAL | SPEED | CURRENT | SPEED | CURRENT | TORQUE |
| | | | r/min | A | r/min | A | kg.cm |
| ET-SGM10-03152 | 1.5-4.5 | 3VDC | 152 | ≤0.07 | 135 | ≤0.14 | 0.07 |
| ET-SGM10-0362 | 1.5-4.5 | 3VDC | 62 | ≤0.07 | 52 | ≤0.14 | 0.19 |
| | | | | | | | |
| | | | | | | | |
| | | | | | | | |
| | | | | | | | |
| | | | | | | | |
| | | | | | | | |

Remarks:

1. the voltage, speed, torque, current can be customized by changing to different motors and gear ratios.



ROUND SPU R GEAR MOTOR



ET-SGM12-A

500PCS/Carton

Precise Spur Gear Motor

Carton size:355*255*103mm

7kg/carton(Approx)

Performance Range

Voltage: 1.5-12VDC
 Speed: 6-2000rpm
 Torque: 0.05-2kg.cm

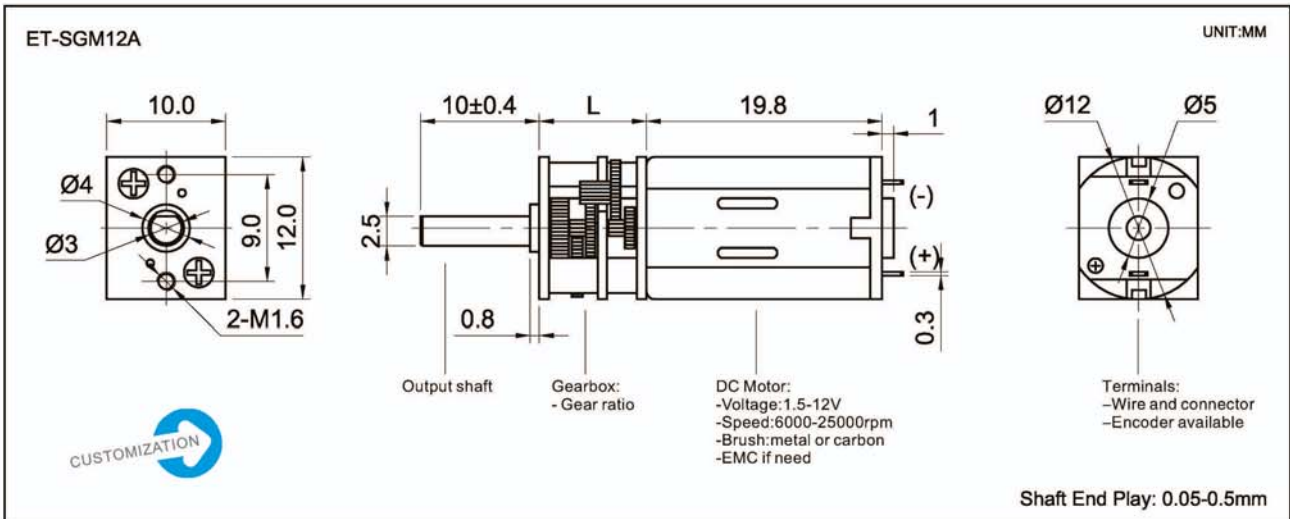
Key Features

Metal/Carbon Brush
 CW/CCW Running
 Low Noise

Typical Applications

Electric Lock and Safebox
 Robotics and Actuator
 Electric Valve

| Gear Ratio Stage | 2 | 4 | 5 | 7 |
|-------------------|----|-----|-----|------|
| Gear Ratio | 10 | 20 | 150 | 625 |
| | | 30 | 210 | 1000 |
| | | 50 | 250 | |
| | | 63 | 298 | |
| | | 100 | 380 | |
| Gearbox Length(L) | 9 | | | 12 |



| MODEL | VOLTAGE | | NO LOAD | | AT RATED LOAD | | |
|-----------------|-----------------|---------|---------|---------|---------------|---------|--------|
| | OPERATION RANGE | NOMINAL | SPEED | CURRENT | SPEED | CURRENT | TORQUE |
| | | | r/min | A | r/min | A | kg.cm |
| ET-SGM12A-03790 | 1.5-6.0 | 3VDC | 790 | ≤0.04 | 695 | ≤0.10 | 0.02 |
| ET-SGM12A-03395 | 1.5-6.0 | 3VDC | 395 | ≤0.04 | 346 | ≤0.10 | 0.04 |
| ET-SGM12A-03263 | 1.5-6.0 | 3VDC | 263 | ≤0.04 | 219 | ≤0.10 | 0.06 |
| ET-SGM12A-03158 | 1.5-6.0 | 3VDC | 158 | ≤0.04 | 131 | ≤0.10 | 0.10 |
| ET-SGM12A-03125 | 1.5-6.0 | 3VDC | 125 | ≤0.04 | 99 | ≤0.10 | 0.13 |
| ET-SGM12A-0379 | 1.5-6.0 | 3VDC | 79 | ≤0.04 | 61 | ≤0.10 | 0.19 |
| ET-SGM12A-0353 | 1.5-6.0 | 3VDC | 53 | ≤0.04 | 40 | ≤0.10 | 0.29 |
| ET-SGM12A-0338 | 1.5-6.0 | 3VDC | 38 | ≤0.04 | 29 | ≤0.10 | 0.40 |
| ET-SGM12A-0332 | 1.5-6.0 | 3VDC | 32 | ≤0.04 | 23 | ≤0.10 | 0.47 |
| ET-SGM12A-0327 | 1.5-6.0 | 3VDC | 27 | ≤0.04 | 19 | ≤0.10 | 0.54 |
| ET-SGM12A-0323 | 1.5-6.0 | 3VDC | 23 | ≤0.04 | 16 | ≤0.10 | 0.60 |
| ET-SGM12A-0321 | 1.5-6.0 | 3VDC | 21 | ≤0.04 | 14 | ≤0.10 | 0.66 |
| ET-SGM12A-0308 | 1.5-6.0 | 3VDC | 8 | ≤0.04 | 5 | ≤0.10 | 1.70 |

Remarks:

1. the voltage, speed, torque, current can be customized by changing to different motors and gear ratios.

ROUND SPU R GEAR MOTOR





ET-SGM12-C

500PCS/Carton

Precise Spur Gear Motor

Carton size:355*255*103mm

6kg/carton(Approx)

Performance Range

Voltage: 1.5-9VDC
 Speed: 1-1600rpm
 Torque: 0.1-2kg.cm

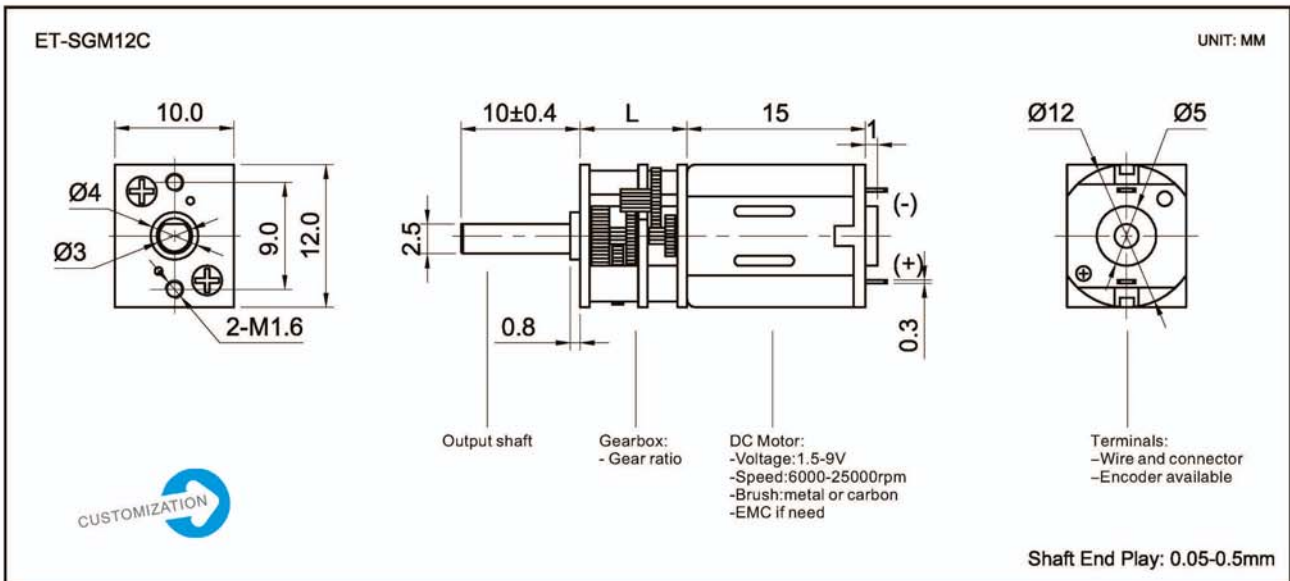
Key Features

Metal/Carbon Brush
 CW/CCW Running
 Low Noise

Typical Applications

Electric Lock and Safebox
 Robotics and Actuator
 Electric Valve

| Gear Ratio Stage | 2 | 4 | 5 | 7 |
|-------------------|----|-----|-----|------|
| | 10 | 20 | 150 | 625 |
| Gear Ratio | | 30 | 210 | 1000 |
| | | 50 | 250 | |
| | | 63 | 298 | |
| | | 100 | 380 | |
| Gearbox Length(L) | | 9 | | 12 |



| MODEL | VOLTAGE | | NO LOAD | | AT RATED LOAD | | |
|------------------|-----------------|---------|---------|---------|---------------|---------|--------|
| | OPERATION RANGE | NOMINAL | SPEED | CURRENT | SPEED | CURRENT | TORQUE |
| | | | r/min | A | r/min | A | kg.cm |
| ET-SGM12C-1.507 | 0.8-3.0 | 1.5VDC | 7 | ≤0.03 | 4.8 | ≤0.07 | 0.40 |
| ET-SGM12C-1.515 | 0.8-3.0 | 1.5VDC | 15 | ≤0.03 | 10 | ≤0.11 | 0.18 |
| ET-SGM12C-0330 | 1.5-5.0 | 3VDC | 30 | ≤0.04 | 22 | ≤0.15 | 0.36 |
| ET-SGM12C-4.545 | 1.5-6.0 | 4.5VDC | 45 | ≤0.04 | 36 | ≤0.12 | 0.52 |
| ET-SGM12C-051500 | 1.5-7.2 | 5VDC | 1500 | ≤0.05 | 1350 | ≤0.21 | 0.03 |
| ET-SGM12C-05750 | 1.5-7.2 | 5VDC | 750 | ≤0.05 | 675 | ≤0.21 | 0.05 |
| ET-SGM12C-05500 | 1.5-7.2 | 5VDC | 500 | ≤0.05 | 405 | ≤0.21 | 0.08 |
| ET-SGM12C-05300 | 1.5-7.2 | 5VDC | 300 | ≤0.05 | 240 | ≤0.21 | 0.13 |
| ET-SGM12C-05150 | 1.5-7.2 | 5VDC | 150 | ≤0.05 | 109 | ≤0.21 | 0.23 |
| ET-SGM12C-05100 | 1.5-7.2 | 5VDC | 100 | ≤0.05 | 72 | ≤0.21 | 0.34 |
| ET-SGM12C-0550 | 1.5-7.2 | 5VDC | 50 | ≤0.03 | 40 | ≤0.21 | 0.62 |
| ET-SGM12C-0660 | 1.5-9.0 | 6VDC | 60 | ≤0.04 | 44 | ≤0.25 | 0.71 |
| ET-SGM12C-0696 | 1.5-9.0 | 6VDC | 96 | ≤0.12 | 89 | ≤0.20 | 0.40 |

Remarks:

1. the voltage, speed, torque, current can be customized by changing to different motors and gear ratios.

ROUND SPUR GEAR MOTOR





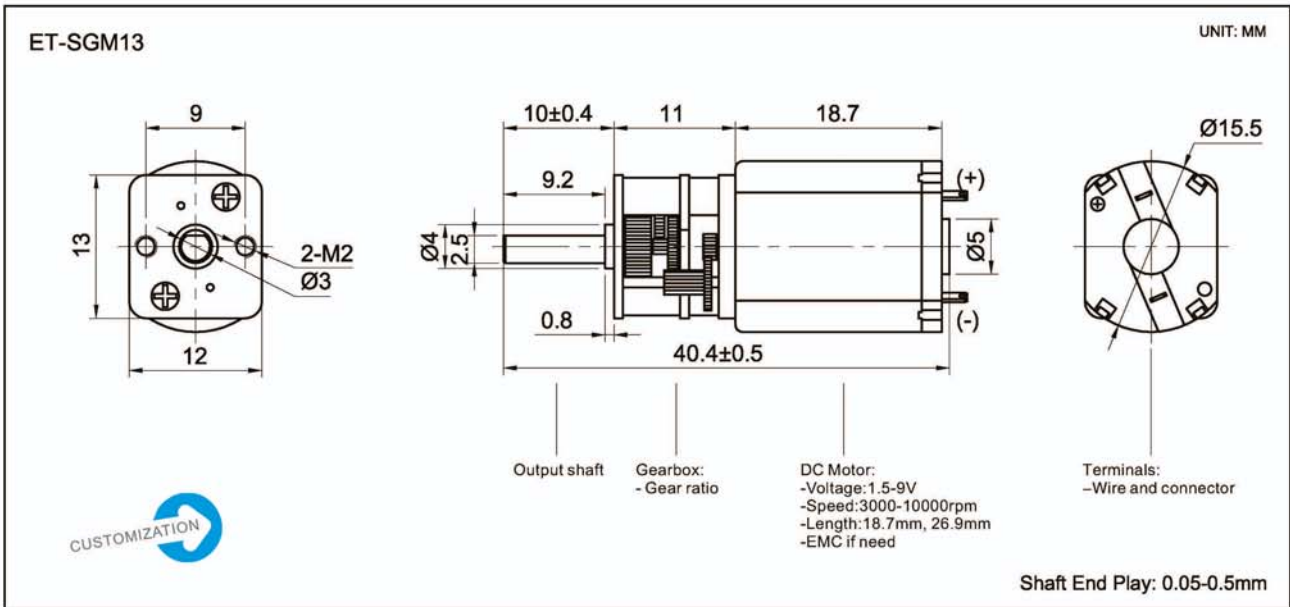
ET-SGM13

Precise Spur Gear Motor

400PCS/Carton
Carton size:355*270*196mm
11kg/carton(Approx)

| Performance Range | Key Features | Typical Applications |
|---------------------|----------------|----------------------|
| Voltage: 1.5-9VDC | Metal Brush | Safe and Locking |
| Speed: 8-1000rpm | CW/CCW Running | Electric Valve |
| Torque: 0.05-4kg.cm | Low Noise | Robotics |

| Gear Ratio Stage | 2 | 3 | 4 | 5 |
|-------------------|----|----|-----|---|
| Gear Ratio | 10 | 35 | 115 | |
| | | 63 | 150 | |
| | | 86 | 360 | |
| Gearbox Length(L) | 11 | | | |



| MODEL | VOLTAGE | | NO LOAD | | AT RATED LOAD | | |
|----------------|-----------------|---------|---------|---------|---------------|---------|--------|
| | OPERATION RANGE | NOMINAL | SPEED | CURRENT | SPEED | CURRENT | TORQUE |
| | | | r/min | A | r/min | A | kg.cm |
| ET-SGM13-0667 | 3.0-7.2 | 6VDC | 67 | ≤0.05 | 47 | ≤0.19 | 0.40 |
| ET-SGM13-0627 | 3.0-7.2 | 6VDC | 27 | ≤0.05 | 19 | ≤0.19 | 1.20 |
| ET-SGM13-05242 | 3.0-7.2 | 5VDC | 242 | ≤0.05 | 176 | ≤0.19 | 0.12 |
| ET-SGM13-05134 | 3.0-7.2 | 5VDC | 134 | ≤0.05 | 98 | ≤0.19 | 0.23 |
| ET-SGM13-0599 | 3.0-7.2 | 5VDC | 99 | ≤0.05 | 72 | ≤0.19 | 0.31 |
| ET-SGM13-0574 | 3.0-7.2 | 5VDC | 74 | ≤0.05 | 52 | ≤0.19 | 0.40 |
| ET-SGM13-0556 | 3.0-7.2 | 5VDC | 56 | ≤0.05 | 40 | ≤0.19 | 0.52 |
| ET-SGM13-0523 | 3.0-7.2 | 5VDC | 23 | ≤0.05 | 16 | ≤0.19 | 1.20 |
| ET-SGM13-03143 | 1.5-4.5 | 3VDC | 143 | ≤0.10 | 104 | ≤0.50 | 0.06 |
| ET-SGM13-0379 | 1.5-4.5 | 3VDC | 79 | ≤0.10 | 57 | ≤0.50 | 0.12 |
| ET-SGM13-0358 | 1.5-4.5 | 3VDC | 58 | ≤0.10 | 42 | ≤0.50 | 0.16 |
| ET-SGM13-0333 | 1.5-4.5 | 3VDC | 33 | ≤0.10 | 24 | ≤0.50 | 0.27 |
| ET-SGM13-0314 | 1.5-4.5 | 3VDC | 14 | ≤0.10 | 10 | ≤0.50 | 0.65 |

Remarks:

1. the voltage, speed, torque, current can be customized by changing to different motors and gear ratios.





ET-SGM15-A

400PCS/Carton

Precise Spur Gear Motor

Carton size:355*270*196mm

12kg/carton(Approx)

Performance Range

Voltage: 1.5-12VDC
 Speed: 8-1000rpm
 Torque: 0.05-5kg.cm

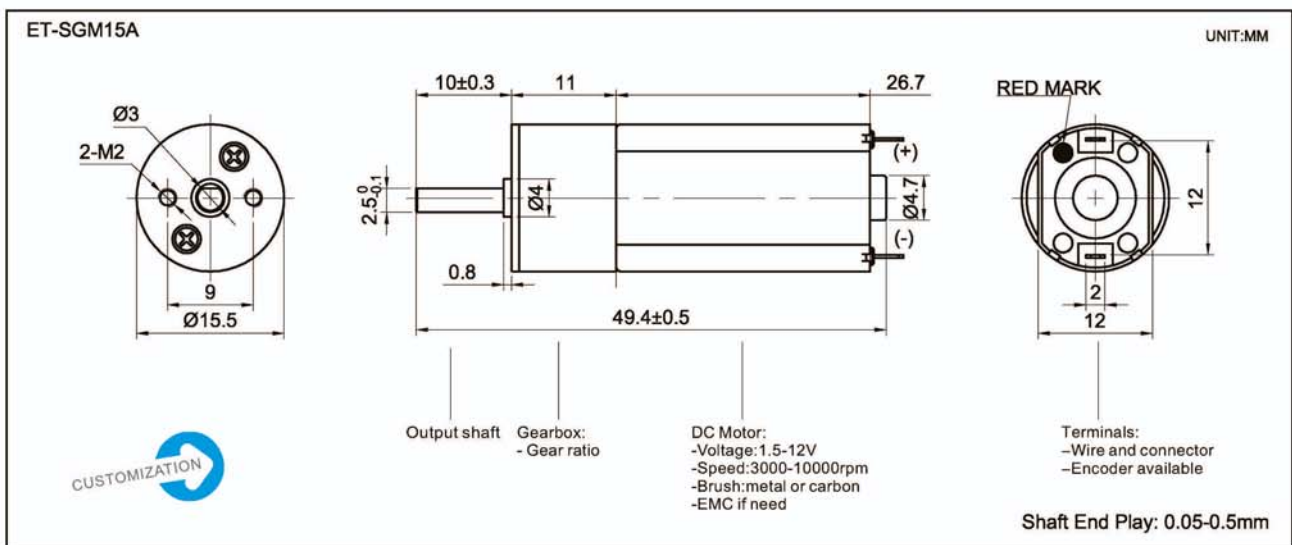
Key Features

Metal/Carbon Brush
 CW/CCW Running
 Low Noise

Typical Applications

Safe and Locking
 Electric Valve and Electric Switch
 Cosmetic Brush

| Gear Ratio Stage | 2 | 3 | 4 |
|-------------------|----|----|-----|
| Gear Ratio | 10 | 35 | 115 |
| | | 63 | 150 |
| | | 86 | 360 |
| Gearbox Length(L) | 11 | | |



| MODEL | VOLTAGE | | NO LOAD | | AT RATED LOAD | | |
|------------------|-----------------|---------|---------|---------|---------------|---------|--------|
| | OPERATION RANGE | NOMINAL | SPEED | CURRENT | SPEED | CURRENT | TORQUE |
| | | | r/min | A | r/min | A | kg.cm |
| ET-SGM15A-121200 | 4.5-13.5 | 12VDC | 1200 | ≤0.05 | 1000 | ≤0.15 | 0.08 |
| ET-SGM15A-12342 | 4.5-13.5 | 12VDC | 342 | ≤0.05 | 274 | ≤0.15 | 0.28 |
| ET-SGM15A-12190 | 4.5-13.5 | 12VDC | 190 | ≤0.05 | 148 | ≤0.15 | 0.5 |
| ET-SGM15A-12139 | 4.5-13.5 | 12VDC | 139 | ≤0.05 | 104 | ≤0.15 | 0.65 |
| ET-SGM15A-12104 | 4.5-13.5 | 12VDC | 104 | ≤0.05 | 76 | ≤0.15 | 0.88 |
| ET-SGM15A-1280 | 4.5-13.5 | 12VDC | 80 | ≤0.05 | 58 | ≤0.15 | 1.1 |
| ET-SGM15A-1248 | 4.5-13.5 | 12VDC | 48 | ≤0.05 | 35 | ≤0.15 | 1.8 |
| ET-SGM15A-1233 | 4.5-13.5 | 12VDC | 33 | ≤0.05 | 24 | ≤0.15 | 2.5 |
| ET-SGM15A-05117 | 1.5-7.0 | 5VDC | 117 | ≤0.08 | 85 | ≤0.17 | 0.4 |
| ET-SGM15A-0586 | 1.5-7.0 | 5VDC | 86 | ≤0.08 | 61 | ≤0.17 | 0.5 |
| ET-SGM15A-0564 | 1.5-7.0 | 5VDC | 64 | ≤0.08 | 46 | ≤0.17 | 0.6 |
| ET-SGM15A-0550 | 1.5-7.0 | 5VDC | 50 | ≤0.08 | 36 | ≤0.17 | 0.8 |
| ET-SGM15A-0521 | 1.5-7.0 | 5VDC | 21 | ≤0.08 | 14 | ≤0.17 | 1.7 |
| ET-SGM15A-0331 | 1.5-4.5 | 3VDC | 31 | ≤0.08 | 22 | ≤0.18 | 0.6 |
| ET-SGM15A-0313 | 1.5-4.5 | 3VDC | 13 | ≤0.08 | 9 | ≤0.18 | 1.8 |

Remarks:

1. the voltage, speed, torque, current can be customized by changing to different motors and gear ratios.

ROUND SPUR GEAR MOTOR





ET-SGM20-A

200PCS/Carton

Precise Spur Gear Motor

Carton size:395*325*235mm

11kg/carton(Approx)

Performance Range

Voltage: 1.5-12VDC
 Speed: 8-1000rpm
 Torque: 0.05-6kg.cm

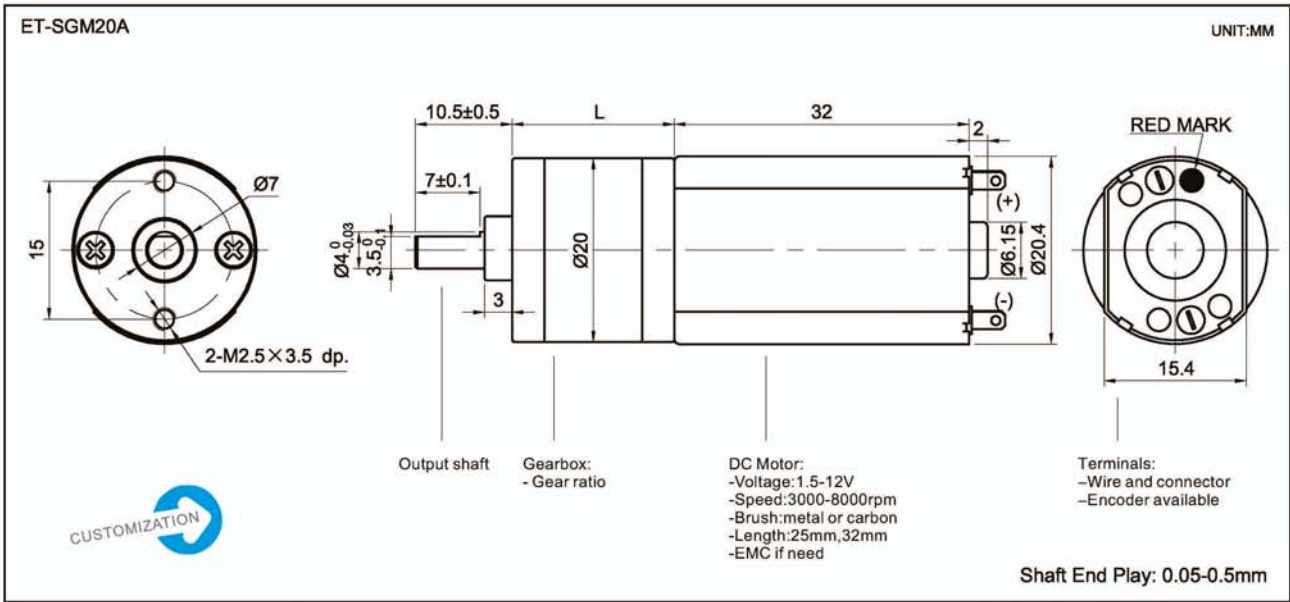
Key Features

Metal/Carbon Brush
 CW/CCW Running
 Low Noise

Typical Applications

Safe and Locking
 Sanitary Dispenser
 Robotics

| Gear Ratio Stage | 2 | 3 | 4 | 5 |
|-------------------|------|------|-----|------|
| Gear Ratio | 10 | 50 | 100 | 250 |
| | 12.5 | 62 | 125 | 313 |
| | 25 | 78 | 156 | 391 |
| | 31 | | 195 | 488 |
| Gearbox Length(L) | 16 | 17.5 | 19 | 20.5 |



| MODEL | VOLTAGE | | NO LOAD | | AT RATED LOAD | | |
|-----------------|-----------------|---------|---------|---------|---------------|---------|--------|
| | OPERATION RANGE | NOMINAL | SPEED | CURRENT | SPEED | CURRENT | TORQUE |
| | | | r/min | A | r/min | A | kg.cm |
| ET-SGM20A-12650 | 6.0-13.5 | 12VDC | 650 | ≤0.05 | 530 | ≤0.16 | 0.07 |
| ET-SGM20A-12520 | 6.0-13.5 | 12VDC | 520 | ≤0.05 | 420 | ≤0.16 | 0.09 |
| ET-SGM20A-12260 | 6.0-13.5 | 12VDC | 260 | ≤0.05 | 210 | ≤0.16 | 0.16 |
| ET-SGM20A-12209 | 6.0-13.5 | 12VDC | 209 | ≤0.05 | 163 | ≤0.16 | 0.19 |
| ET-SGM20A-12130 | 6.0-13.5 | 12VDC | 130 | ≤0.05 | 99 | ≤0.16 | 0.3 |
| ET-SGM20A-12105 | 6.0-13.5 | 12VDC | 105 | ≤0.05 | 79 | ≤0.16 | 0.4 |
| ET-SGM20A-1283 | 6.0-13.5 | 12VDC | 83 | ≤0.05 | 62 | ≤0.16 | 0.5 |
| ET-SGM20A-1265 | 6.0-13.5 | 12VDC | 65 | ≤0.05 | 47 | ≤0.16 | 0.6 |
| ET-SGM20A-1252 | 6.0-13.5 | 12VDC | 52 | ≤0.05 | 37 | ≤0.16 | 0.7 |
| ET-SGM20A-1242 | 6.0-13.5 | 12VDC | 42 | ≤0.05 | 30 | ≤0.16 | 0.9 |
| ET-SGM20A-1233 | 6.0-13.5 | 12VDC | 33 | ≤0.05 | 23.5 | ≤0.16 | 1.1 |
| ET-SGM20A-1226 | 6.0-13.5 | 12VDC | 26 | ≤0.05 | 18 | ≤0.16 | 1.4 |
| ET-SGM20A-1221 | 6.0-13.5 | 12VDC | 21 | ≤0.05 | 14 | ≤0.16 | 1.7 |
| ET-SGM20A-1216 | 6.0-13.5 | 12VDC | 16 | ≤0.05 | 11 | ≤0.16 | 2.1 |
| ET-SGM20A-1213 | 6.0-13.5 | 12VDC | 13 | ≤0.05 | 8.8 | ≤0.16 | 2.6 |

Remarks:

1. the voltage, speed, torque, current can be customized by changing to different motors and gear ratios.





ET-SGM25-A

200PCS/Carton

Precise Spur Gear Motor

Carton size:395*325*235mm

17kg/carton(Approx)

Performance Range

Voltage: 3-24VDC
 Speed: 5-100rpm
 Torque: 0.05-6kg.cm

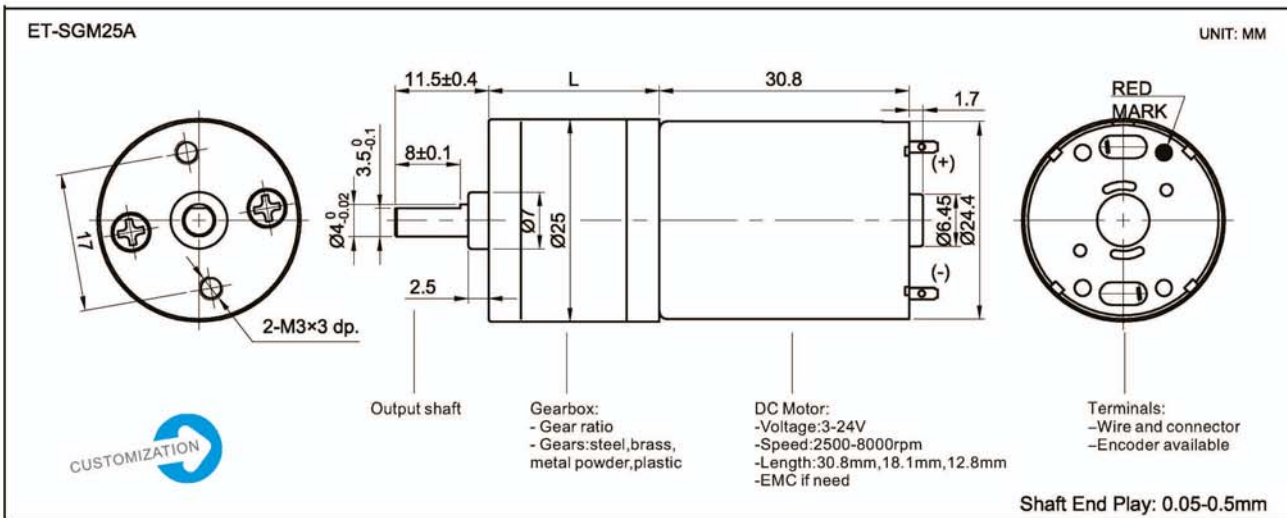
Key Features

Metal/Carbon Brush
 CW/CCW Running
 Low Noise

Typical Applications

Intelligent Cleaner
 Banking and Vending Automation
 Sanitary Dispenser

| Gear Ratio Stage | 4 | 5 | 6 | 7 | 8 |
|-------------------|----|----|-----|-----|-----|
| Gear Ratio | 13 | 29 | 55 | 121 | 266 |
| | 21 | 41 | 63 | 139 | 307 |
| | | 47 | 89 | 171 | 376 |
| | | | 103 | 197 | 433 |
| | | | | 226 | 499 |
| Gearbox Length(L) | 23 | | | 27 | |



| MODEL | VOLTAGE | | NO LOAD | | AT RATED LOAD | | |
|------------------|-----------------|---------|---------|---------|---------------|---------|--------|
| | OPERATION RANGE | NOMINAL | SPEED | CURRENT | SPEED | CURRENT | TORQUE |
| | | | r/min | A | r/min | A | kg.cm |
| ET-SGM25A-06333 | 3.0-7.2 | 6VDC | 333 | ≤0.12 | 262 | ≤0.54 | 0.45 |
| ET-SGM25A-06241 | 3.0-7.2 | 6VDC | 241 | ≤0.12 | 188 | ≤0.54 | 0.67 |
| ET-SGM25A-06170 | 3.0-7.2 | 6VDC | 170 | ≤0.12 | 132 | ≤0.54 | 0.95 |
| ET-SGM25A-06149 | 3.0-7.2 | 6VDC | 149 | ≤0.12 | 116 | ≤0.54 | 1.1 |
| ET-SGM25A-06127 | 3.0-7.2 | 6VDC | 127 | ≤0.12 | 99 | ≤0.54 | 1.3 |
| ET-SGM25A-06111 | 3.0-7.2 | 6VDC | 111 | ≤0.12 | 87 | ≤0.54 | 1.5 |
| ET-SGM25A-0678 | 3.0-7.2 | 6VDC | 78 | ≤0.12 | 61 | ≤0.54 | 2.1 |
| ET-SGM25A-0668 | 3.0-7.2 | 6VDC | 68 | ≤0.12 | 53 | ≤0.54 | 2.4 |
| ET-SGM25A-0658 | 3.0-7.2 | 6VDC | 58 | ≤0.12 | 45 | ≤0.54 | 2.8 |
| ET-SGM25A-0650 | 3.0-7.2 | 6VDC | 50 | ≤0.12 | 39 | ≤0.54 | 3.2 |
| ET-SGM25A-0641 | 3.0-7.2 | 6VDC | 41 | ≤0.12 | 32 | ≤0.54 | 4 |
| ET-SGM25A-0631 | 3.0-7.2 | 6VDC | 31 | ≤0.12 | 24 | ≤0.54 | 5 |
| ET-SGM25A-0622.8 | 3.0-7.2 | 6VDC | 22.8 | ≤0.12 | 18 | ≤0.54 | 6* |
| ET-SGM25A-0618 | 3.0-7.2 | 6VDC | 18 | ≤0.12 | 14 | ≤0.54 | 6* |
| ET-SGM25A-0614 | 3.0-7.2 | 6VDC | 14 | ≤0.12 | 11 | ≤0.54 | 6* |
| ET-SGM25A-0308 | 2.0-5.0 | 3VDC | 8 | ≤0.07 | 5.5 | ≤0.22 | 4 |
| ET-SGM25A-0307 | 2.0-5.0 | 3VDC | 7 | ≤0.07 | 5 | ≤0.22 | 5 |

Remarks:

1. the voltage, speed, torque, current can be customized by changing to different motors and gear ratios.

ROUND SPUR GEAR MOTOR





ET-SGM25-B

200PCS/Carton

Precise Spur Gear Motor

Carton size:395*325*235mm

15kg/carton(Approx)

Performance Range

Voltage: 3-6VDC
 Speed: 5-100rpm
 Torque: 0.05-6kg.cm

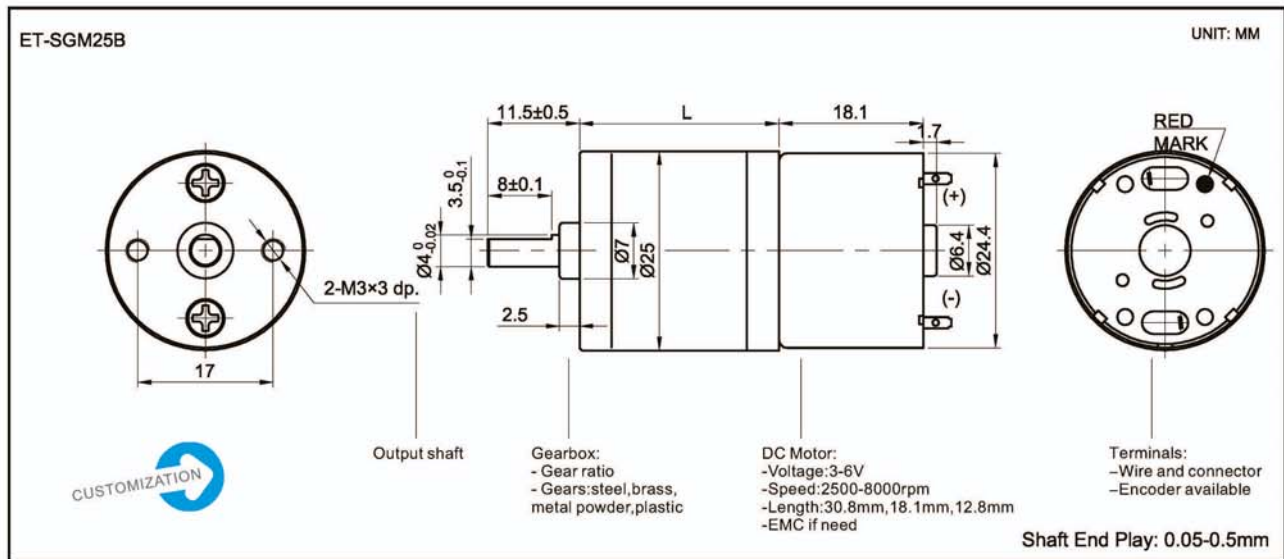
Key Features

Metal/Carbon Brush
 CW/CCW Running
 Low Noise

Typical Applications

Safe and Locking
 Electric Valve and Electric Switch
 Beauty and Health Care

| Gear Ratio Stage | 4 | 5 | 6 | 7 | 8 |
|-------------------|----|----|-----|-----|-----|
| Gear Ratio | 13 | 29 | 55 | 121 | 266 |
| | 21 | 41 | 63 | 139 | 307 |
| | | 47 | 89 | 171 | 376 |
| | | | 103 | 197 | 433 |
| | | | | 226 | 499 |
| Gearbox Length(L) | 23 | | | 27 | |



| MODEL | VOLTAGE | | NO LOAD | | AT RATED LOAD | | |
|-----------------|-----------------|---------|---------|---------|---------------|---------|--------|
| | OPERATION RANGE | NOMINAL | SPEED | CURRENT | SPEED | CURRENT | TORQUE |
| | | | r/min | A | r/min | A | kg.cm |
| ET-SGM25B-06446 | 3.0-7.2 | 6VDC | 446 | ≤0.05 | 393 | ≤0.22 | 0.1 |
| ET-SGM25B-06335 | 3.0-7.2 | 6VDC | 335 | ≤0.05 | 295 | ≤0.22 | 0.15 |
| ET-SGM25B-06257 | 3.0-7.2 | 6VDC | 257 | ≤0.05 | 213 | ≤0.22 | 0.2 |
| ET-SGM25B-06197 | 3.0-7.2 | 6VDC | 197 | ≤0.05 | 163 | ≤0.22 | 0.25 |
| ET-SGM25B-06149 | 3.0-7.2 | 6VDC | 149 | ≤0.05 | 124 | ≤0.22 | 0.3 |
| ET-SGM25B-06118 | 3.0-7.2 | 6VDC | 118 | ≤0.05 | 93 | ≤0.22 | 0.4 |
| ET-SGM25B-0689 | 3.0-7.2 | 6VDC | 89 | ≤0.05 | 71 | ≤0.22 | 0.5 |
| ET-SGM25B-0668 | 3.0-7.2 | 6VDC | 68 | ≤0.05 | 54 | ≤0.22 | 0.6 |
| ET-SGM25B-0654 | 3.0-7.2 | 6VDC | 54 | ≤0.05 | 41 | ≤0.22 | 0.8 |
| ET-SGM25B-0641 | 3.0-7.2 | 6VDC | 41 | ≤0.05 | 31 | ≤0.22 | 1 |
| ET-SGM25B-0631 | 3.0-7.2 | 6VDC | 31 | ≤0.05 | 23 | ≤0.22 | 1.3 |
| ET-SGM25B-0624 | 3.0-7.2 | 6VDC | 24 | ≤0.05 | 17 | ≤0.22 | 1.5 |
| ET-SGM25B-0618 | 3.0-7.2 | 6VDC | 18 | ≤0.05 | 13 | ≤0.22 | 2.1 |
| ET-SGM25B-0614 | 3.0-7.2 | 6VDC | 14 | ≤0.05 | 9.8 | ≤0.22 | 2.7 |
| ET-SGM25B-0611 | 3.0-7.2 | 6VDC | 11 | ≤0.05 | 7 | ≤0.22 | 3.2 |

Remarks:

1. the voltage, speed, torque, current can be customized by changing to different motors and gear ratios.





ET-SGM27-B

200PCS/Carton

Precise Spur Gear Motor

Carton size:395*325*235mm

17kg/carton(Approx)

Performance Range

Voltage: 3-6VDC
 Speed: 3-700rpm
 Torque: 0.05-7kg.cm

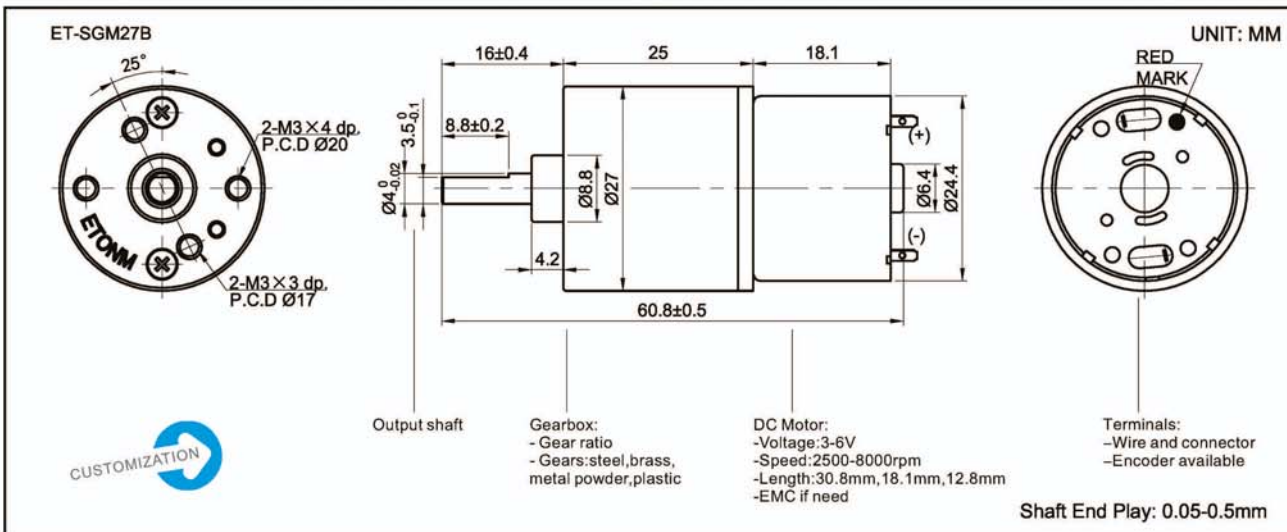
Key Features

Metal Brush
 CW/CCW Running
 High Torque

Typical Applications

Electric Valve and Meter
 Electric Drawer
 Beauty and Health Care

| Gear Ratio Stage | 3 | 4 | 5 | 6 | 7 | 8 |
|-------------------|----|----|----|-----|-----|-----|
| Gear Ratio | 10 | 21 | 43 | 92 | 188 | 392 |
| | | 27 | 61 | 110 | 193 | 438 |
| | | | | 120 | 210 | 478 |
| | | | | 139 | 250 | 521 |
| | | | | | 317 | 620 |
| Gearbox Length(L) | 25 | | | | | |



| MODEL | VOLTAGE | | NO LOAD | | AT RATED LOAD | | |
|------------------|-----------------|---------|-------------|-----------|---------------|-----------|--------------|
| | OPERATION RANGE | NOMINAL | SPEED r/min | CURRENT A | SPEED r/min | CURRENT A | TORQUE kg.cm |
| ET-SGM27B-0358 | 1.3-4.5 | 3VDC | 58 | ≤0.04 | 43 | ≤0.10 | 0.15 |
| ET-SGM27B-0329 | 1.3-4.5 | 3VDC | 29 | ≤0.04 | 22 | ≤0.10 | 0.25 |
| ET-SGM27B-0314 | 1.3-4.5 | 3VDC | 14 | ≤0.04 | 12 | ≤0.10 | 0.25 |
| ET-SGM27B-036.4 | 1.3-4.5 | 3VDC | 6.4 | ≤0.04 | 4.8 | ≤0.15 | 1.00 |
| ET-SGM27B-035.1 | 1.3-4.5 | 3VDC | 5.1 | ≤0.04 | 3.1 | ≤0.15 | 1.00 |
| ET-SGM27B-06120 | 3.0-9.0 | 6VDC | 120 | ≤0.05 | 97 | ≤0.18 | 0.25 |
| ET-SGM27B-0670 | 3.0-9.0 | 6VDC | 70 | ≤0.09 | 50 | ≤0.29 | 1.10 |
| ET-SGM27B-0658 | 3.0-9.0 | 6VDC | 58 | ≤0.05 | 44 | ≤0.18 | 0.50 |
| ET-SGM27B-0628 | 3.0-9.0 | 6VDC | 28 | ≤0.05 | 21 | ≤0.18 | 1.00 |
| ET-SGM27B-0622 | 3.0-9.0 | 6VDC | 22 | ≤0.05 | 18 | ≤0.18 | 1.2 |
| ET-SGM27B-0614 | 3.0-9.0 | 6VDC | 14 | ≤0.05 | 10 | ≤0.18 | 1.5 |
| ET-SGM27B-0610.5 | 3.0-9.0 | 6VDC | 10.5 | ≤0.05 | 8.6 | ≤0.18 | 1.6 |
| ET-SGM27B-0608 | 3.0-9.0 | 6VDC | 8 | ≤0.05 | 5.5 | ≤0.18 | 1.7 |
| ET-SGM27B-066.5 | 3.0-9.0 | 6VDC | 6.5 | ≤0.05 | 5.9 | ≤0.18 | 1.8 |
| ET-SGM27B-1228 | 6.0-15.0 | 12VDC | 28 | ≤0.05 | 21 | ≤0.12 | 0.75 |
| ET-SGM27B-126.3 | 6.0-15.0 | 12VDC | 6.3 | ≤0.05 | 5 | ≤0.12 | 3.00 |

Remarks:

1. the voltage, speed, torque, current can be customized by changing to different motors and gear ratios.

ROUND SPUR GEAR MOTOR





ET-SGM30-A

100PCS/Carton

Precise Spur Gear Motor

Carton size:405*307*242mm

16kg/carton(Approx)

Performance Range

Voltage: 6-24VDC
 Speed: 10-600rpm
 Torque: 0.5-10kg.cm

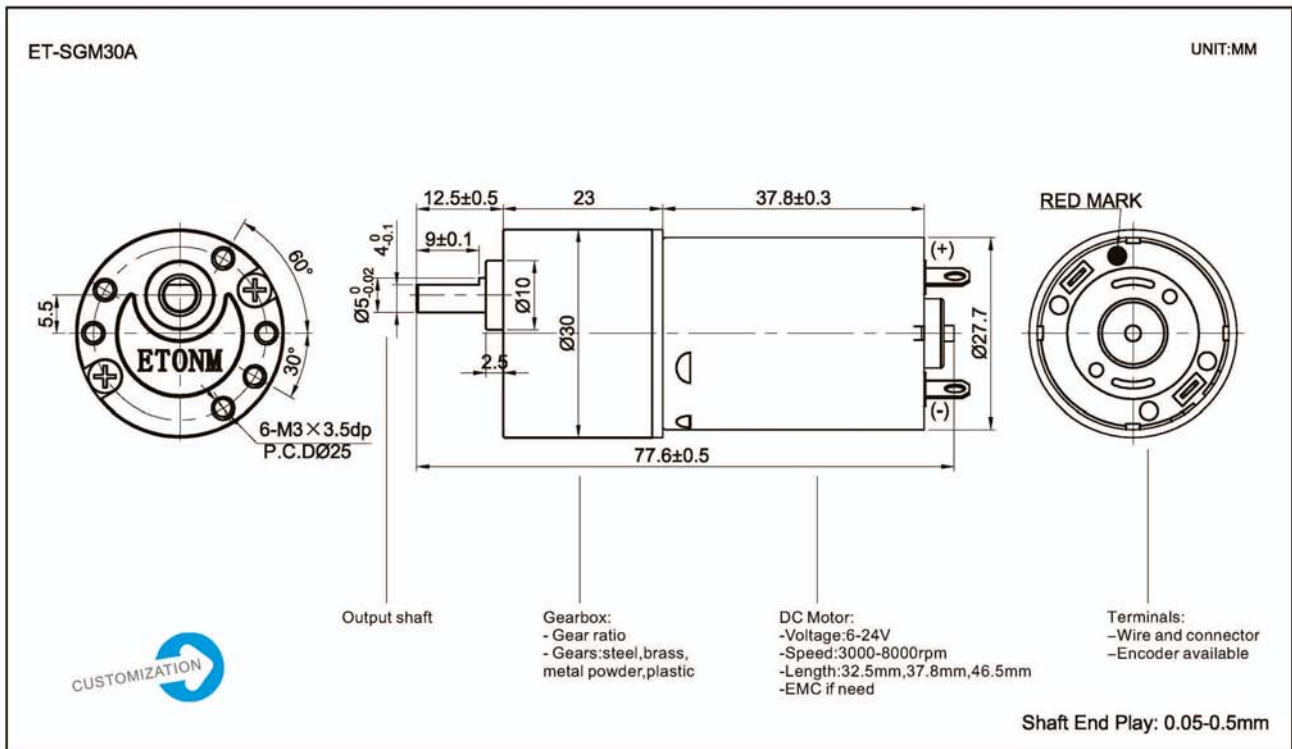
Key Features

Carbon Brush
 CW/CCW Running
 Low Noise

Typical Applications

Intelligent Cleaner
 Banking and Vending Automation
 Automotive Door Opener

| Gear Ratio Stage | 2 | 3 | 4 | 5 |
|-------------------|----|----|-----|-----|
| Gear Ratio | 10 | 20 | 60 | 120 |
| | | 30 | 90 | 180 |
| | | | 100 | 270 |
| Gearbox Length(L) | 23 | | | |



ROUND SPU R GEAR MOTOR

| MODEL | VOLTAGE | | NO LOAD | | AT RATED LOAD | | |
|-----------------|-----------------|---------|----------------|--------------|----------------|--------------|-----------------|
| | OPERATION RANGE | NOMINAL | SPEED r/min | CURRENT A | SPEED r/min | CURRENT A | TORQUE kg.cm |
| ET-SGM30A-12600 | 6.0-14.0 | 12VDC | 600 | ≤ 0.25 | 470 | ≤ 0.77 | 0.6 |
| ET-SGM30A-12300 | 6.0-14.0 | 12VDC | 300 | ≤ 0.25 | 235 | ≤ 0.77 | 1.0 |
| ET-SGM30A-12200 | 6.0-14.0 | 12VDC | 200 | ≤ 0.25 | 156 | ≤ 0.77 | 1.5 |
| ET-SGM30A-12100 | 6.0-14.0 | 12VDC | 100 | ≤ 0.25 | 78 | ≤ 0.77 | 2.7 |
| ET-SGM30A-1266 | 6.0-14.0 | 12VDC | 66 | ≤ 0.25 | 52 | ≤ 0.77 | 4.0 |
| ET-SGM30A-1260 | 6.0-14.0 | 12VDC | 60 | ≤ 0.25 | 47 | ≤ 0.77 | 4.5 |
| ET-SGM30A-1250 | 6.0-14.0 | 12VDC | 50 | ≤ 0.25 | 39 | ≤ 0.77 | 5.0 |
| ET-SGM30A-1233 | 6.0-14.0 | 12VDC | 33 | ≤ 0.25 | 26 | ≤ 0.77 | 7.5 |
| ET-SGM30A-1222 | 6.0-14.0 | 12VDC | 22 | ≤ 0.25 | 17 | ≤ 0.77 | 10* |
| ET-SGM30A-1220 | 6.0-14.0 | 12VDC | 20 | ≤ 0.25 | 15 | ≤ 0.77 | 10* |

Remarks:

1. the voltage, speed, torque, current can be customized by changing to different motors and gear ratios.





ET-SGM32-A

100PCS/Carton

Precise Spur Gear Motor

Carton size:390*273*337mm

15kg/carton(Approx)

Performance Range

Voltage: 6-24VDC
 Speed: 10-500rpm
 Torque: 0.5-15kg.cm

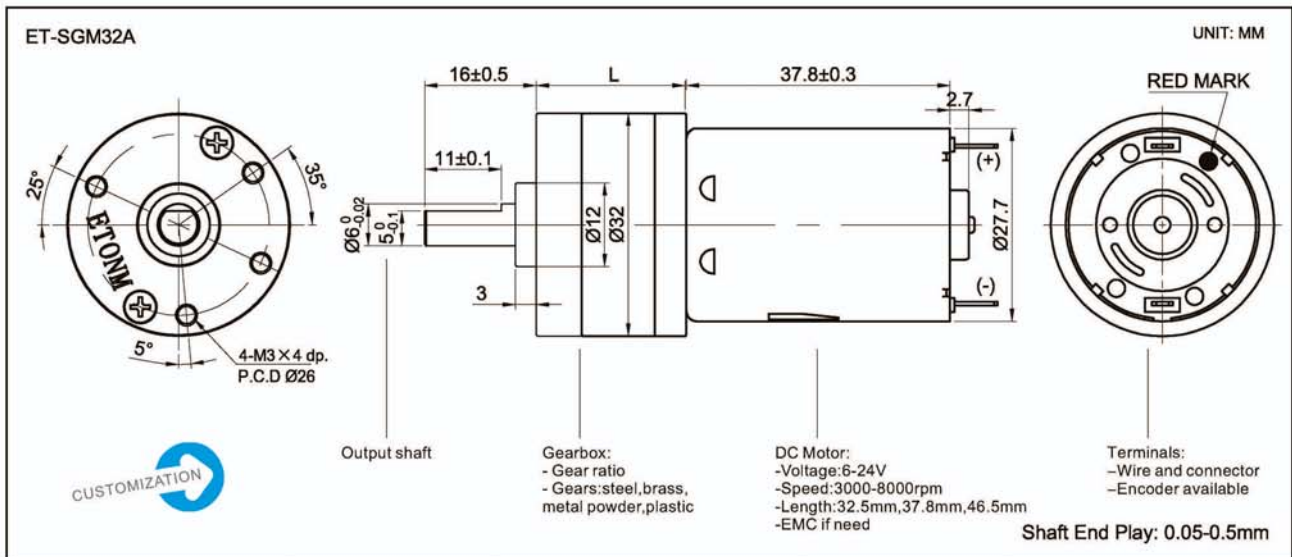
Key Features

Centre Shaft
 CW/CCW Running
 Long Lifetime

Typical Applications

Sensor Towel/Paper Dispenser
 Banking and Vending Automation
 Robotics and Shredder

| Gear Ratio Stage | 3 | 4 | 5 | 6 |
|-------------------|------|------|-----|-----|
| Gear Ratio | 13.4 | 40 | 73 | 170 |
| | | 45.5 | 94 | 219 |
| | | 52 | 121 | 282 |
| | | | 136 | 362 |
| | | | 155 | 409 |
| Gearbox Length(L) | 26.5 | | | |



| MODEL | VOLTAGE | | NO LOAD | | AT RATED LOAD | | |
|------------------|-----------------|---------|----------------|--------------|----------------|--------------|-----------------|
| | OPERATION RANGE | NOMINAL | SPEED r/min | CURRENT A | SPEED r/min | CURRENT A | TORQUE kg.cm |
| ET-SGM32A-12447 | 9.0-14.0 | 12VDC | 447 | ≤0.20 | 373 | ≤0.70 | 0.6 |
| ET-SGM32A-12150 | 9.0-14.0 | 12VDC | 150 | ≤0.20 | 125 | ≤0.70 | 1.8 |
| ET-SGM32A-12132 | 9.0-14.0 | 12VDC | 132 | ≤0.20 | 110 | ≤0.70 | 2.0 |
| ET-SGM32A-12116 | 9.0-14.0 | 12VDC | 116 | ≤0.20 | 96 | ≤0.70 | 2.3 |
| ET-SGM32A-1282 | 9.0-14.0 | 12VDC | 82 | ≤0.20 | 68.5 | ≤0.70 | 3.0 |
| ET-SGM32A-1264 | 9.0-14.0 | 12VDC | 64 | ≤0.20 | 53 | ≤0.70 | 3.9 |
| ET-SGM32A-1250 | 9.0-14.0 | 12VDC | 50 | ≤0.20 | 41 | ≤0.70 | 5.0 |
| ET-SGM32A-1244 | 9.0-14.0 | 12VDC | 44 | ≤0.20 | 37 | ≤0.70 | 5.7 |
| ET-SGM32A-1239 | 9.0-14.0 | 12VDC | 39 | ≤0.20 | 32 | ≤0.70 | 6.5 |
| ET-SGM32A-1235 | 9.0-14.0 | 12VDC | 35 | ≤0.20 | 30 | ≤0.70 | 7.0 |
| ET-SGM32A-1227 | 9.0-14.0 | 12VDC | 27 | ≤0.20 | 23 | ≤0.70 | 7.7 |
| ET-SGM32A-1222 | 9.0-14.0 | 12VDC | 22 | ≤0.20 | 18 | ≤0.70 | 9.8 |
| ET-SGM32A-1216.6 | 9.0-14.0 | 12VDC | 16.6 | ≤0.20 | 14 | ≤0.70 | 12.6 |
| ET-SGM32A-1215 | 9.0-14.0 | 12VDC | 15 | ≤0.20 | 12 | ≤0.70 | 14.0 |
| ET-SGM32A-1213 | 9.0-14.0 | 12VDC | 13 | ≤0.20 | 11 | ≤0.70 | 16.0 |

Remarks:

1. the voltage, speed, torque, current can be customized by changing to different motors and gear ratios.

ROUND SPUR GEAR MOTOR





ET-SGM32-B

100PCS/Carton

Precise Spur Gear Motor

Carton size:390*273*337mm

12kg/carton(Approx)

Performance Range

Voltage: 3-12VDC
 Speed: 10-500rpm
 Torque: 0.5-15kg.cm

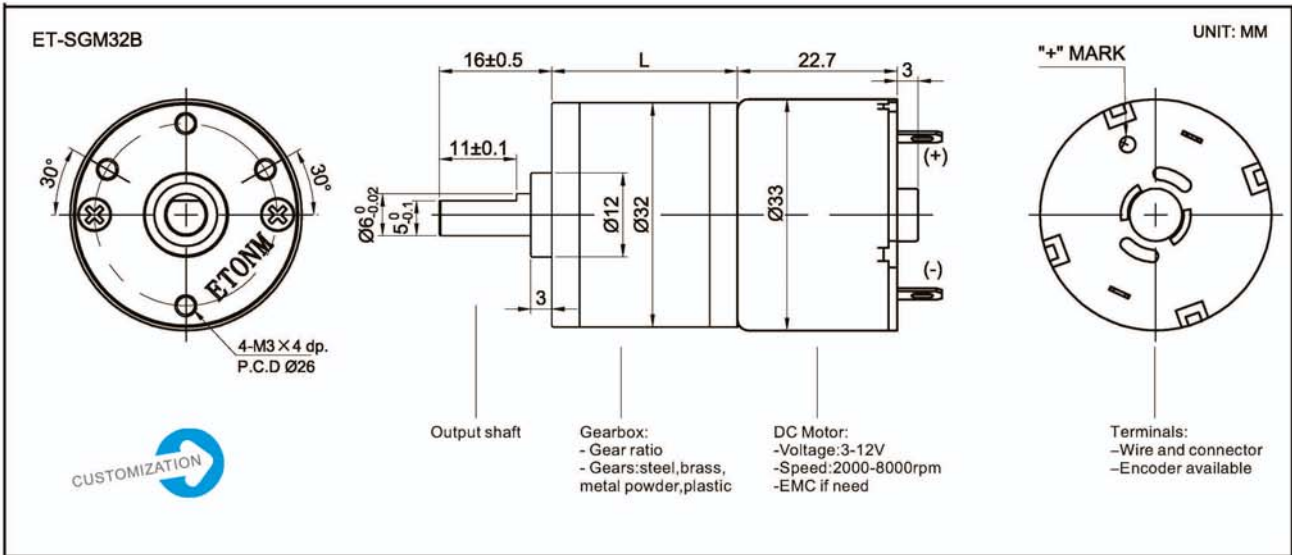
Key Features

Centre Shaft
 CW/CCW Running
 Compact size

Typical Applications

Sensor Towel/Paper Dispenser
 Banking and Vending Automation
 Robotics and Shredder

| Gear Ratio Stage | 3 | 4 | 5 | 6 |
|-------------------|------|----|-----|-----|
| Gear Ratio | 13.4 | 40 | 73 | 170 |
| | | 45 | 94 | 219 |
| | | 52 | 121 | 282 |
| | | | 136 | 362 |
| | | | 155 | 409 |
| Gearbox Length(L) | 26.5 | | | |



| MODEL | VOLTAGE | | NO LOAD | | AT RATED LOAD | | |
|------------------|-----------------|---------|----------------|--------------|----------------|--------------|-----------------|
| | OPERATION RANGE | NOMINAL | SPEED r/min | CURRENT A | SPEED r/min | CURRENT A | TORQUE kg.cm |
| ET-SGM32B-06246 | 6.0-12.0 | 6VDC | 246 | ≤0.06 | 180 | ≤0.24 | 0.3 |
| ET-SGM32B-0682.5 | 6.0-12.0 | 6VDC | 82.5 | ≤0.06 | 61 | ≤0.24 | 0.8 |
| ET-SGM32B-0673 | 6.0-12.0 | 6VDC | 73 | ≤0.06 | 54 | ≤0.24 | 1.0 |
| ET-SGM32B-0663.5 | 6.0-12.0 | 6VDC | 63.5 | ≤0.06 | 46 | ≤0.24 | 1.1 |
| ET-SGM32B-0645 | 6.0-12.0 | 6VDC | 45 | ≤0.06 | 32 | ≤0.24 | 1.5 |
| ET-SGM32B-0635 | 6.0-12.0 | 6VDC | 35 | ≤0.06 | 25 | ≤0.24 | 2.0 |
| ET-SGM32B-0627 | 6.0-12.0 | 6VDC | 27 | ≤0.06 | 19 | ≤0.24 | 2.5 |
| ET-SGM32B-0624 | 6.0-12.0 | 6VDC | 24 | ≤0.06 | 17 | ≤0.24 | 2.9 |
| ET-SGM32B-0621 | 6.0-12.0 | 6VDC | 21 | ≤0.06 | 15 | ≤0.24 | 3.3 |
| ET-SGM32B-0619 | 6.0-12.0 | 6VDC | 19 | ≤0.06 | 13 | ≤0.24 | 3.5 |
| ET-SGM32B-0615 | 6.0-12.0 | 6VDC | 15 | ≤0.06 | 10.5 | ≤0.24 | 4.6 |
| ET-SGM32B-0611.7 | 6.0-12.0 | 6VDC | 11.7 | ≤0.06 | 8 | ≤0.24 | 5.9 |
| ET-SGM32B-0609 | 6.0-12.0 | 6VDC | 9 | ≤0.06 | 6 | ≤0.24 | 7.2 |
| ET-SGM32B-0608 | 6.0-12.0 | 6VDC | 8 | ≤0.06 | 5.6 | ≤0.24 | 8.0 |
| ET-SGM32B-0607 | 6.0-12.0 | 6VDC | 7 | ≤0.06 | 4.9 | ≤0.24 | 9.0 |

Remarks:

1. the voltage, speed, torque, current can be customized by changing to different motors and gear ratios.





ET-SGM37-A

100PCS/Carton

Precise Spur Gear Motor

Carton size:390*273*337mm

17kg/carton(Approx)

Performance Range

Voltage: 12-24VDC
 Speed: 3-600rpm
 Torque: 0.5-20kg.cm

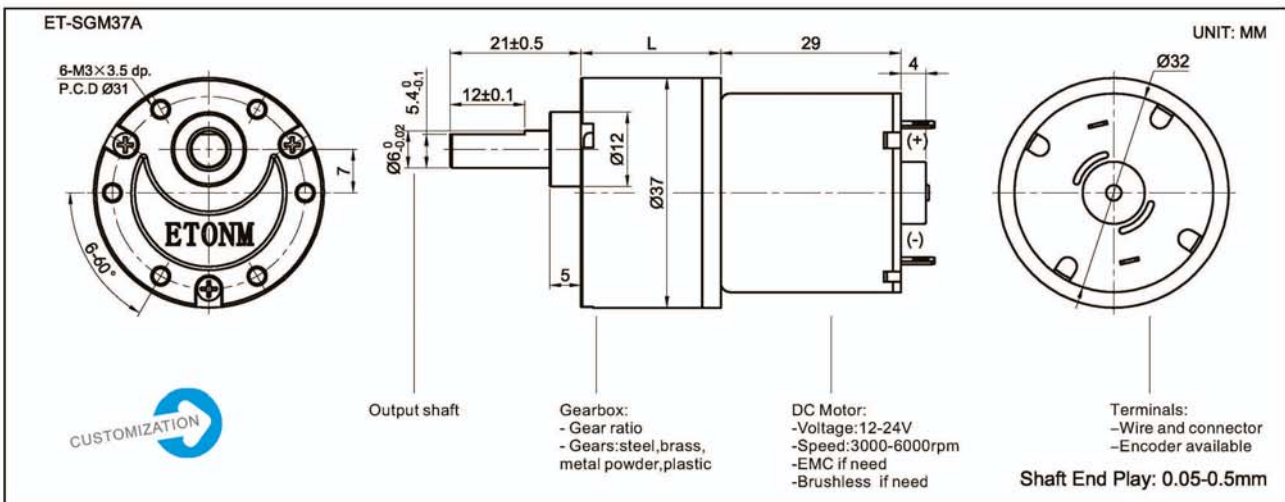
Key Features

Very Long lifetime
 Very Low Noise
 High Torque Compact Size

Typical Applications

Intelligent Cradle/Paper dispenser
 Towel Dispenser
 Toilet Seat changer

| Gear Ratio Stage | 2 | 3 | 4 | 5 | 6 |
|-------------------|------|----|----|------|-----|
| Gear Ratio | 10 | 20 | 50 | 120 | 450 |
| | | 30 | 70 | 150 | 490 |
| | | | 90 | 210 | 630 |
| | | | | 270 | 810 |
| | | | | | |
| Gearbox Length(L) | 22.5 | | | 27.5 | |



| MODEL | VOLTAGE | | NO LOAD | | AT RATED LOAD | | |
|------------------|-----------------|---------|---------|---------|---------------|---------|--------|
| | OPERATION RANGE | NOMINAL | SPEED | CURRENT | SPEED | CURRENT | TORQUE |
| | | | r/min | A | r/min | A | kg.cm |
| ET-SGM37A-12620 | 9.0-14.0 | 12VDC | 620 | ≤0.16 | 500 | ≤0.55 | 0.5 |
| ET-SGM37A-12310 | 9.0-14.0 | 12VDC | 310 | ≤0.16 | 250 | ≤0.55 | 0.9 |
| ET-SGM37A-12206 | 9.0-14.0 | 12VDC | 206 | ≤0.16 | 165 | ≤0.55 | 1.5 |
| ET-SGM37A-12124 | 9.0-14.0 | 12VDC | 124 | ≤0.16 | 98 | ≤0.55 | 2.5 |
| ET-SGM37A-1288.5 | 9.0-14.0 | 12VDC | 88.5 | ≤0.16 | 70 | ≤0.55 | 3.5 |
| ET-SGM37A-1269 | 9.0-14.0 | 12VDC | 69 | ≤0.16 | 55 | ≤0.55 | 4.5 |
| ET-SGM37A-1252 | 9.0-14.0 | 12VDC | 52 | ≤0.16 | 40 | ≤0.55 | 6 |
| ET-SGM37A-1241 | 9.0-14.0 | 12VDC | 41 | ≤0.16 | 32 | ≤0.55 | 7.5 |
| ET-SGM37A-1229.5 | 9.0-14.0 | 12VDC | 29.5 | ≤0.16 | 22 | ≤0.55 | 10 |
| ET-SGM37A-1223 | 9.0-14.0 | 12VDC | 23 | ≤0.16 | 17 | ≤0.55 | 12 |
| ET-SGM37A-1213.7 | 9.0-14.0 | 12VDC | 13.7 | ≤0.16 | 10 | ≤0.55 | 20 |
| ET-SGM37A-1210 | 6.0-12.0 | 12VDC | 10 | ≤0.16 | 7.5 | ≤0.55 | 20* |
| ET-SGM37A-127.5 | 6.0-12.0 | 12VDC | 7.5 | ≤0.16 | 6 | ≤0.55 | 20* |
| ET-SGM37A-2488.5 | 20.0-28.0 | 24VDC | 88.5 | ≤0.10 | 71 | ≤0.30 | 2.8 |
| ET-SGM37A-2469 | 20.0-28.0 | 24VDC | 69 | ≤0.10 | 55 | ≤0.30 | 3.5 |
| ET-SGM37A-2452 | 20.0-28.0 | 24VDC | 52 | ≤0.10 | 40 | ≤0.30 | 4.3 |
| ET-SGM37A-2441 | 20.0-28.0 | 24VDC | 41 | ≤0.10 | 33 | ≤0.30 | 5.4 |

Remarks:

1. the voltage, speed, torque, current can be customized by changing to different motors and gear ratios.

ROUND SPUR GEAR MOTOR





ET-SGM37B

100PCS/Carton

Precise Spur Gear Motor

Carton size:390*273*337mm

17kg/carton(Approx)

Performance Range

Voltage: 6-24VDC
 Speed: 10-600rpm
 Torque: 0.5-20kg.cm

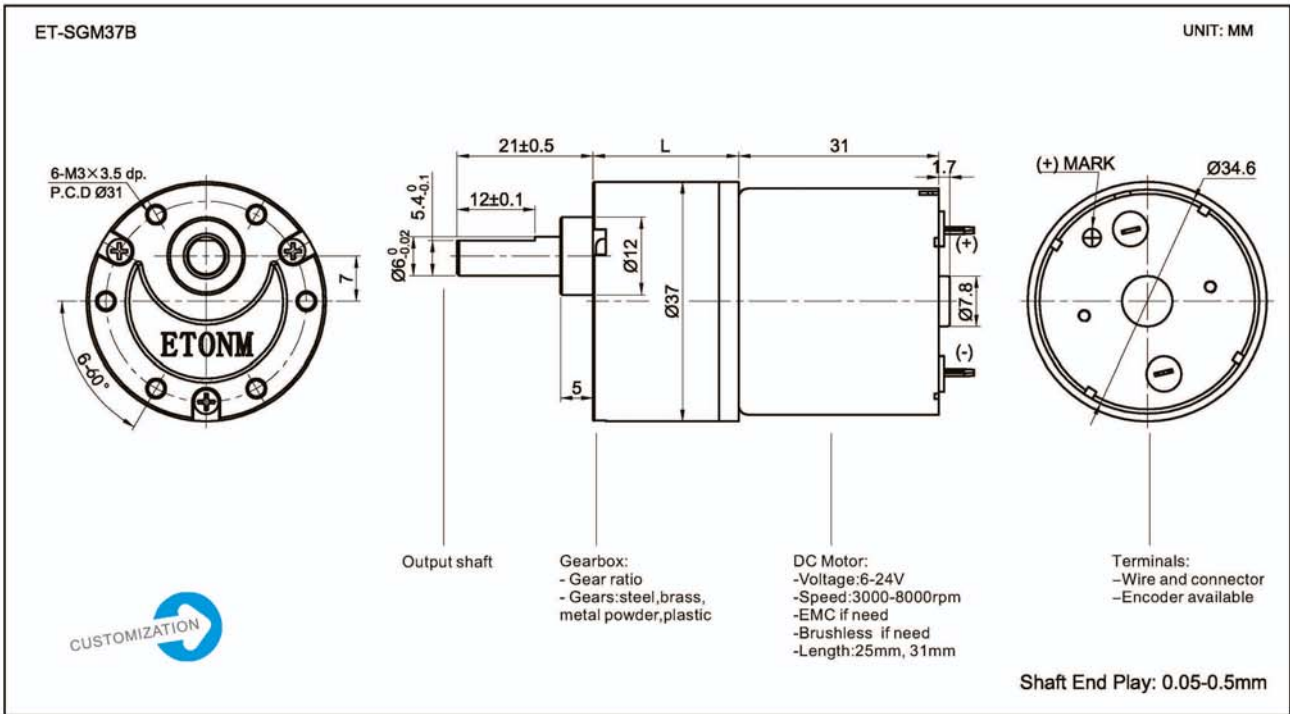
Key Features

Carbon Brush
 CW/CCW Running
 Low Noise

Typical Applications

Towel/Paper Dispenser
 Banking and Vending Automation
 Robotics and BBQ

| Gear Ratio Stage | 2 | 3 | 4 | 5 | 6 |
|-------------------|------|----|----|------|-----|
| Gear Ratio | 10 | 20 | 50 | 120 | 450 |
| | | 30 | 70 | 150 | 490 |
| | | | 90 | 210 | 630 |
| | | | | 270 | 810 |
| | | | | | |
| Gearbox Length(L) | 22.5 | | | 27.5 | |



| MODEL | VOLTAGE | | NO LOAD | | AT RATED LOAD | | |
|-----------------|-----------------|---------|---------|---------|---------------|---------|--------|
| | OPERATION RANGE | NOMINAL | SPEED | CURRENT | SPEED | CURRENT | TORQUE |
| | | | r/min | A | r/min | A | kg.cm |
| ET-SGM37B-24200 | 20.0-24.0 | 24VDC | 200 | ≤0.6 | 173 | ≤0.22 | 1 |
| ET-SGM37B-24120 | 20.0-24.0 | 24VDC | 120 | ≤0.6 | 104 | ≤0.22 | 1.6 |
| ET-SGM37B-2486 | 20.0-24.0 | 24VDC | 86 | ≤0.6 | 74 | ≤0.22 | 2.3 |
| ET-SGM37B-2466 | 20.0-24.0 | 24VDC | 66 | ≤0.6 | 58 | ≤0.22 | 3 |
| ET-SGM37B-2440 | 20.0-24.0 | 24VDC | 40 | ≤0.6 | 35 | ≤0.22 | 5 |
| ET-SGM37B-2422 | 20.0-24.0 | 24VDC | 22 | ≤0.6 | 19 | ≤0.22 | 9 |
| ET-SGM37B-249.5 | 20.0-24.0 | 24VDC | 9.5 | ≤0.6 | 8 | ≤0.22 | 20 |
| ET-SGM37B-247.4 | 20.0-24.0 | 24VDC | 7.4 | ≤0.6 | 6 | ≤0.22 | 20* |
| ET-SGM37B-063.5 | 4.5-7.2 | 6VDC | 3.5 | ≤0.08 | 3.0 | ≤0.18 | 20* |

Remarks:

1. the voltage, speed, torque, current can be customized by changing to different motors and gear ratios.



ROUND SPU R GEAR MOTOR



ET-SGM37-D

50PCS/Carton

Precise Spur Gear Motor

Carton size:270*250*282mm

18kg/carton(Approx)

Performance Range

Voltage: 12-24VDC
 Speed: 10-600rpm
 Torque: 0.5-30kg.cm

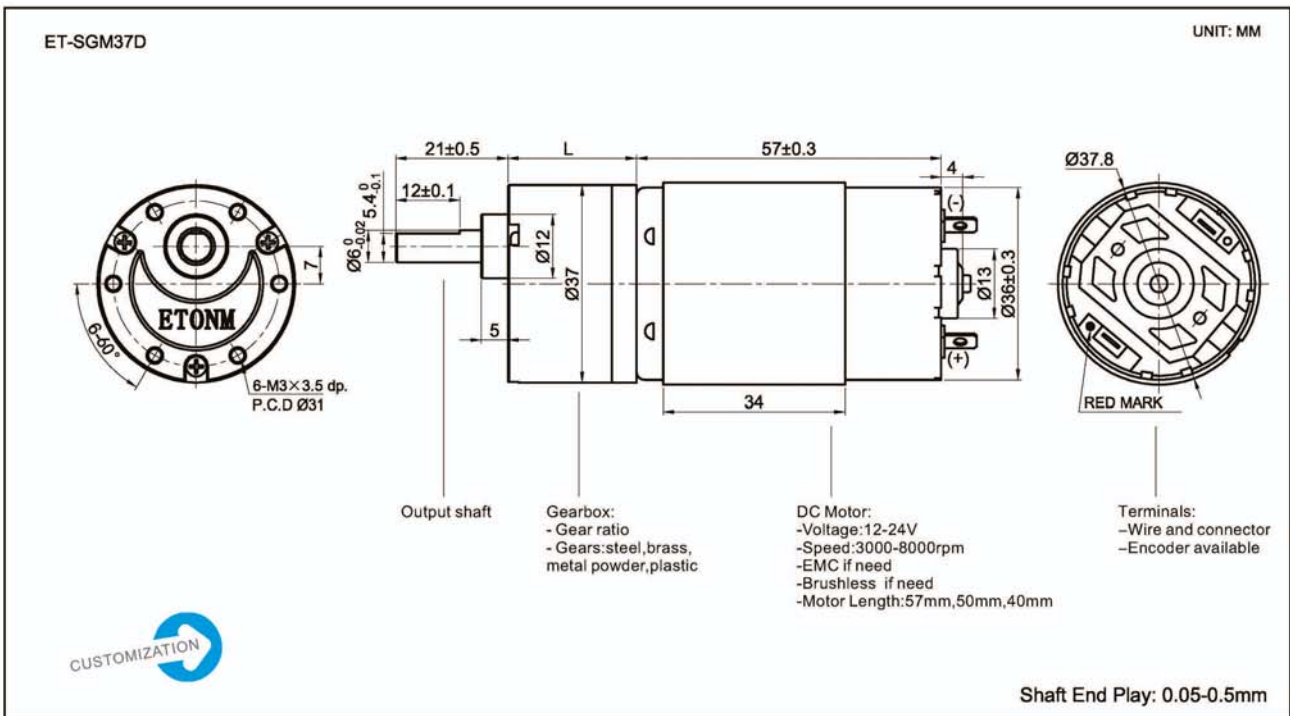
Key Features

Carbon Brush
 CW/CCW Running
 Low Noise

Typical Applications

Range Hood
 Banking and Vending Automation
 Robotics

| Gear Ratio Stage | 2 | 3 | 4 | 5 | 6 |
|-------------------|------|----|----|-----|-----|
| | 10 | 20 | 50 | 120 | 450 |
| | | 30 | 60 | 150 | 490 |
| Gear Ratio | | | 70 | 210 | 630 |
| | | | 90 | 270 | 810 |
| Gearbox Length(L) | 24.5 | | | 29 | |



ROUND SPUR GEAR MOTOR

| MODEL | VOLTAGE | | NO LOAD | | AT RATED LOAD | | |
|-----------------|-----------------|---------|---------|---------|---------------|---------|--------|
| | OPERATION RANGE | NOMINAL | SPEED | CURRENT | SPEED | CURRENT | TORQUE |
| | | | r/min | A | r/min | A | kg.cm |
| ET-SGM37D-24600 | 20.0-28.0 | 24VDC | 600 | ≤0.18 | 500 | ≤0.85 | 2.4 |
| ET-SGM37D-24300 | 20.0-28.0 | 24VDC | 300 | ≤0.18 | 250 | ≤0.85 | 4.4 |
| ET-SGM37D-24200 | 20.0-28.0 | 24VDC | 200 | ≤0.18 | 166 | ≤0.85 | 6.6 |
| ET-SGM37D-24120 | 20.0-28.0 | 24VDC | 120 | ≤0.18 | 100 | ≤0.85 | 9.9 |
| ET-SGM37D-2486 | 20.0-28.0 | 24VDC | 86 | ≤0.18 | 71 | ≤0.85 | 14 |
| ET-SGM37D-2467 | 20.0-28.0 | 24VDC | 67 | ≤0.18 | 55 | ≤0.85 | 17 |
| ET-SGM37D-2450 | 20.0-28.0 | 24VDC | 50 | ≤0.18 | 42 | ≤0.85 | 19 |
| ET-SGM37D-2440 | 20.0-28.0 | 24VDC | 40 | ≤0.18 | 33 | ≤0.85 | 24 |
| ET-SGM37D-2429 | 20.0-28.0 | 24VDC | 29 | ≤0.18 | 24 | ≤0.85 | 30* |
| ET-SGM37D-2422 | 20.0-28.0 | 24VDC | 22 | ≤0.18 | 18.5 | ≤0.85 | 30* |

Remarks:

1. the voltage, speed, torque, current can be customized by changing to different motors and gear ratios.





ET-SGM37-D2

50PCS/Carton

Precise Spur Gear Motor

Carton size:270*250*282mm

17kg/carton(Approx)

Performance Range

Voltage: 12-24VDC
 Speed: 10-600rpm
 Torque: 0.5-30kg.cm

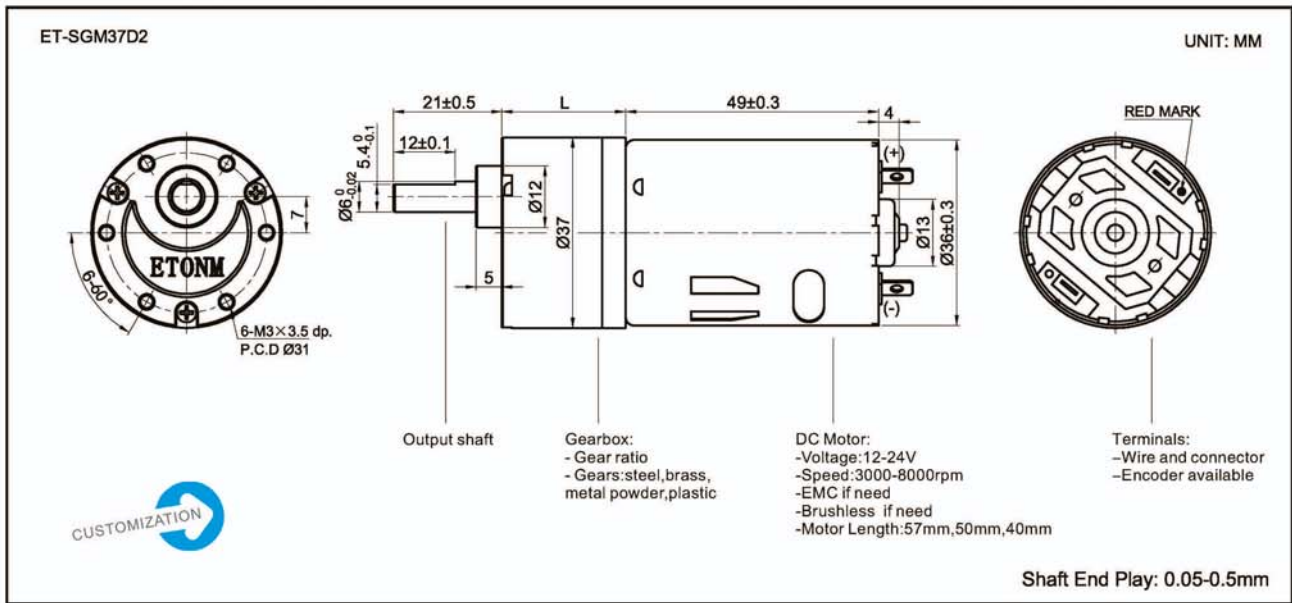
Key Features

Carbon Brush
 CW/CCW Running
 Low Noise

Typical Applications

Range Hood
 Banking and Vending Automation
 Robotics

| Gear Ratio Stage | 2 | 3 | 4 | 5 | 6 |
|-------------------|------|----|----|-----|-----|
| Gear Ratio | 10 | 20 | 50 | 120 | 450 |
| | | 30 | 60 | 150 | 490 |
| | | | 70 | 210 | 630 |
| | | | 90 | 270 | 810 |
| Gearbox Length(L) | 24.5 | | | 29 | |



| MODEL | VOLTAGE | | NO LOAD | | AT RATED LOAD | | |
|------------------|-----------------|---------|---------|---------|---------------|---------|--------|
| | OPERATION RANGE | NOMINAL | SPEED | CURRENT | SPEED | CURRENT | TORQUE |
| | | | r/min | A | r/min | A | kg.cm |
| ET-SGM37D2-12600 | 9.0-14.0 | 12VDC | 600 | ≤0.36 | 250 | ≤1.4 | 2.5 |
| ET-SGM37D2-12300 | 9.0-14.0 | 12VDC | 300 | ≤0.36 | 166 | ≤1.4 | 4 |
| ET-SGM37D2-12200 | 9.0-14.0 | 12VDC | 200 | ≤0.36 | 100 | ≤1.4 | 5.6 |
| ET-SGM37D2-12120 | 9.0-14.0 | 12VDC | 120 | ≤0.36 | 85 | ≤1.4 | 6.5 |
| ET-SGM37D2-1285 | 9.0-14.0 | 12VDC | 85 | ≤0.36 | 71 | ≤1.4 | 7.8 |
| ET-SGM37D2-1267 | 9.0-14.0 | 12VDC | 67 | ≤0.36 | 55 | ≤1.4 | 10 |
| ET-SGM37D2-1250 | 9.0-14.0 | 12VDC | 50 | ≤0.36 | 42 | ≤1.4 | 12 |
| ET-SGM37D2-1240 | 9.0-14.0 | 12VDC | 40 | ≤0.36 | 33 | ≤1.4 | 15 |
| ET-SGM37D2-1229 | 9.0-14.0 | 12VDC | 29 | ≤0.36 | 24 | ≤1.4 | 21 |
| ET-SGM37D2-1222 | 9.0-14.0 | 12VDC | 22 | ≤0.36 | 18.5 | ≤1.4 | 27 |
| ET-SGM37D2-1213 | 9.0-14.0 | 12VDC | 13 | ≤0.36 | 11 | ≤1.4 | 30* |
| ET-SGM37D2-129.5 | 9.0-14.0 | 12VDC | 9.5 | ≤0.36 | 8 | ≤1.4 | 30* |
| ET-SGM37D2-1207 | 9.0-14.0 | 12VDC | 7 | ≤0.36 | 6 | ≤1.4 | 30* |

Remarks:

1. the voltage, speed, torque, current can be customized by changing to different motors and gear ratios.





ET-SGM37-E

100PCS/Carton

Precise Spur Gear Motor

Carton size:390*273*337mm

12kg/carton(Approx)

Performance Range

Voltage: 3-12VDC
 Speed: 10-600rpm
 Torque: 0.1-15kg.cm

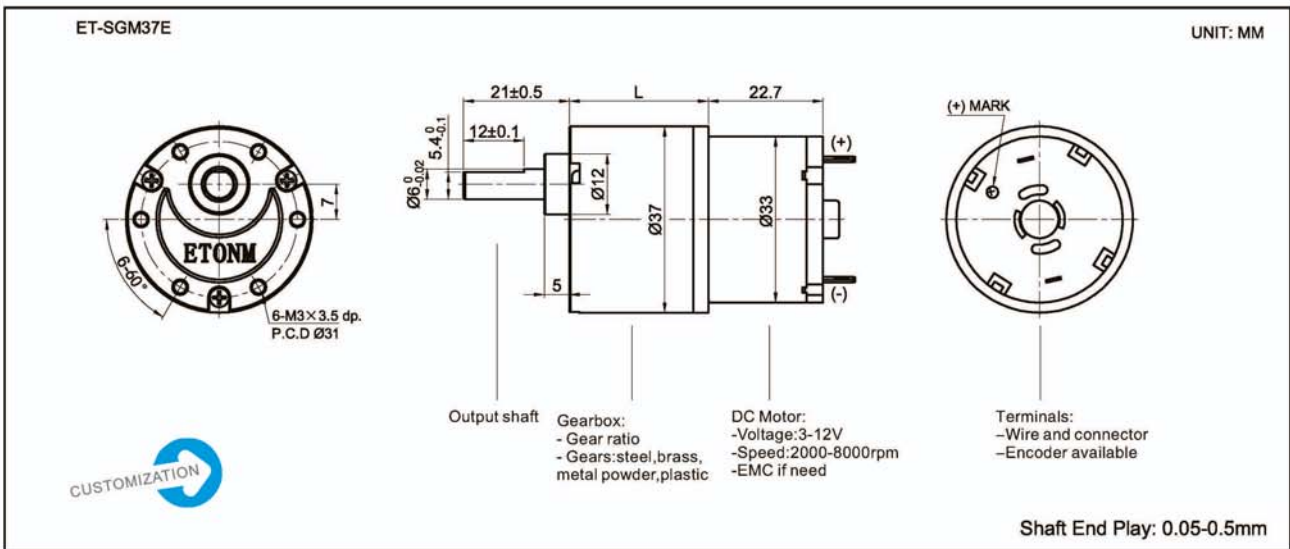
Key Features

Metal/Carbon Brush
 CW/CCW Running
 Low Noise

Typical Applications

BBQ
 Electric Curtain
 Sensor Towel/Paper Dispenser

| Gear Ratio Stage | 2 | 3 | 4 | 5 | 6 |
|-------------------|------|----|----|------|-----|
| Gear Ratio | 10 | 20 | 50 | 120 | 450 |
| | | 30 | 70 | 150 | 490 |
| | | | 90 | 210 | 630 |
| | | | | 270 | 810 |
| Gearbox Length(L) | 22.5 | | | 27.5 | |



| MODEL | VOLTAGE | | NO LOAD | | AT RATED LOAD | | |
|-----------------|-----------------|---------|----------------|--------------|----------------|--------------|-----------------|
| | OPERATION RANGE | NOMINAL | SPEED r/min | CURRENT A | SPEED r/min | CURRENT A | TORQUE kg.cm |
| ET-SGM37E-06330 | 6.0-12.0 | 6VDC | 330 | ≤0.06 | 280 | ≤0.18 | 0.16 |
| ET-SGM37E-06165 | 6.0-12.0 | 6VDC | 165 | ≤0.06 | 140 | ≤0.18 | 0.29 |
| ET-SGM37E-06110 | 6.0-12.0 | 6VDC | 110 | ≤0.06 | 93 | ≤0.18 | 0.44 |
| ET-SGM37E-06666 | 6.0-12.0 | 6VDC | 66 | ≤0.06 | 56 | ≤0.18 | 0.66 |
| ET-SGM37E-0647 | 6.0-12.0 | 6VDC | 47 | ≤0.06 | 40 | ≤0.18 | 0.9 |
| ET-SGM37E-0636 | 6.0-12.0 | 6VDC | 36 | ≤0.06 | 31 | ≤0.18 | 1.2 |
| ET-SGM37E-0627 | 6.0-12.0 | 6VDC | 27 | ≤0.06 | 23 | ≤0.18 | 1.4 |
| ET-SGM37E-0622 | 6.0-12.0 | 6VDC | 22 | ≤0.06 | 18.6 | ≤0.18 | 1.8 |
| ET-SGM37E-0616 | 6.0-12.0 | 6VDC | 16 | ≤0.06 | 13 | ≤0.18 | 2.5 |
| ET-SGM37E-0612 | 6.0-12.0 | 6VDC | 12 | ≤0.06 | 10 | ≤0.18 | 3.2 |
| ET-SGM37E-067.3 | 6.0-12.0 | 6VDC | 7.3 | ≤0.06 | 6 | ≤0.18 | 4.9 |
| ET-SGM37E-066.7 | 6.0-12.0 | 6VDC | 6.7 | ≤0.06 | 4.4 | ≤0.18 | 6.8 |
| ET-SGM37E-0604 | 6.0-12.0 | 6VDC | 4 | ≤0.06 | 3.5 | ≤0.18 | 8.7 |
| ET-SGM37E-063.5 | 6.0-12.0 | 6VDC | 3.5 | ≤0.07 | 2.6 | ≤0.20 | 10 |

Remarks:

1. the voltage, speed, torque, current can be customized by changing to different motors and gear ratios.

ROUND SPUR GEAR MOTOR





ET-SGM37-F

100PCS/Carton

Precise Spur Gear Motor

Carton size:390*273*337mm

17kg/carton(Approx)

Performance Range

Voltage: 6-24VDC
 Speed: 10-600rpm
 Torque: 0.5-10kg.cm

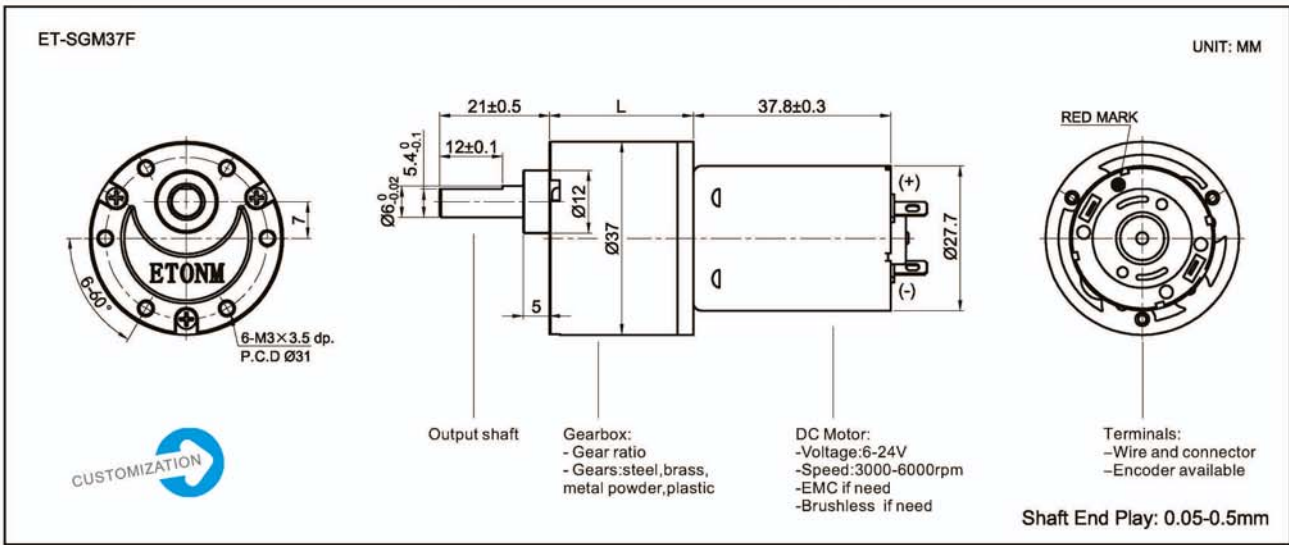
Key Features

Carbon Brush
 CW/CCW Running
 Low Noise

Typical Applications

Coffee Machine
 Banking and Vending Automation
 Robotics

| Gear Ratio Stage | 2 | 3 | 4 | 5 | 6 |
|-------------------|------|----|----|------|-----|
| Gear Ratio | 10 | 20 | 50 | 120 | 450 |
| | | 30 | 70 | 150 | 490 |
| | | | 90 | 210 | 630 |
| Gearbox Length(L) | 22.5 | | | 27.5 | |



| MODEL | VOLTAGE | | NO LOAD | | AT RATED LOAD | | |
|-----------------|------------------------|---------|---------|---------|---------------|---------|--------|
| | OPERATI ON RANGE | NOMINAL | SPEED | CURRENT | SPEED | CURRENT | TORQUE |
| | | | r/min | A | r/min | A | kg.cm |
| ET-SGM37F-12600 | 6.0-12.0 | 12.0 | 600 | ≤0.16 | 480 | ≤0.55 | 0.6 |
| ET-SGM37F-12300 | 6.0-12.0 | 12.0 | 300 | ≤0.16 | 240 | ≤0.55 | 1 |
| ET-SGM37F-12200 | 6.0-12.0 | 12.0 | 200 | ≤0.16 | 160 | ≤0.55 | 1.5 |
| ET-SGM37F-12120 | 6.0-12.0 | 12.0 | 120 | ≤0.16 | 96 | ≤0.55 | 2.3 |
| ET-SGM37F-1285 | 6.0-12.0 | 12.0 | 85 | ≤0.16 | 68 | ≤0.55 | 3.2 |
| ET-SGM37F-1267 | 6.0-12.0 | 12.0 | 67 | ≤0.16 | 53 | ≤0.55 | 4.1 |
| ET-SGM37F-1250 | 6.0-12.0 | 12.0 | 50 | ≤0.16 | 40 | ≤0.55 | 5 |
| ET-SGM37F-1240 | 6.0-12.0 | 12.0 | 40 | ≤0.16 | 32 | ≤0.55 | 6.3 |
| ET-SGM37F-1229 | 6.0-12.0 | 12.0 | 29 | ≤0.16 | 23 | ≤0.55 | 8.8 |
| ET-SGM37F-1222 | 6.0-12.0 | 12.0 | 22 | ≤0.16 | 18 | ≤0.55 | 11 |
| ET-SGM37F-1213 | 6.0-12.0 | 12.0 | 13 | ≤0.16 | 10 | ≤0.55 | 17 |
| ET-SGM37F-1212 | 6.0-12.0 | 12.0 | 12 | ≤0.16 | 9.7 | ≤0.55 | 18 |
| ET-SGM37F-129.5 | 6.0-12.0 | 12.0 | 9.5 | ≤0.16 | 7.6 | ≤0.55 | 24 |
| ET-SGM37F-1207 | 6.0-12.0 | 12.0 | 7 | ≤0.16 | 5.9 | ≤0.55 | 30 |

Remarks:

1. the voltage, speed, torque, current can be customized by changing to different motors and gear ratios.





ET-SGM37-G

100PCS/Carton

Precise Spur Gear Motor

Carton size:390*273*337mm

11kg/carton(Approx)

Performance Range

Voltage: 3-12VDC
 Speed: 30-600rpm
 Torque: 0.1-15kg.cm

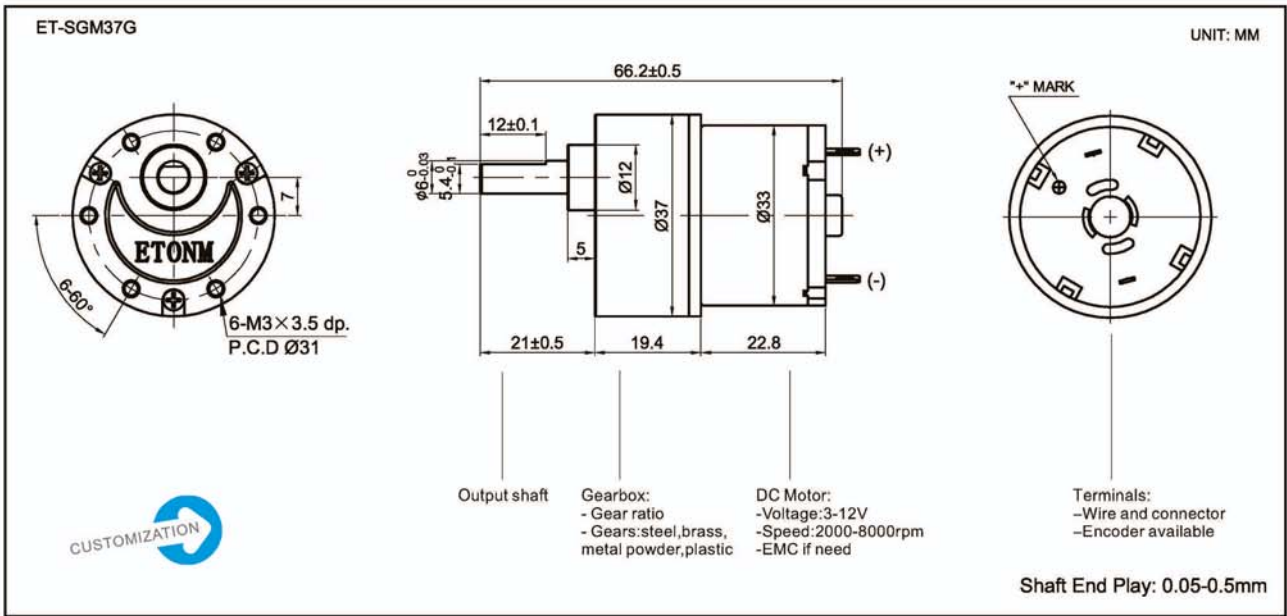
Key Features

High Compact size
 CW/CCW Running
 Low Noise

Typical Applications

BBQ
 Electric Valve
 Sensor Towel/Paper Dispenser

| | | | |
|-------------------|------|----|----|
| Gear Ratio Stage | 2 | 3 | 4 |
| Gear Ratio | 10 | 30 | 90 |
| Gearbox Length(L) | 19.4 | | |



| MODEL | VOLTAGE | | NO LOAD | | AT RATED LOAD | | |
|-----------------|-----------------|---------|---------|---------|---------------|---------|--------|
| | OPERATION RANGE | NOMINAL | SPEED | CURRENT | SPEED | CURRENT | TORQUE |
| | | | r/min | A | r/min | A | kg.cm |
| ET-SGM37G-06330 | 6.0-12.0 | 6VDC | 330 | ≤0.07 | 260 | ≤0.22 | 0.19 |
| ET-SGM37G-06110 | 6.0-12.0 | 6VDC | 110 | ≤0.07 | 86 | ≤0.22 | 0.5 |
| ET-SGM37G-0636 | 6.0-12.0 | 6VDC | 36 | ≤0.07 | 25 | ≤0.22 | 2.2 |
| ET-SGM37G-12600 | 6.0-12.0 | 12VDC | 600 | ≤0.09 | 480 | ≤0.28 | 0.24 |
| ET-SGM37G-12200 | 6.0-12.0 | 12VDC | 200 | ≤0.09 | 160 | ≤0.28 | 0.72 |
| ET-SGM37G-1266 | 6.0-12.0 | 12VDC | 66 | ≤0.09 | 53 | ≤0.28 | 2.1 |
| | | | | | | | |
| | | | | | | | |
| | | | | | | | |
| | | | | | | | |
| | | | | | | | |
| | | | | | | | |
| | | | | | | | |
| | | | | | | | |
| | | | | | | | |

Remarks:
 1. the voltage, speed, torque, current can be customized by changing to different motors and gear ratios.



ROUND SPUR GEAR MOTOR



ET-SGM51-B

30PCS/Carton

Precise Spur Gear Motor

Carton size:357*300*220mm

15kg/carton(Approx)

Performance Range

Voltage: 12-24VDC
 Speed: 10-600rpm
 Torque: 2-60kg.cm

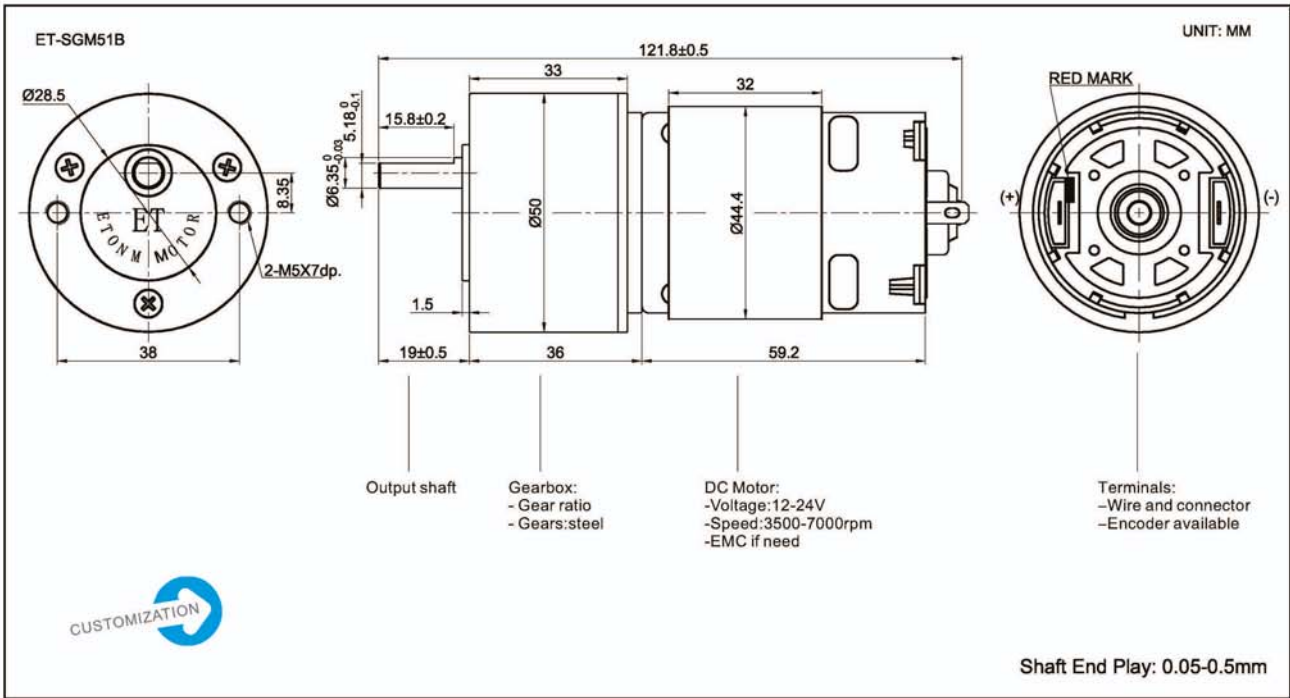
Key Features

Long lifetime
 Low Noise
 CW/CCW Running

Typical Applications

Vending and Banking System
 Equipment and Apparatus
 Robotics

| Gear Ratio Stage | 2 | 3 | 4 | 5 | 6 |
|-------------------|------|------|------|-----|------|
| Gear Ratio | 5.9 | 19.7 | 65.5 | 218 | 728 |
| | 9.9 | 33 | 110 | 367 | 1223 |
| Gearbox Length(L) | 37.5 | | | | |



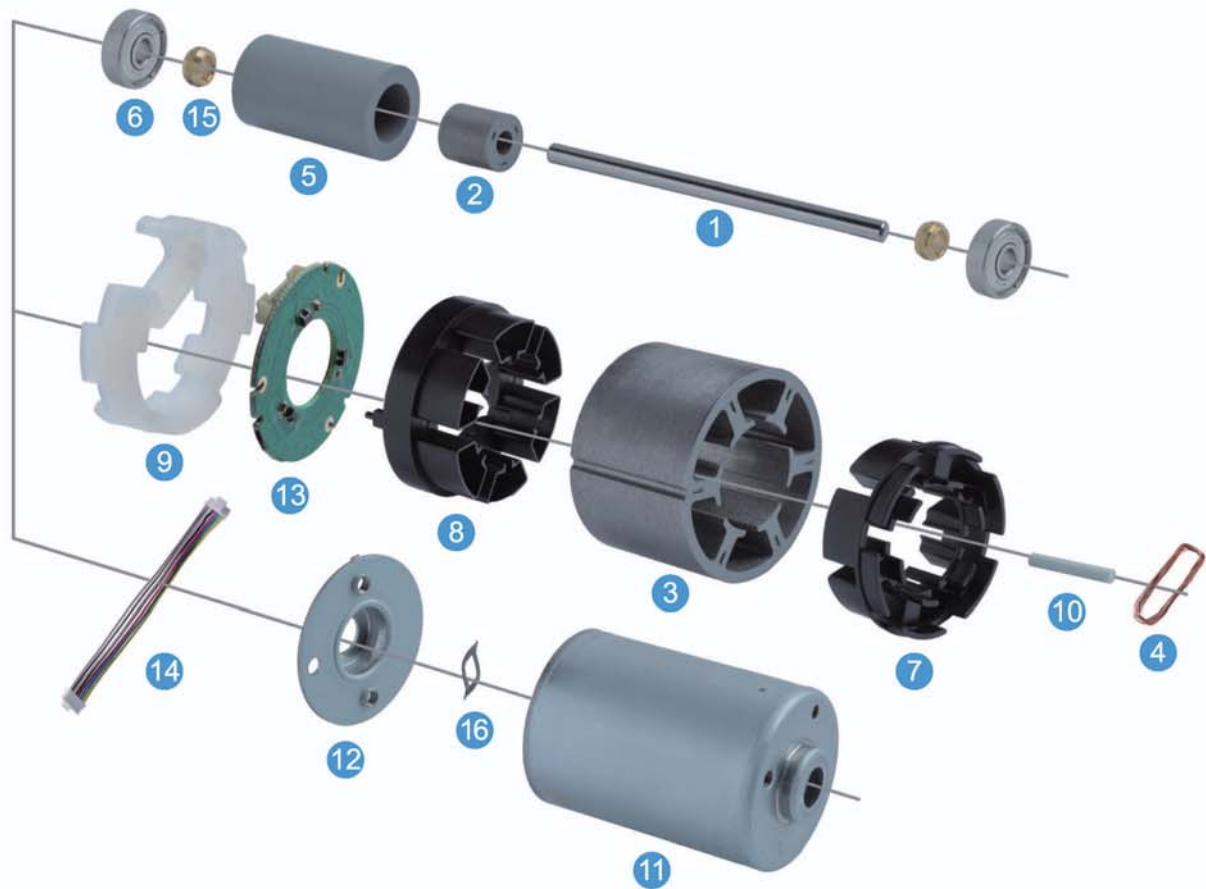
| MODEL | VOLTAGE | | NO LOAD | | AT RATED LOAD | | |
|------------------|-----------------|---------|---------|---------|---------------|---------|--------|
| | OPERATION RANGE | NOMINAL | SPEED | CURRENT | SPEED | CURRENT | TORQUE |
| | | | r/min | A | r/min | A | kg.cm |
| ET-SGM51B-121200 | 9.0-14.0 | 12VDC | 1200 | ≤0.7 | 1000 | ≤6.0 | 2.4 |
| ET-SGM51B-12700 | 9.0-14.0 | 12VDC | 700 | ≤0.7 | 600 | ≤6.0 | 4 |
| ET-SGM51B-12375 | 9.0-14.0 | 12VDC | 375 | ≤0.7 | 280 | ≤6.0 | 7 |
| ET-SGM51B-12210 | 9.0-14.0 | 12VDC | 210 | ≤0.7 | 168 | ≤6.0 | 12 |
| ET-SGM51B-12110 | 9.0-14.0 | 12VDC | 110 | ≤0.7 | 85 | ≤6.0 | 22 |
| ET-SGM51B-1264 | 9.0-14.0 | 12VDC | 64 | ≤0.7 | 48 | ≤6.0 | 36 |
| ET-SGM51B-1232 | 9.0-14.0 | 12VDC | 32 | ≤0.7 | 25 | ≤6.0 | 60* |
| ET-SGM51B-1219 | 9.0-14.0 | 12VDC | 19 | ≤0.7 | 13 | ≤6.0 | 60* |
| ET-SGM51B-1210 | 9.0-14.0 | 12VDC | 10 | ≤0.7 | 7 | ≤6.0 | 60* |
| ET-SGM51B-1206 | 9.0-14.0 | 12VDC | 6 | ≤0.7 | 4 | ≤6.0 | 60* |

Remarks:

1. the voltage, speed, torque, current can be customized by changing to different motors and gear ratios.



ROUND SPU R GEAR MOTOR



1 SHAFT / 轴

2 ROTOR CORE / 转子铁芯

3 STATOR CORE / 定子铁芯

4 ENAMELLED WIRE / 漆包线

5 MAGNET / 磁石

6 BALL BEARING / 滚珠轴承

7 FRONT BRACKET / 前线架

8 REAR BRACKET / 后线架

9 MOTOR RUBBER GASKET / 电机胶垫

10 INSULATING VARNISHED SLEEVE / 绝缘漆套管

11 HOUSING / 铁壳

12 METAL CAP / 铁后盖

13 HALL PLATE / 霍尔板

14 LEAD WIRE / 引线组件

15 ROTOR RETAINER / 止推环

16 SPRING WASHER / 波形垫圈



ET-DCM2418BL

ETONM MOTOR

Brushless DC Motor

WEIGHT: 30g(Approx)

Performance Range

Voltage: 3-12VDC
 Speed: 2000-8000rpm
 Torque: 10-35g.cm

Key Features

Long Lifetime
 Built-in Driver
 Low Noise

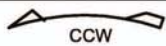
Typical Applications

Home and Office Automation
 Humidifier and Exhaust Fan
 Conveyor Robot

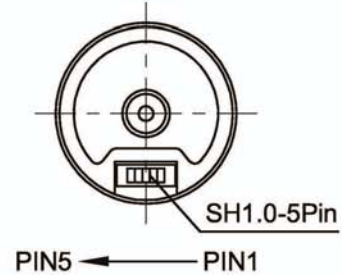
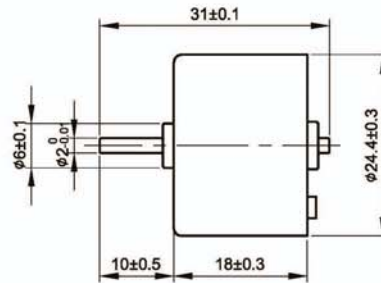
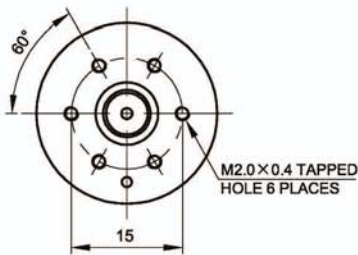
| MODEL | VOLTAGE | | NO LOAD | | AT RATED LOAD | | | AT STALL | |
|---------------------|---------------|--------------|--------------|--------------|---------------|--------------|----------------|----------------|--------------|
| | WORKING RANGE | NOMINAL | SPEED rpm | CURRENT A | SPEED rpm | CURRENT A | TORQUE g.cm | TORQUE g.cm | CURRENT A |
| ET-DCM2418BL-063100 | 5.0-8.0 | 6V CONSTANT | 3100 | 0.08 | 2700 | 0.15 | 10 | 74 | 0.39 |
| ET-DCM2418BL-126000 | 8.0-14.0 | 12V CONSTANT | 6000 | 0.049 | 4750 | 0.135 | 15 | 70 | 0.46 |

UNIT: MM

DIRECTION OF ROTATION

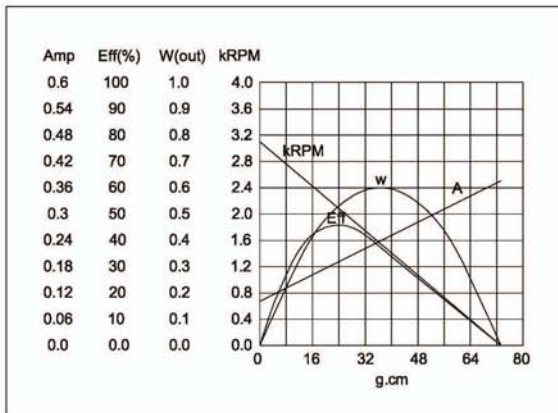


1. GND
2. Vcc 6VDC
3. FG signal Feedback(Open Drain Output, 2PPR)
4. PWM Speed Adjusting(0-0.5V not running, 0.5-3.0V speed adjusting, 3.0-3.3V full speed)
5. CW/CCW Switch(Connect to GND with CW, Free with CCW)



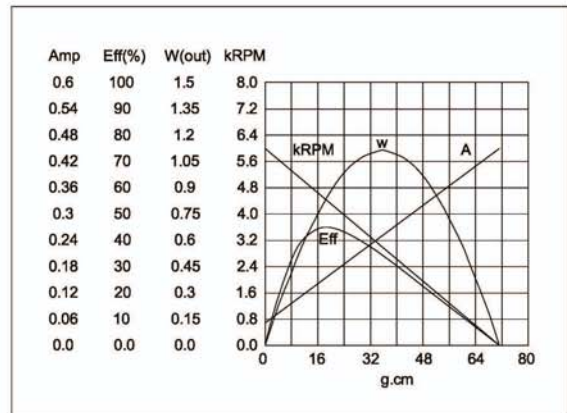
ET-DCM2418BL-063100

6V



ET-DCM2418BL-126000

12V





ET-DCM2430BL

ETONM MOTOR

Brushless DC Motor

WEIGHT: 55g(Approx)

Performance Range

Voltage: 3-24VDC
 Speed: 2000-8000rpm
 Torque: 10-35g.cm

Key Features

Long Lifetime
 Built-in Driver
 Low Noise

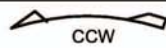
Typical Applications

Home and Office Automation
 Humidifier and Exhaust Fan
 Conveyor Robot

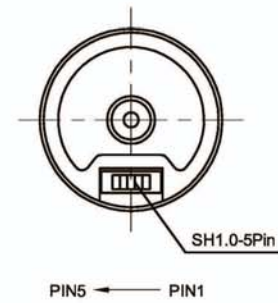
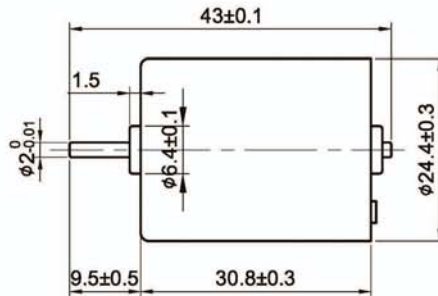
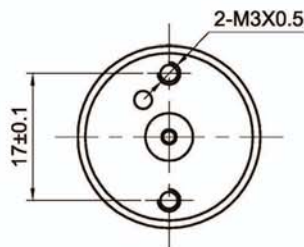
| MODEL | VOLTAGE | | NO LOAD | | AT RATED LOAD | | | AT STALL | |
|---------------------|---------------|--------------|---------|---------|---------------|---------|--------|----------|---------|
| | WORKING RANGE | NOMINAL | SPEED | CURRENT | SPEED | CURRENT | TORQUE | TORQUE | CURRENT |
| | | | rpm | A | rpm | A | g.cm | g.cm | A |
| ET-DCM2430BL-126000 | 10.0-14.0 | 12V CONSTANT | 6000 | 0.13 | 5500 | 0.29 | 30 | 284 | 1.73 |
| ET-DCM2430BL-247800 | 18.0-26.0 | 24V CONSTANT | 7800 | 0.09 | 6800 | 0.135 | 50 | 370 | 1.49 |

UNIT: MM

DIRECTION OF ROTATION

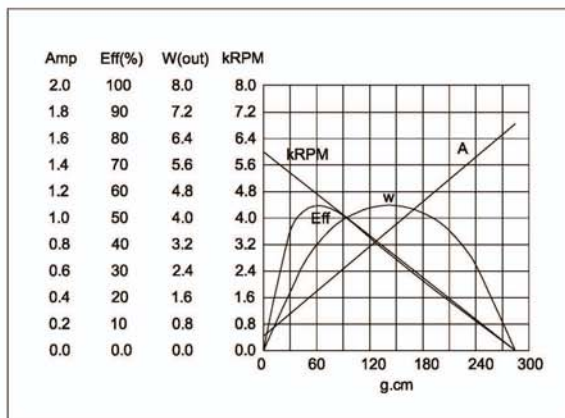


1. GND
2. Vcc 12V
3. FG signal Feedback(Open Drain Output, 3PPR)
4. PWM (5-25KHz)Speed Adjusting(0-0.5V not running, 0.5-4.5V speed adjusting, 4.5-5.0V full speed)
5. CW/CCW Switch(voltage range 0-5.5V. 0-0.7V with CW, 3-5.5V or free with CCW)



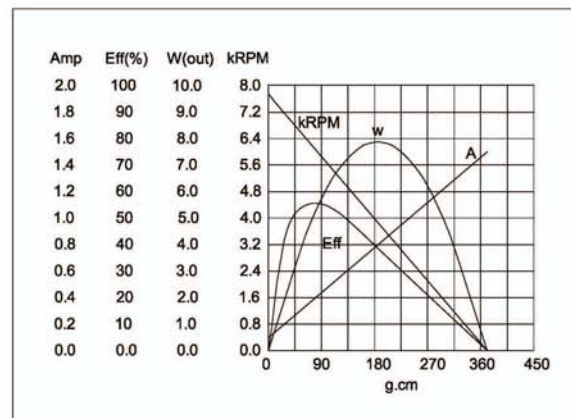
ET-DCM2430BL-126000

12V



ET-DCM2430BL-247800

24V





ET-DCM2838BL

ETONM MOTOR

Brushless DC Motor

WEIGHT: 81g(Approx)

Performance Range

Voltage: 6-24VDC
 Speed: 2000-8000rpm
 Torque: 30-70g.cm

Key Features

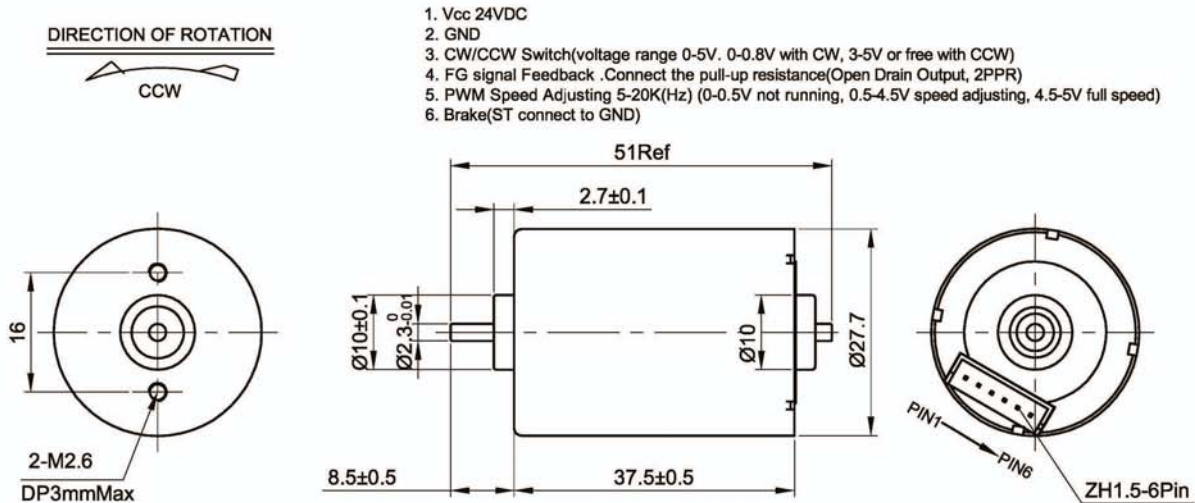
Long Lifetime
 Built-in Driver
 Low Noise

Typical Applications

Home and Office Automation
 Pump and Actuator
 Conveyor Robot

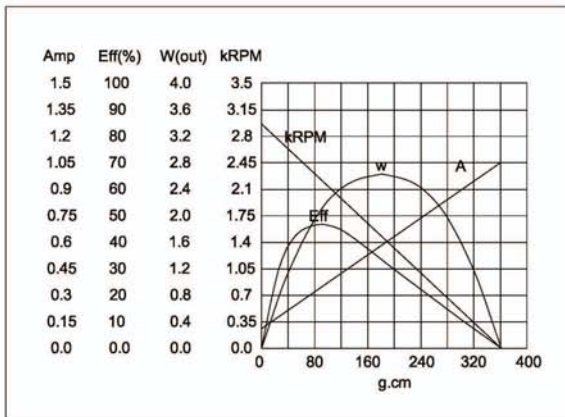
| MODEL | VOLTAGE | | NO LOAD | | AT RATED LOAD | | | AT STALL | |
|---------------------|---------------|--------------|---------|---------|---------------|---------|--------|----------|---------|
| | WORKING RANGE | NOMINAL | SPEED | CURRENT | SPEED | CURRENT | TORQUE | TORQUE | CURRENT |
| | | | rpm | A | rpm | A | g.cm | g.cm | A |
| ET-DCM2838BL-122900 | 8.0-16.0 | 12V CONSTANT | 2900 | 0.11 | 2500 | 0.24 | 50 | 362 | 1.05 |
| ET-DCM2838BL-246500 | 20.0-26.0 | 24V CONSTANT | 6500 | 0.12 | 5700 | 0.3 | 60 | 488 | 1.58 |

UNIT: MM



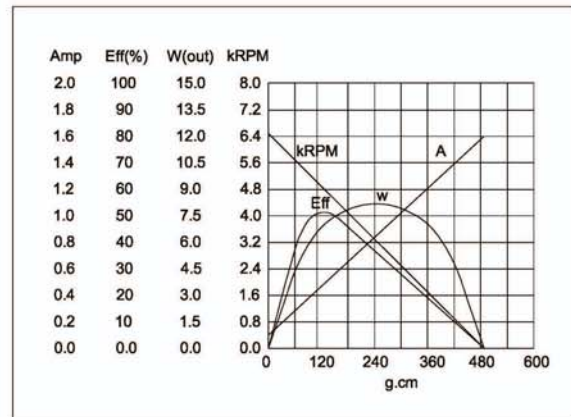
ET-DCM2838BL-122900

12V



ET-DCM2838BL-246500

24V



BRUSHLESS DC MOTOR





ET-DCM2846BL

Brushless DC Motor

ETONM MOTOR
WEIGHT: 110g(Approx)

Performance Range

Voltage: 6-24VDC
Speed: 2000-8000rpm
Torque: 30-100g.cm

Key Features

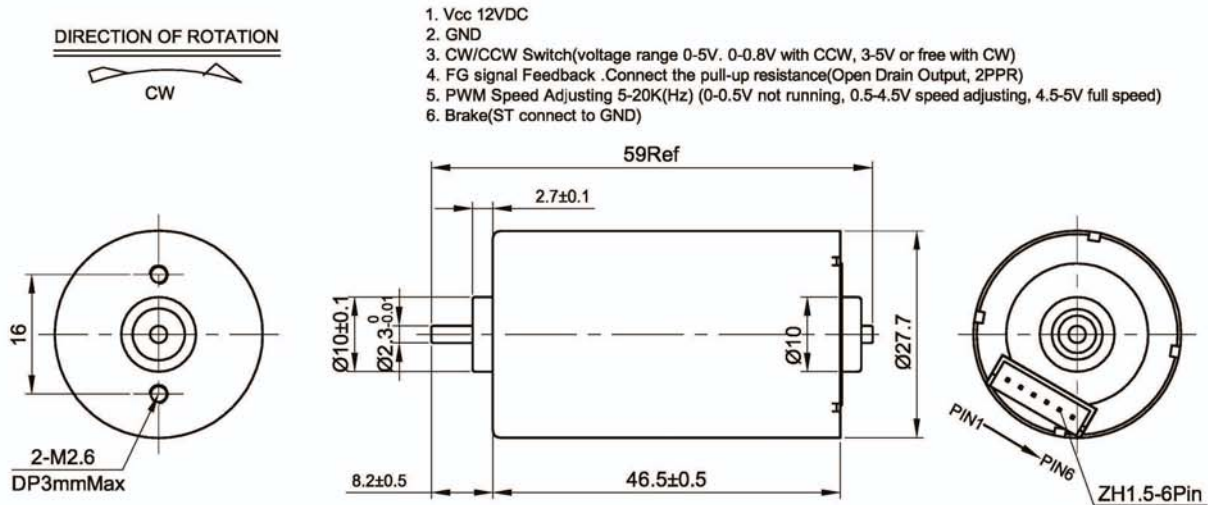
Long Lifetime
Built-in Driver
Low Noise

Typical Applications

Home and Office Automation
Pump and Actuator
Conveyor Robot

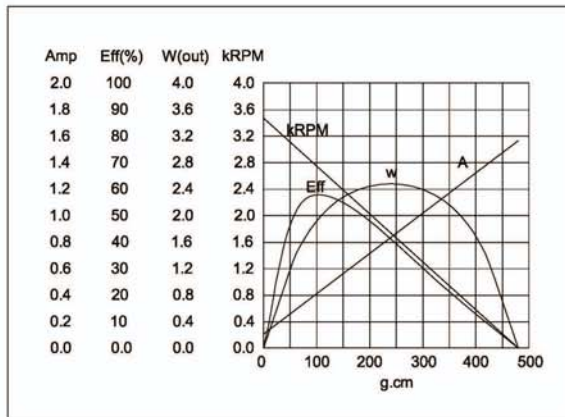
| MODEL | VOLTAGE | | NO LOAD | | AT RATED LOAD | | | AT STALL | |
|---------------------|---------------|--------------|---------|---------|---------------|---------|--------|----------|---------|
| | WORKING RANGE | NOMINAL | SPEED | CURRENT | SPEED | CURRENT | TORQUE | TORQUE | CURRENT |
| | | | rpm | A | rpm | A | g.cm | g.cm | A |
| ET-DCM2846BL-123500 | 8.0-16.0 | 12V CONSTANT | 3500 | 0.105 | 2700 | 0.44 | 110 | 481 | 1.67 |
| ET-DCM2846BL-126050 | 8.0-16.0 | 12V CONSTANT | 6050 | 0.22 | 5250 | 0.87 | 120 | 908 | 5.13 |

UNIT: MM



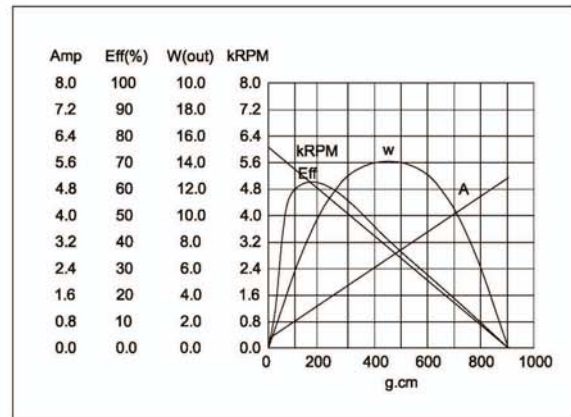
ET-DCM2846BL-123500

12V



ET-DCM2846BL-126050

12V





ET-DCM3626BL

Brushless DC Motor

ETONM MOTOR

WEIGHT: 86g(Approx)

Performance Range

Voltage: 6-24VDC
 Speed: 2000-8000rpm
 Torque: 30-70g.cm

Key Features

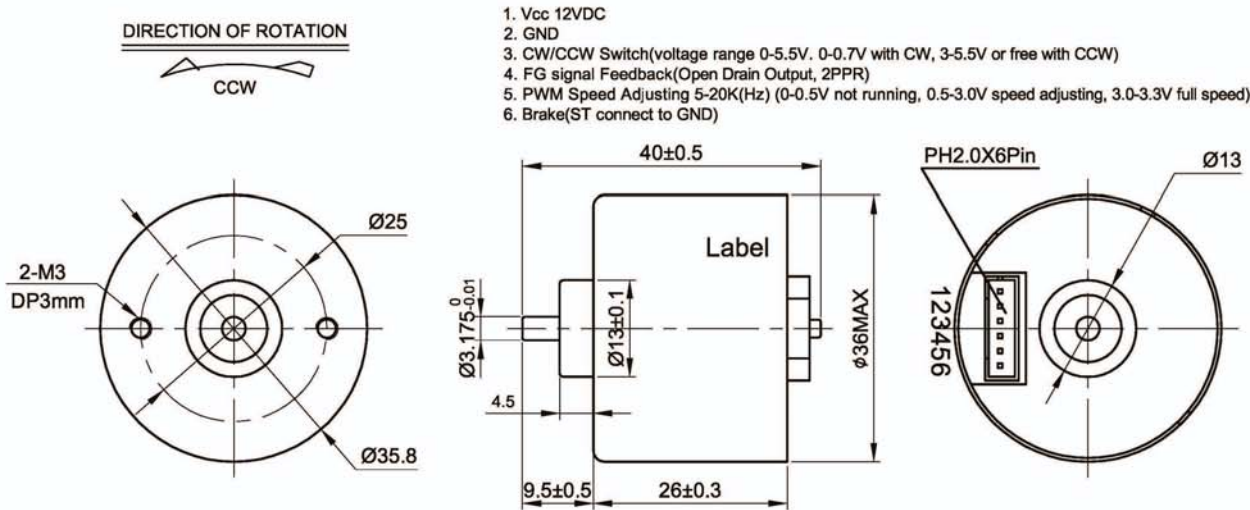
Long Lifetime
 Built-in Driver
 Low Noise

Typical Applications

Home and Office Automation
 Pump and Actuator
 Conveyor Robot

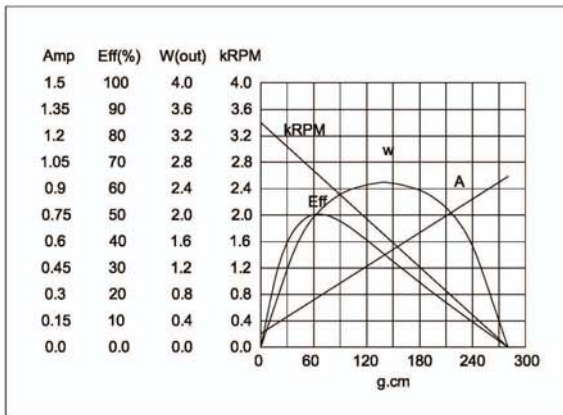
| MODEL | VOLTAGE | | NO LOAD | | AT RATED LOAD | | | AT STALL | |
|---------------------|---------------|--------------|---------|---------|---------------|---------|--------|----------|---------|
| | WORKING RANGE | NOMINAL | SPEED | CURRENT | SPEED | CURRENT | TORQUE | TORQUE | CURRENT |
| | | | rpm | A | rpm | A | g.cm | g.cm | A |
| ET-DCM3626BL-123400 | 8.0-16.0 | 12V CONSTANT | 3400 | 0.085 | 2800 | 0.24 | 50 | 283 | 0.96 |
| ET-DCM3626BL-246300 | 18.0-26.0 | 24V CONSTANT | 6300 | 0.11 | 5500 | 0.25 | 50 | 393 | 1.21 |

UNIT: MM



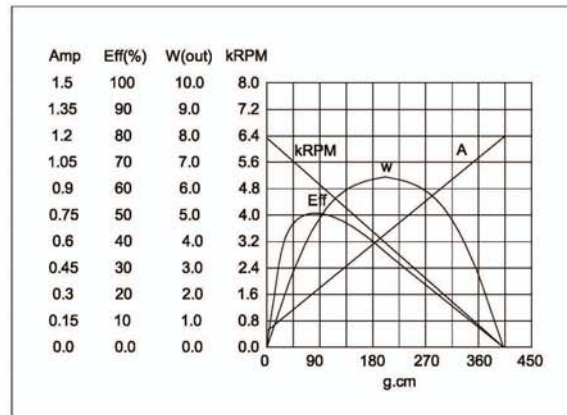
ET-DCM3626BL-123400

12V



ET-DCM3626BL-246300

24V





ET-DCM3640BL

Brushless DC Motor

ETONM MOTOR

WEIGHT: 153g(Approx)

Performance Range

Voltage: 6-24VDC
 Speed: 2000-8000rpm
 Torque: 30-70g.cm

Key Features

Long Lifetime
 Built-in Driver
 Low Noise

Typical Applications

Home and Office Automation
 Pump and Actuator
 Conveyor Robot

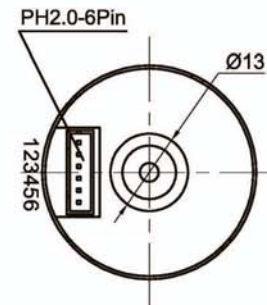
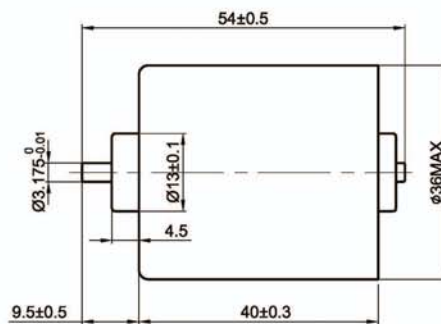
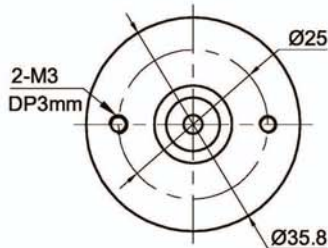
| MODEL | VOLTAGE | | NO LOAD | | AT RATED LOAD | | | AT STALL | |
|---------------------|---------------|--------------|--------------|--------------|---------------|--------------|----------------|----------------|--------------|
| | WORKING RANGE | NOMINAL | SPEED rpm | CURRENT A | SPEED rpm | CURRENT A | TORQUE g.cm | TORQUE g.cm | CURRENT A |
| ET-DCM3640BL-125500 | 8.0-16.0 | 12V CONSTANT | 5500 | 0.2 | 4400 | 0.95 | 150 | 750 | 3.95 |
| ET-DCM3640BL-243000 | 20.0-26.0 | 24V CONSTANT | 3000 | 0.075 | 2500 | 0.2 | 100 | 600 | 0.83 |

UNIT: MM

DIRECTION OF ROTATION

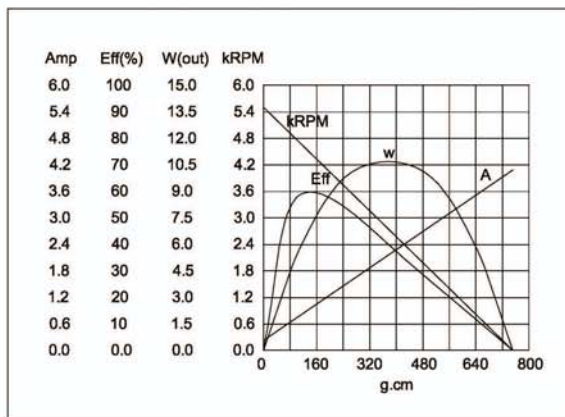


1. Vcc 24VDC
2. GND
3. CW/CCW Switch(voltage range 0-5V. 0-0.8V with CCW, 3-5V or free with CW)
4. FG signal Feedback .Connect the pull-up resistance(Open Drain Output, 2PPR)
5. PWM Speed Adjusting 5-20K(Hz) (0-0.5V not running, 0.5-4.5V speed adjusting, 4.5-5V full speed)
6. Brake(ST connect to GND)



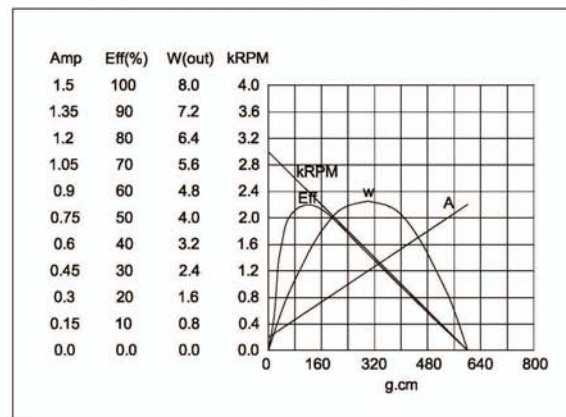
ET-DCM3640BL-125500

12V



ET-DCM3640BL-243000

24V





ET-DCM3650BL

Brushless DC Motor

ETONM MOTOR

WEIGHT: 210g(Approx)

Performance Range

Voltage: 6-24VDC
 Speed: 2000-8000rpm
 Torque: 30-70g.cm

Key Features

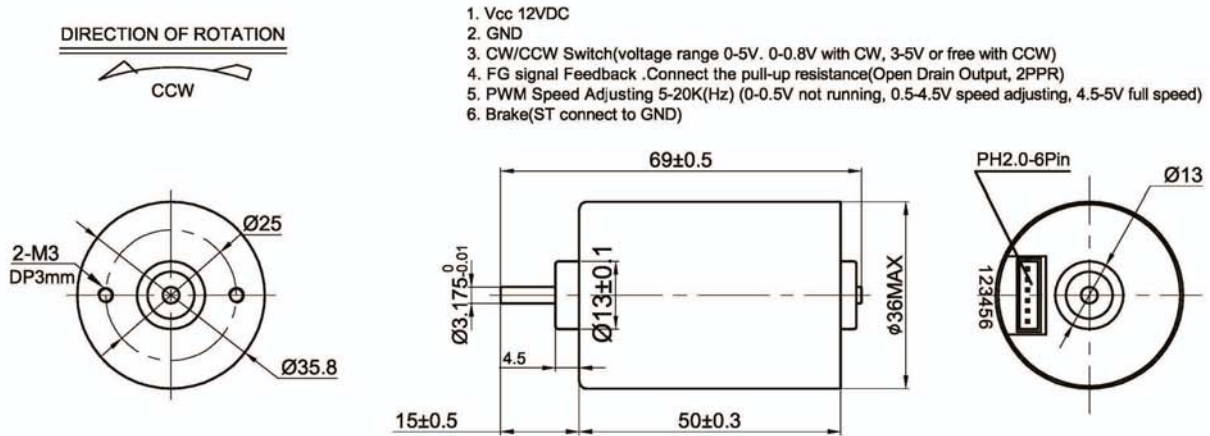
Long Lifetime
 Built-in Driver
 Low Noise

Typical Applications

Home and Office Automation
 Pump and Actuator
 Conveyor Robot

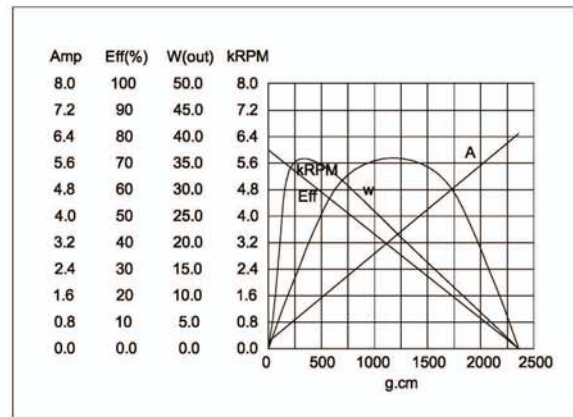
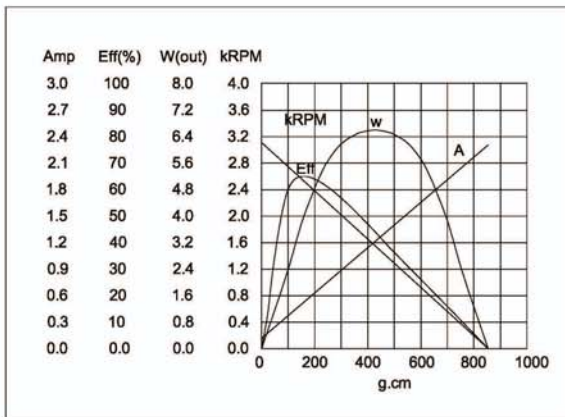
| MODEL | VOLTAGE | | NO LOAD | | AT RATED LOAD | | | AT STALL | |
|---------------------|---------------|--------------|--------------|--------------|---------------|--------------|----------------|----------------|--------------|
| | WORKING RANGE | NOMINAL | SPEED rpm | CURRENT A | SPEED rpm | CURRENT A | TORQUE g.cm | TORQUE g.cm | CURRENT A |
| ET-DCM3650BL-123000 | 8.0-16.0 | 12V CONSTANT | 3000 | 0.1 | 2300 | 0.62 | 200 | 857 | 2.32 |
| ET-DCM3650BL-246000 | 22.0-26.0 | 24V CONSTANT | 6000 | 0.14 | 5500 | 0.67 | 200 | 2400 | 6.5 |

UNIT: MM



ET-DCM3650BL-123000 12V

ET-DCM3650BL-246000 24V





ET-DCM3657BL

Brushless DC Motor

ETONM MOTOR

WEIGHT: 230g(Approx)

Performance Range

Voltage: 6-24VDC
 Speed: 2000-8000rpm
 Torque: 30-70g.cm

Key Features

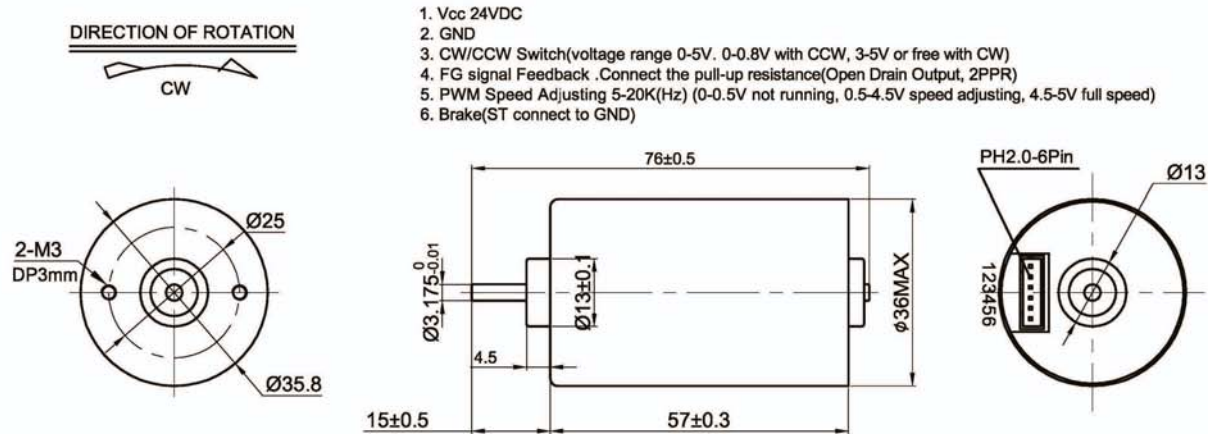
Long Lifetime
 Built-in Driver
 Low Noise

Typical Applications

Home and Office Automation
 Pump and Actuator
 Conveyor Robot

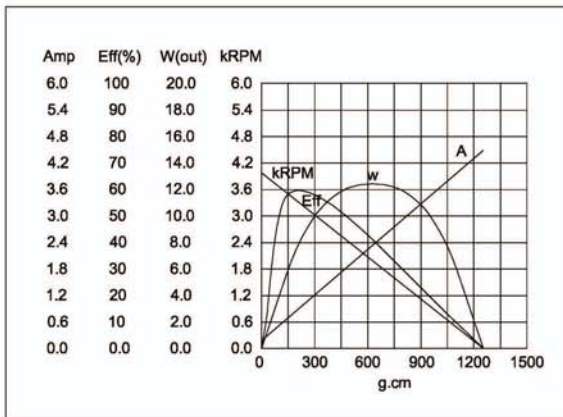
| MODEL | VOLTAGE | | NO LOAD | | AT RATED LOAD | | | AT STALL | |
|---------------------|---------------|--------------|--------------|--------------|---------------|--------------|----------------|----------------|--------------|
| | WORKING RANGE | NOMINAL | SPEED rpm | CURRENT A | SPEED rpm | CURRENT A | TORQUE g.cm | TORQUE g.cm | CURRENT A |
| ET-DCM3657BL-124000 | 8.0-16.0 | 12V CONSTANT | 4000 | 0.13 | 3200 | 1.0 | 250 | 1250 | 4.5 |
| ET-DCM3657BL-246000 | 22.0-26.0 | 24V CONSTANT | 6000 | 0.17 | 5300 | 0.86 | 250 | 2140 | 6.1 |

UNIT: MM



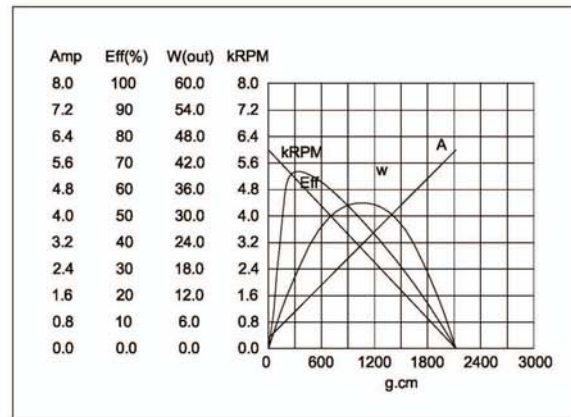
ET-DCM3657BL-124000

12V



ET-DCM3657BL-246000

24V





ET-DCM4260BL

Brushless DC Motor

ETONM MOTOR

WEIGHT: 330g(Approx)

Performance Range

Voltage: 12-24VDC
 Speed: 2000-8000rpm
 Torque: 500-600g.cm

Key Features

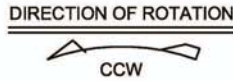
High Torque Small Size
 Built-in Driver
 Long Lifetime

Typical Applications

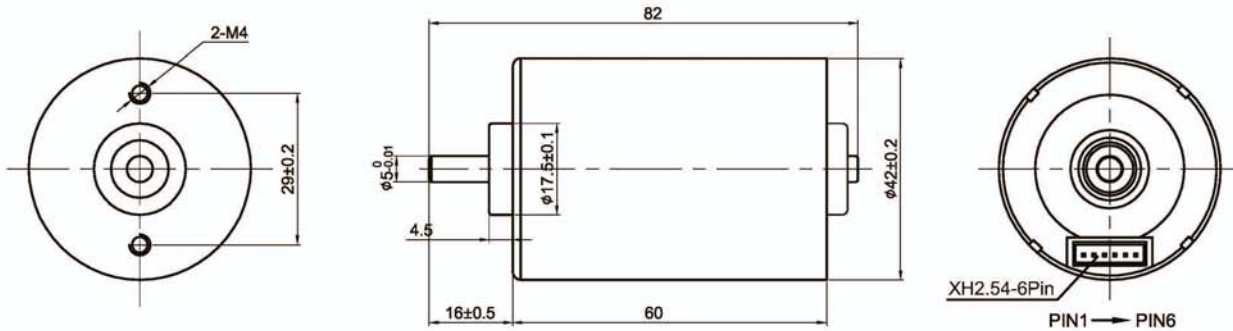
Home and Office Automation
 Entrance Controller
 Conveyor Robot

| MODEL | VOLTAGE | | NO LOAD | | AT RATED LOAD | | | AT STALL | |
|---------------------|---------------|--------------|--------------|--------------|---------------|--------------|----------------|----------------|--------------|
| | WORKING RANGE | NOMINAL | SPEED rpm | CURRENT A | SPEED rpm | CURRENT A | TORQUE g.cm | TORQUE g.cm | CURRENT A |
| ET-DCM4260BL-123000 | 8.0-16.0 | 12V CONSTANT | 3000 | 0.17 | 2100 | 1.97 | 600 | 1900 | 5.9 |
| ET-DCM4260BL-246200 | 22.0-26.0 | 24V CONSTANT | 6200 | 0.23 | 4980 | 2.0 | 600 | 3050 | 9.2 |

UNIT: MM

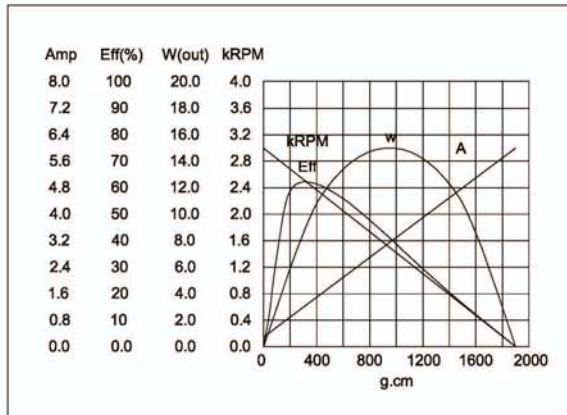


1. Vcc 24VDC
2. GND
3. CW/CCW Switch(voltage range 0-5V. 0-0.8V with CW, 3-5V or free with CCW)
4. FG signal Feedback .Connect the pull-up resistance(Open Drain Output, 2PPR)
5. PWM Speed Adjusting 5-20K(Hz) (0-0.5V not running, 0.5-4.5V speed adjusting, 4.5-5V full speed)
6. Brake(ST connect to GND)



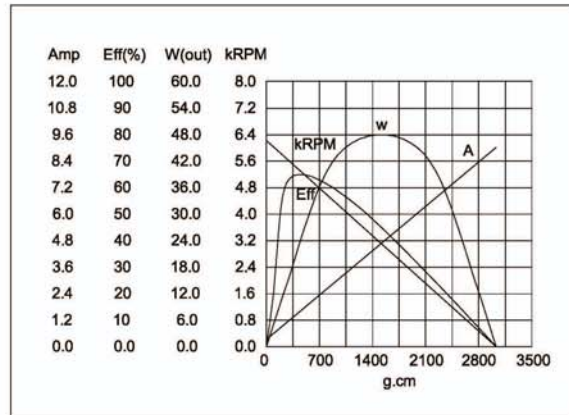
ET-DCM4260BL-123000

12V



ET-DCM4260BL-246200

24V





ET-DCM4266BL

Brushless DC Motor

ETONM MOTOR
WEIGHT: 350g(Approx)

Performance Range

Voltage: 12-24VDC
Speed: 2000-8000rpm
Torque: 500-600g.cm

Key Features

High Torque Small Size
Built-in Driver
Long Lifetime

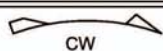
Typical Applications

Home and Office Automation
Entrance Controller
Conveyor Robot

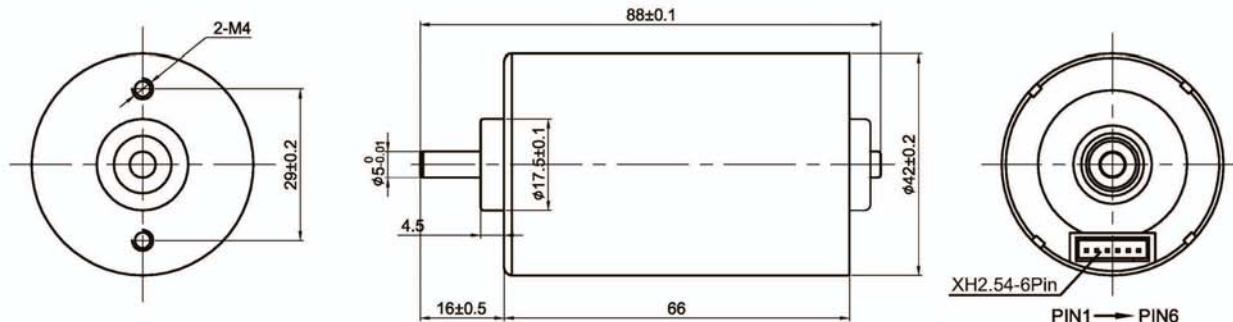
| MODEL | VOLTAGE | | NO LOAD | | AT RATED LOAD | | | AT STALL | |
|---------------------|---------------|--------------|--------------|--------------|---------------|--------------|----------------|----------------|--------------|
| | WORKING RANGE | NOMINAL | SPEED rpm | CURRENT A | SPEED rpm | CURRENT A | TORQUE g.cm | TORQUE g.cm | CURRENT A |
| ET-DCM4266BL-123000 | 8.0-16.0 | 12V CONSTANT | 3000 | 0.18 | 2230 | 2.0 | 600 | 2200 | 6.9 |
| ET-DCM4266BL-246200 | 22.0-26.0 | 24V CONSTANT | 6200 | 0.235 | 5160 | 2.06 | 600 | 3570 | 11.1 |

UNIT: MM

DIRECTION OF ROTATION

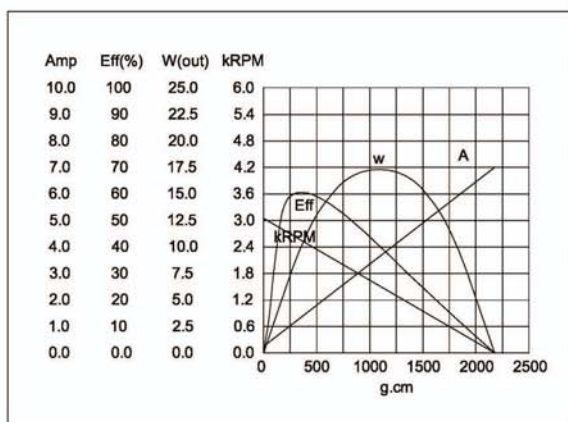


1. Vcc 12VDC
2. GND
3. CW/CCW Switch(voltage range 0-5V. 0-0.8V with CCW, 3-5V or free with CW)
4. FG signal Feedback .Connect the pull-up resistance(Open Drain Output, 2PPR)
5. PWM Speed Adjusting 5-20K(Hz) (0-0.5V not running, 0.5-4.5V speed adjusting, 4.5-5V full speed)
6. Brake(ST connect to GND)



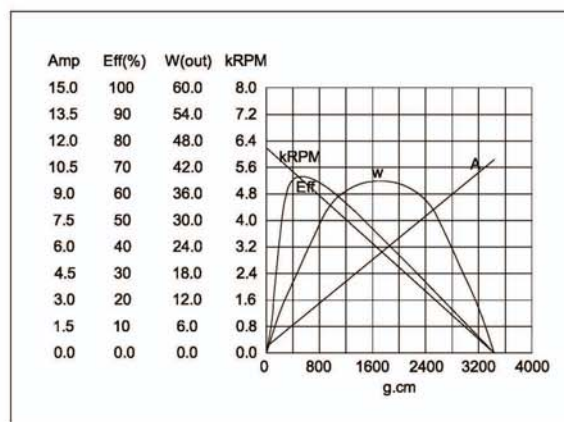
ET-DCM4266BL-123000

12V



ET-DCM4266BL-246200

24V





ET-PGM32BL2838

ETONM MOTOR

Brushless Gear Motor

WEIGHT: 250g(Approx)

Performance Range

Voltage: 12-24VDC
 Speed: 5-1000rpm
 Torque: 10-40kg.cm

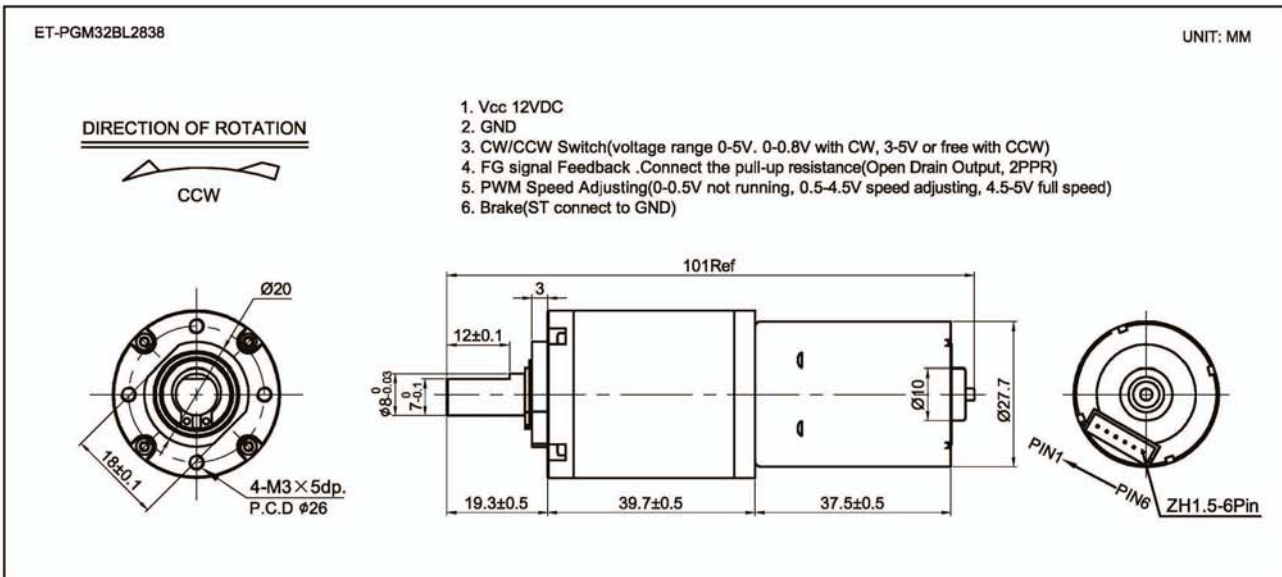
Key Features

High Torque Small Size
 CW/CCW Running
 Precise Metal Gears

Typical Applications

Home and Office Automation
 Equipment and Apparatus
 Coffee Machine

| Gear Ratio Stage | 1 | 2 | 3 | 4 | 5 |
|-------------------|------|------|------|------|------|
| Gear Ratio | 4 | 14 | 51 | 189 | 977 |
| | 5 | 19 | 71 | 264 | 1367 |
| | | 27 | 100 | 369 | 1911 |
| | | | 139 | 516 | 2672 |
| | | | | 721 | 3736 |
| Gearbox Length(L) | 21.1 | 27.3 | 33.5 | 39.7 | 46 |



| MODEL | VOLTAGE | | NO LOAD | | AT RATED LOAD | | |
|-----------------------|-----------------|---------|----------------|--------------|----------------|--------------|-----------------|
| | OPERATION RANGE | NOMINAL | SPEED r/min | CURRENT A | SPEED r/min | CURRENT A | TORQUE kg.cm |
| ET-PGM32BL2838-121300 | 10.0-14.0V | 12VDC | 1300 | ≤0.35 | 1080 | ≤0.9 | 0.4 |
| ET-PGM32BL2838-12464 | 10.0-14.0V | 12VDC | 464 | ≤0.35 | 385 | ≤0.9 | 0.9 |
| ET-PGM32BL2838-12342 | 10.0-14.0V | 12VDC | 342 | ≤0.35 | 284 | ≤0.9 | 1.2 |
| ET-PGM32BL2838-12240 | 10.0-14.0V | 12VDC | 240 | ≤0.35 | 200 | ≤0.9 | 1.7 |
| ET-PGM32BL2838-12127 | 10.0-14.0V | 12VDC | 127 | ≤0.35 | 105 | ≤0.9 | 3.0 |
| ET-PGM32BL2838-1291 | 10.0-14.0V | 12VDC | 91 | ≤0.35 | 76 | ≤0.9 | 4.0 |
| ET-PGM32BL2838-1265 | 10.0-14.0V | 12VDC | 65 | ≤0.35 | 54 | ≤0.9 | 6.0 |
| ET-PGM32BL2838-1246 | 10.0-14.0V | 12VDC | 46 | ≤0.35 | 39 | ≤0.9 | 8.0 |
| ET-PGM32BL2838-1234 | 10.0-14.0V | 12VDC | 34 | ≤0.35 | 28 | ≤0.9 | 10.0 |
| ET-PGM32BL2838-1225 | 10.0-14.0V | 12VDC | 25 | ≤0.35 | 20 | ≤0.9 | 13.5 |
| ET-PGM32BL2838-1217 | 10.0-14.0V | 12VDC | 17 | ≤0.35 | 14.5 | ≤0.9 | 20.0 |
| ET-PGM32BL2838-1212.5 | 10.0-14.0V | 12VDC | 12.5 | ≤0.35 | 10.4 | ≤0.9 | 26.0 |
| ET-PGM32BL2838-129.0 | 10.0-14.0V | 12VDC | 9.0 | ≤0.35 | 7.5 | ≤0.9 | 37.0 |

Remarks:

1. the voltage, speed, torque, current can be customized by changing to different motors and gear ratios.





ET-PGM36BL3640

Brushless Gear Motor

ETONM MOTOR

WEIGHT: 340g(Approx)

Performance Range

Voltage: 6-24VDC
 Speed: 2000-8000rpm
 Torque: 1-50kg.cm

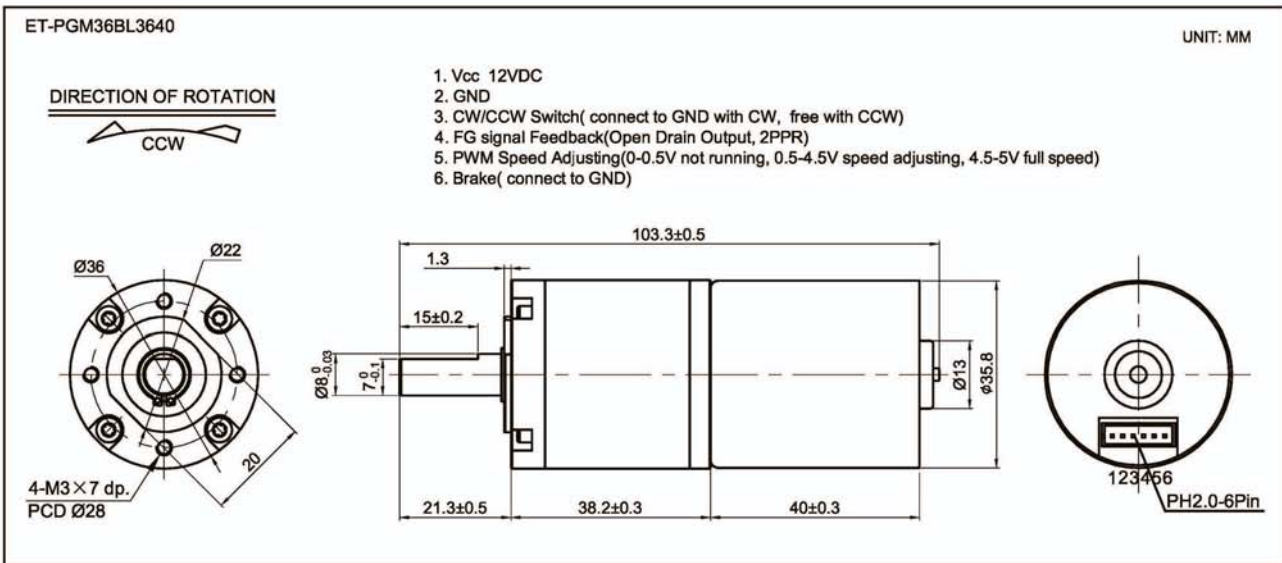
Key Features

Long Lifetime
 Built-in Driver
 Low Noise

Typical Applications

Home and Office Automation
 Pump and Actuator
 Conveyor Robot

| Gear Ratio Stage | 1 | 2 | 3 | 4 | 5 |
|-------------------|------|------|------|------|------|
| Gear Ratio | 4 | 14 | 51 | 189 | 977 |
| | 5 | 19 | 71 | 264 | 1367 |
| | | 27 | 100 | 369 | 1911 |
| | | | 139 | 516 | 2672 |
| | | | | 721 | 3736 |
| Gearbox Length(L) | 25.2 | 31.7 | 38.2 | 44.7 | 51.4 |



| MODEL | VOLTAGE | | NO LOAD | | AT RATED LOAD | | |
|-----------------------|-----------------|---------|----------------|--------------|----------------|--------------|-----------------|
| | OPERATION RANGE | NOMINAL | SPEED r/min | CURRENT A | SPEED r/min | CURRENT A | TORQUE kg.cm |
| ET-PGM36BL3640-121100 | 10.0-14.0V | 12VDC | 1100 | ≤0.35 | 880 | ≤1.2 | 0.7 |
| ET-PGM36BL3640-12392 | 10.0-14.0V | 12VDC | 392 | ≤0.35 | 314 | ≤1.2 | 1.7 |
| ET-PGM36BL3640-12290 | 10.0-14.0V | 12VDC | 290 | ≤0.35 | 230 | ≤1.2 | 2.3 |
| ET-PGM36BL3640-12200 | 10.0-14.0V | 12VDC | 200 | ≤0.35 | 162 | ≤1.2 | 3.2 |
| ET-PGM36BL3640-12108 | 10.0-14.0V | 12VDC | 108 | ≤0.35 | 86 | ≤1.2 | 5.5 |
| ET-PGM36BL3640-1277 | 10.0-14.0V | 12VDC | 77 | ≤0.35 | 61 | ≤1.2 | 7.7 |
| ET-PGM36BL3640-1255 | 10.0-14.0V | 12VDC | 55 | ≤0.35 | 44 | ≤1.2 | 10.0 |
| ET-PGM36BL3640-1240 | 10.0-14.0V | 12VDC | 40 | ≤0.35 | 31 | ≤1.2 | 15.0 |
| ET-PGM36BL3640-1234 | 10.0-14.0V | 12VDC | 34 | ≤0.35 | 28 | ≤1.2 | 16.0 |
| ET-PGM36BL3640-1229 | 10.0-14.0V | 12VDC | 29 | ≤0.35 | 23 | ≤1.2 | 18.0 |
| ET-PGM36BL3640-1220 | 10.0-14.0V | 12VDC | 20 | ≤0.35 | 17 | ≤1.2 | 25.0 |
| ET-PGM36BL3640-1215 | 10.0-14.0V | 12VDC | 15 | ≤0.35 | 11.5 | ≤1.2 | 35.0 |
| ET-PGM36BL3640-1210.6 | 10.0-14.0V | 12VDC | 10.6 | ≤0.35 | 8.5 | ≤1.2 | 50.0 |

Remarks:

1. the voltage, speed, torque, current can be customized by changing to different motors and gear ratios.

BRUSHLESS DC MOTOR





ET-SGM25BL2431

ETONM MOTOR

Brushless Gear Motor

WEIGHT: 92g(Approx)

Performance Range

Voltage: 6-24VDC
 Speed: 2000-8000rpm
 Torque: 0.5-10kg.cm

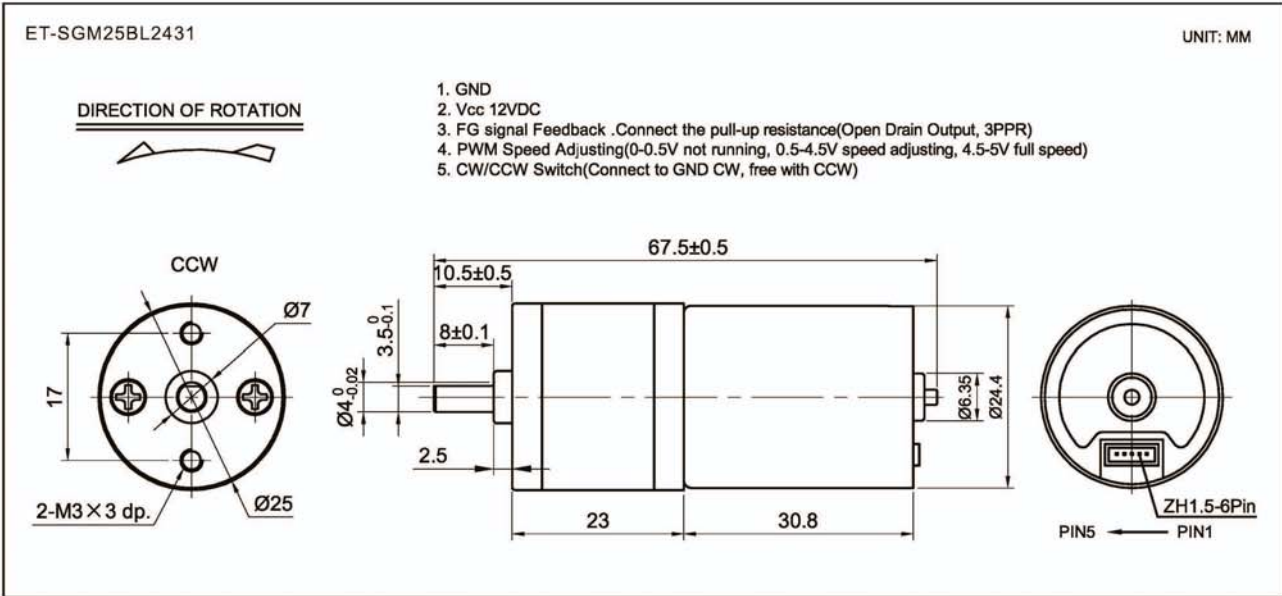
Key Features

Long Lifetime
 Built-in Driver
 Low Noise

Typical Applications

Home and Office Automation
 Pump and Actuator
 Conveyor Robot

| Gear Ratio Stage | 4 | 5 | 6 | 7 | 8 |
|-------------------|----|----|-----|-----|-----|
| Gear Ratio | 13 | 29 | 55 | 121 | 266 |
| | 21 | 41 | 63 | 139 | 307 |
| | | 47 | 89 | 171 | 376 |
| | | | 103 | 197 | 433 |
| | | | | 226 | 499 |
| Gearbox Length(L) | 23 | | | 27 | |



| MODEL | VOLTAGE | | NO LOAD | | AT RATED LOAD | | |
|-----------------------|-----------------|---------|----------------|--------------|----------------|--------------|-----------------|
| | OPERATION RANGE | NOMINAL | SPEED r/min | CURRENT A | SPEED r/min | CURRENT A | TORQUE kg.cm |
| ET-SGM25BL2431-12285 | 8.0-14.0V | 12VDC | 285 | ≤0.2 | 260 | ≤0.39 | 0.40 |
| ET-SGM25BL2431-12206 | 8.0-14.0V | 12VDC | 206 | ≤0.2 | 188 | ≤0.39 | 0.50 |
| ET-SGM25BL2431-12146 | 8.0-14.0V | 12VDC | 146 | ≤0.2 | 134 | ≤0.39 | 0.70 |
| ET-SGM25BL2431-12127 | 8.0-14.0V | 12VDC | 127 | ≤0.2 | 117 | ≤0.39 | 0.80 |
| ET-SGM25BL2431-12109 | 8.0-14.0V | 12VDC | 109 | ≤0.2 | 100 | ≤0.39 | 0.85 |
| ET-SGM25BL2431-1295 | 8.0-14.0V | 12VDC | 95 | ≤0.2 | 86 | ≤0.39 | 1.0 |
| ET-SGM25BL2431-1267 | 8.0-14.0V | 12VDC | 67 | ≤0.2 | 60 | ≤0.39 | 1.40 |
| ET-SGM25BL2431-1258 | 8.0-14.0V | 12VDC | 58 | ≤0.2 | 52 | ≤0.39 | 1.63 |
| ET-SGM25BL2431-1249 | 8.0-14.0V | 12VDC | 49 | ≤0.2 | 44 | ≤0.39 | 1.70 |
| ET-SGM25BL2431-1235 | 8.0-14.0V | 12VDC | 35 | ≤0.2 | 31 | ≤0.39 | 2.40 |
| ET-SGM25BL2431-1226 | 8.0-14.0V | 12VDC | 26 | ≤0.2 | 23 | ≤0.39 | 3.0 |
| ET-SGM25BL2431-1222.5 | 8.0-14.0V | 12VDC | 22.5 | ≤0.2 | 20 | ≤0.39 | 3.40 |
| ET-SGM25BL2431-1212 | 8.0-14.0V | 12VDC | 12 | ≤0.2 | 11 | ≤0.39 | 6.40 |

Remarks:

1. the voltage, speed, torque, current can be customized by changing to different motors and gear ratios.





ET-SGM37BL3626

Brushless Gear Motor

ETONM MOTOR
WEIGHT: 92g(Approx)

Performance Range

Voltage: 12-24VDC
Speed: 10-600rpm
Torque: 0.5-30kg.cm

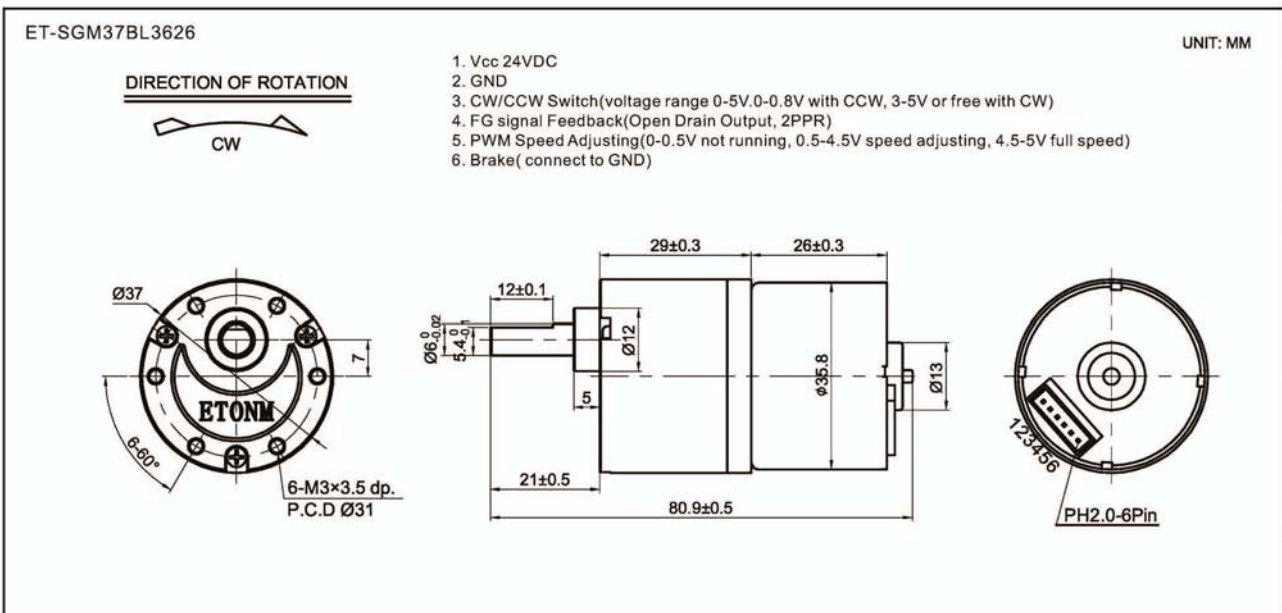
Key Features

Brushless Long Lifetime
Built-in Driver
Low Noise

Typical Applications

Humidifier
Banking and Vending Automation
Robotics

| Gear Ratio Stage | 2 | 3 | 4 | 5 | 6 |
|-------------------|------|----|----|-----|-----|
| Gear Ratio | 10 | 20 | 50 | 120 | 450 |
| | | 30 | 60 | 150 | 490 |
| | | | 70 | 210 | 630 |
| | | | 90 | 270 | 810 |
| Gearbox Length(L) | 24.1 | | | 29 | |



| MODEL | VOLTAGE | | NO LOAD | | AT RATED LOAD | | |
|----------------------|-----------------|---------|----------------|--------------|----------------|--------------|-----------------|
| | OPERATION RANGE | NOMINAL | SPEED r/min | CURRENT A | SPEED r/min | CURRENT A | TORQUE kg.cm |
| ET-SGM37BL3626-24300 | 20.0-28.0V | 24VDC | 300 | ≤0.09 | 240 | ≤0.29 | 0.8 |
| ET-SGM37BL3626-24150 | 20.0-28.0V | 24VDC | 150 | ≤0.09 | 120 | ≤0.29 | 1.2 |
| ET-SGM37BL3626-24100 | 20.0-28.0V | 24VDC | 100 | ≤0.09 | 80 | ≤0.29 | 1.7 |
| ET-SGM37BL3626-2460 | 20.0-28.0V | 24VDC | 60 | ≤0.09 | 48 | ≤0.29 | 3.0 |
| ET-SGM37BL3626-2450 | 20.0-28.0V | 24VDC | 50 | ≤0.09 | 40 | ≤0.29 | 3.5 |
| ET-SGM37BL3626-2443 | 20.0-28.0V | 24VDC | 43 | ≤0.09 | 34.5 | ≤0.29 | 4.0 |
| ET-SGM37BL3626-2433 | 20.0-28.0V | 24VDC | 33 | ≤0.09 | 26.5 | ≤0.29 | 5.2 |
| ET-SGM37BL3626-2425 | 20.0-28.0V | 24VDC | 25 | ≤0.09 | 20 | ≤0.29 | 6.0 |
| ET-SGM37BL3626-2420 | 20.0-28.0V | 24VDC | 20 | ≤0.09 | 16 | ≤0.29 | 8.0 |
| ET-SGM37BL3626-2414 | 20.0-28.0V | 24VDC | 14 | ≤0.09 | 11 | ≤0.29 | 11.0 |
| ET-SGM37BL3626-244.7 | 20.0-28.0V | 24VDC | 4.7 | ≤0.09 | 3.8 | ≤0.29 | 30.0 |

Remarks:

1. the voltage, speed, torque, current can be customized by changing to different motors and gear ratios.

BRUSHLESS DC MOTOR





ET-SGM37BL3650

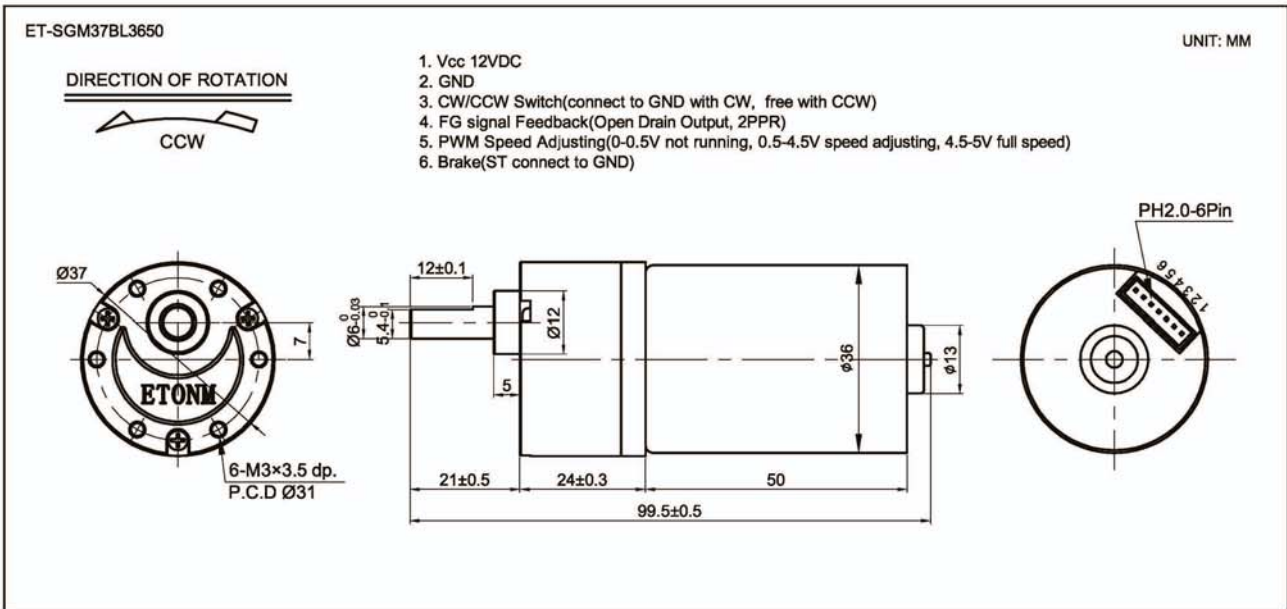
ETONM MOTOR

Brushless Gear Motor

WEIGHT: 286g(Approx)

| Performance Range | Key Features | Typical Applications |
|-------------------|-------------------------|----------------------|
| Voltage: 6-24VDC | Brushless Long Lifetime | Humidifier |
| Speed: 10-600rpm | Built-in Driver | Solar Automation |
| Torque: 1-30kg.cm | Low Noise | Robotics |

| Gear Ratio Stage | 2 | 3 | 4 | 5 | 6 |
|-------------------|------|----|----|-----|-----|
| Gear Ratio | 10 | 20 | 50 | 120 | 450 |
| | | 30 | 60 | 150 | 490 |
| | | | 70 | 210 | 630 |
| | | | 90 | 270 | 810 |
| Gearbox Length(L) | 24.1 | | | 29 | |



| MODEL | VOLTAGE | | NO LOAD | | AT RATED LOAD | | |
|----------------------|-----------------|---------|----------------|--------------|----------------|--------------|-----------------|
| | OPERATION RANGE | NOMINAL | SPEED r/min | CURRENT A | SPEED r/min | CURRENT A | TORQUE kg.cm |
| ET-SGM37BL3650-12500 | 10.0-14.0V | 12VDC | 500 | ≤0.3 | 400 | ≤1.3 | 1.6 |
| ET-SGM37BL3650-12250 | 10.0-14.0V | 12VDC | 250 | ≤0.3 | 200 | ≤1.3 | 3.0 |
| ET-SGM37BL3650-12166 | 10.0-14.0V | 12VDC | 166 | ≤0.3 | 133 | ≤1.3 | 4.3 |
| ET-SGM37BL3650-12100 | 10.0-14.0V | 12VDC | 100 | ≤0.3 | 80 | ≤1.3 | 6.6 |
| ET-SGM37BL3650-1283 | 10.0-14.0V | 12VDC | 83 | ≤0.3 | 66 | ≤1.3 | 8.0 |
| ET-SGM37BL3650-1271 | 10.0-14.0V | 12VDC | 71 | ≤0.3 | 57 | ≤1.3 | 9.0 |
| ET-SGM37BL3650-1255 | 10.0-14.0V | 12VDC | 55 | ≤0.3 | 44 | ≤1.3 | 11.8 |
| ET-SGM37BL3650-1241 | 10.0-14.0V | 12VDC | 41 | ≤0.3 | 33 | ≤1.3 | 14.5 |
| ET-SGM37BL3650-1233 | 10.0-14.0V | 12VDC | 33 | ≤0.3 | 27 | ≤1.3 | 18.0 |
| ET-SGM37BL3650-1224 | 10.0-14.0V | 12VDC | 24 | ≤0.3 | 19 | ≤1.3 | 25.0 |
| ET-SGM37BL3650-1218 | 10.0-14.0V | 12VDC | 18 | ≤0.3 | 15 | ≤1.3 | 32.0 |

Remarks:

1. the voltage, speed, torque, current can be customized by changing to different motors and gear ratios.





ET-SGM37BL3657

Brushless Gear Motor

ETONM MOTOR

WEIGHT: 400g(Approx)

Performance Range

Voltage: 6-24VDC
 Speed: 10-600rpm
 Torque: 1-30kg.cm

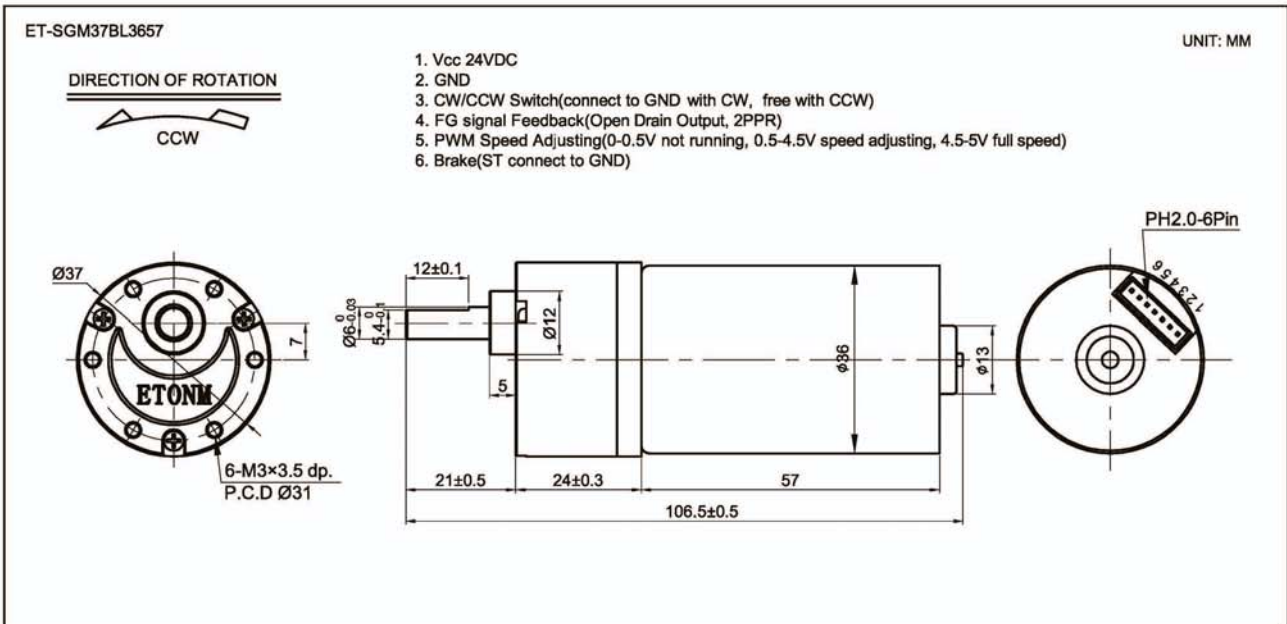
Key Features

Brushless Long Lifetime
 Built-in Driver
 Low Noise

Typical Applications

Medical Equipment and Device
 Solar Automation
 Robotics

| Gear Ratio Stage | 2 | 3 | 4 | 5 | 6 |
|-------------------|------|----|----|-----|-----|
| Gear Ratio | 10 | 20 | 50 | 120 | 450 |
| | | 30 | 60 | 150 | 490 |
| | | | 70 | 210 | 630 |
| | | | 90 | 270 | 810 |
| Gearbox Length(L) | 24.1 | | | 29 | |



| MODEL | VOLTAGE | | NO LOAD | | AT RATED LOAD | | |
|----------------------|-----------------|---------|----------------|--------------|----------------|--------------|-----------------|
| | OPERATION RANGE | NOMINAL | SPEED r/min | CURRENT A | SPEED r/min | CURRENT A | TORQUE kg.cm |
| ET-SGM37BL3657-24600 | 18.0-26.0V | 24VDC | 600 | ≤0.3 | 520 | ≤1.1 | 2.2 |
| ET-SGM37BL3657-24300 | 18.0-26.0V | 24VDC | 300 | ≤0.3 | 260 | ≤1.1 | 3.6 |
| ET-SGM37BL3657-24200 | 18.0-26.0V | 24VDC | 200 | ≤0.3 | 173 | ≤1.1 | 5.4 |
| ET-SGM37BL3657-24120 | 18.0-26.0V | 24VDC | 120 | ≤0.3 | 104 | ≤1.1 | 8.0 |
| ET-SGM37BL3657-2485 | 18.0-26.0V | 24VDC | 85 | ≤0.3 | 74 | ≤1.1 | 11.5 |
| ET-SGM37BL3657-2466 | 18.0-26.0V | 24VDC | 66 | ≤0.3 | 57 | ≤1.1 | 14.5 |
| ET-SGM37BL3657-2450 | 18.0-26.0V | 24VDC | 50 | ≤0.3 | 43 | ≤1.1 | 17.7 |
| ET-SGM37BL3657-2440 | 18.0-26.0V | 24VDC | 40 | ≤0.3 | 34 | ≤1.1 | 22.0 |
| ET-SGM37BL3657-2428 | 18.0-26.0V | 24VDC | 28 | ≤0.3 | 24 | ≤1.1 | 30.0 |
| ET-SGM37BL3657-2422 | 18.0-26.0V | 24VDC | 22 | ≤0.3 | 19 | ≤1.1 | 30.0 |
| ET-SGM37BL3657-2413 | 18.0-26.0V | 24VDC | 13 | ≤0.3 | 11.5 | ≤1.1 | 30.0 |

Remarks:

1. the voltage, speed, torque, current can be customized by changing to different motors and gear ratios.

BRUSHLESS DC MOTOR





ET-WGM58BL3657

Brushless Gear Motor

ETONM MOTOR

WEIGHT: 430g(Approx)

Performance Range

Voltage: 6-24VDC
 Speed: 5-1000rpm
 Torque: 10-80kg.cm

Key Features

Very Low Noise
 Long Lifetime
 Precise Metal Gears

Typical Applications

Home and Office Automation
 Equipment and Apparatus
 Medical Device

| Gear Ratio Stage | 3 | 4 |
|------------------|-----|------|
| Gear Ratio | 49 | 217 |
| | 74 | 291 |
| | 100 | 506 |
| | | 634 |
| | | 1269 |

ET-WGM58BL3657 UNIT: MM

DIRECTION OF ROTATION
 CW

- Vcc 24VDC
- GND
- CW/CCW Switch(voltage range 0-5V. 0-0.8V with CCW, 3-5V or free with CW)
- FG signal Feedback(Open Drain Output, 2PPR),need pull-up resistor.
- PWM Speed Adjusting(0-0.5V not running, 0.5-4.5V speed adjusting, 4.5-5V full speed)
- Brake(ST connect to GND)

Technical drawing details:
 Top view: 9.05, 11.15, 40.1, 40±0.2, 57±0.3, 119.1 REF., 4-M4 DP6, Ø8-0.03, Ø19, 28±0.2
 Side view: 31, 27, 17.5±0.5, 13±0.2, 7-0.1, 4.5, 58.1, Ø36
 Front view: 654321, PH2.0-6Pin

| MODEL | VOLTAGE | | NO LOAD | | AT RATED LOAD | | |
|-----------------------|-----------------|---------|----------------|--------------|----------------|--------------|-----------------|
| | OPERATION RANGE | NOMINAL | SPEED r/min | CURRENT A | SPEED r/min | CURRENT A | TORQUE kg.cm |
| ET-WGM58BL3657-24130 | 18.0-26.0V | 24VDC | 130 | ≤0.3 | 110 | ≤1.2 | 10.0 |
| ET-WGM58BL3657-2486 | 18.0-26.0V | 24VDC | 86 | ≤0.3 | 73 | ≤1.2 | 15.0 |
| ET-WGM58BL3657-2464 | 18.0-26.0V | 24VDC | 64 | ≤0.3 | 54 | ≤1.2 | 21.0 |
| ET-WGM58BL3657-2429 | 18.0-26.0V | 24VDC | 29 | ≤0.3 | 24.8 | ≤1.2 | 42.0 |
| ET-WGM58BL3657-2422 | 18.0-26.0V | 24VDC | 22 | ≤0.3 | 18.5 | ≤1.2 | 56.0 |
| ET-WGM58BL3657-2412.5 | 18.0-26.0V | 24VDC | 12.5 | ≤0.3 | 10.5 | ≤1.2 | 70.0 |
| ET-WGM58BL3657-2410 | 18.0-26.0V | 24VDC | 10 | ≤0.3 | 8.5 | ≤1.2 | 80.0 |
| ET-WGM58BL3657-245.0 | 18.0-26.0V | 24VDC | 5.0 | ≤0.3 | 4.5 | ≤1.2 | 80.0 |

Remarks:

1. the voltage, speed, torque, current can be customized by changing to different motors and gear ratios.





ET-CGM95BL3650

Brushless Gear Motor

ETONM MOTOR

WEIGHT: 560g(Approx)

Performance Range

Voltage: 3-12VDC
 Speed: 1-160rpm
 Torque: 1-120kg.cm

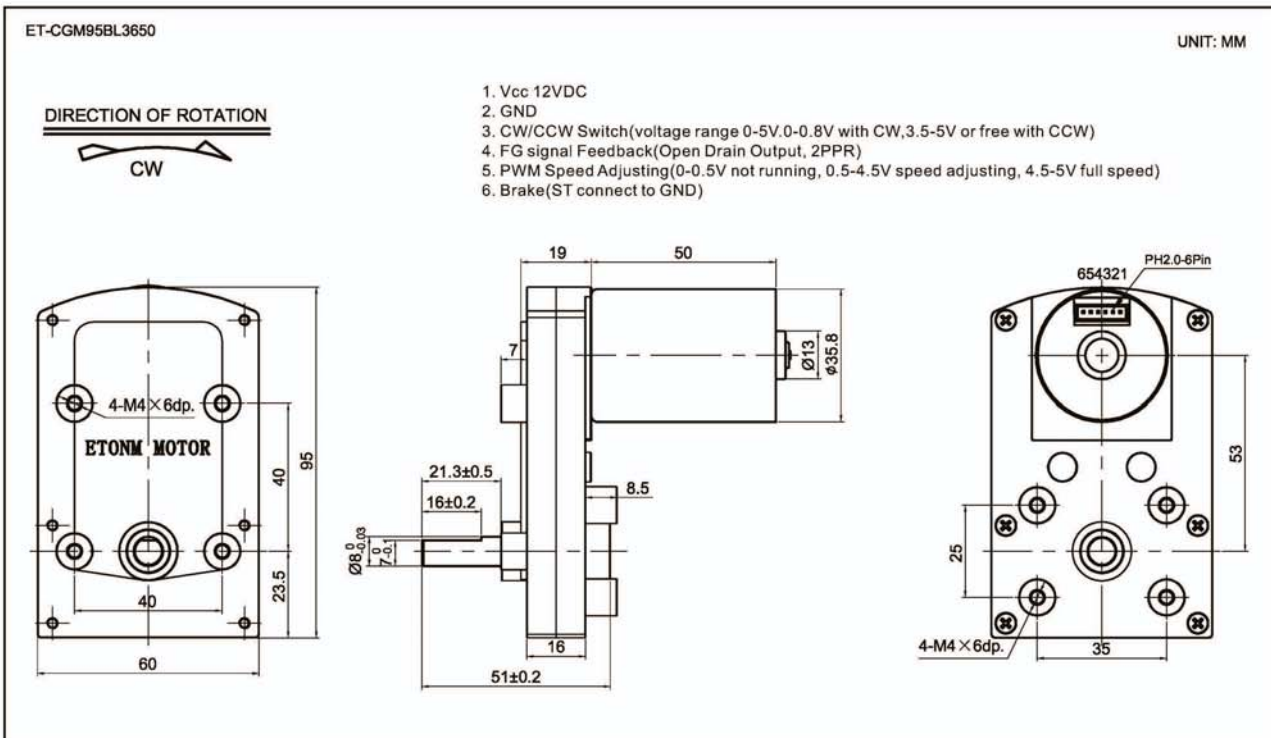
Key Features

Long Lifetime
 Built-in Driver
 Low Noise

Typical Applications

Home Appliances
 Banking and Vending System
 Electric Valve and Robotics

| Gear Ratio Stage | 3 | 4 | 5 |
|------------------|----|-----|------|
| Gear Ratio | 37 | 162 | 594 |
| | 60 | 265 | 651 |
| | 86 | 315 | 973 |
| | | | 1059 |



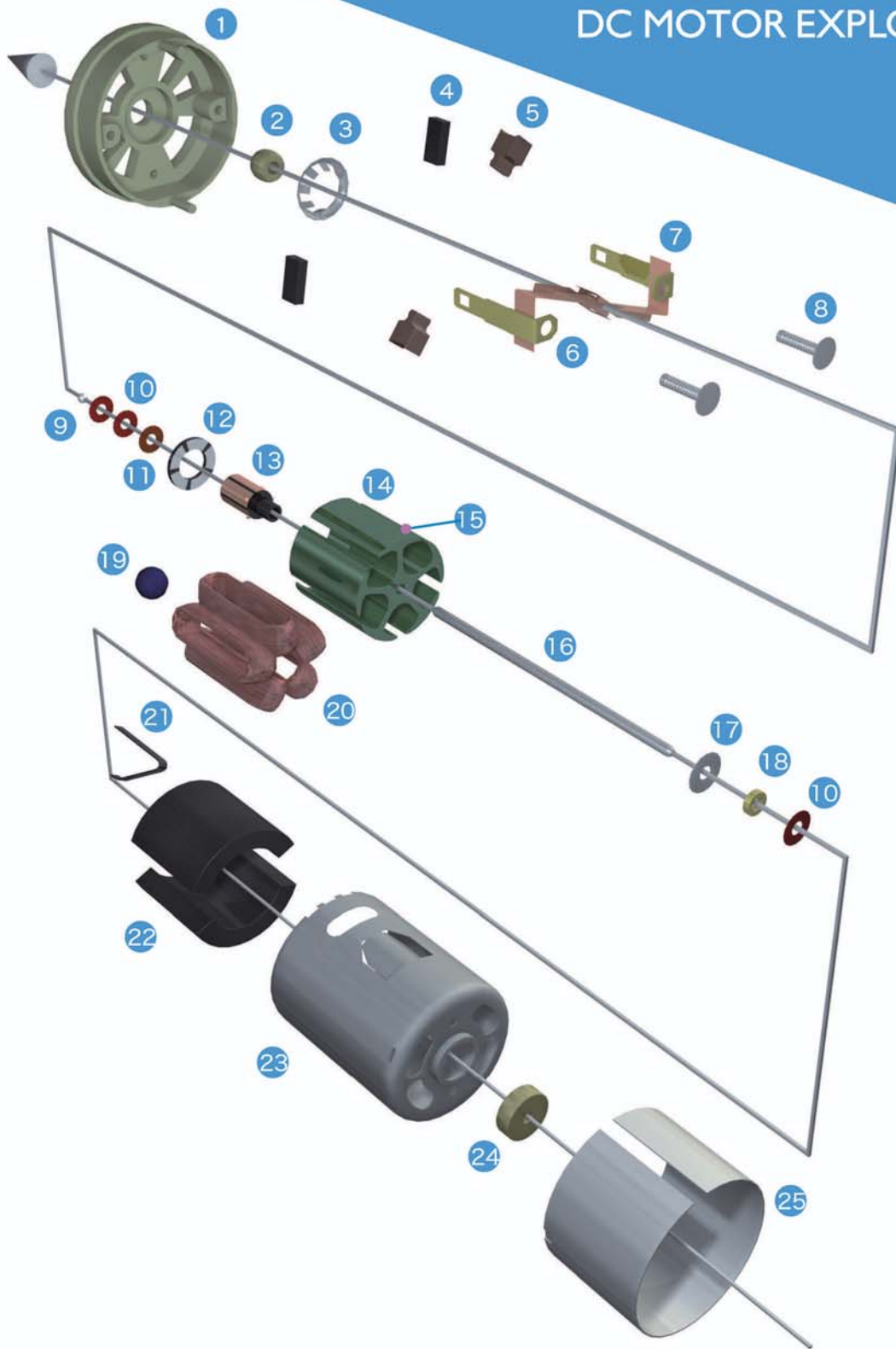
| MODEL | VOLTAGE | | NO LOAD | | AT RATED LOAD | | |
|-----------------------|-----------------|---------|----------------|--------------|----------------|--------------|-----------------|
| | OPERATION RANGE | NOMINAL | SPEED r/min | CURRENT A | SPEED r/min | CURRENT A | TORQUE kg.cm |
| ET-CGM95BL3650-12162 | 10.0-14.0V | 12VDC | 162 | ≤0.4 | 140 | ≤1.6 | 5.4 |
| ET-CGM95BL3650-12100 | 10.0-14.0V | 12VDC | 100 | ≤0.4 | 86 | ≤1.6 | 8.5 |
| ET-CGM95BL3650-1270 | 10.0-14.0V | 12VDC | 70 | ≤0.4 | 60 | ≤1.6 | 12.0 |
| ET-CGM95BL3650-1237 | 10.0-14.0V | 12VDC | 37 | ≤0.4 | 32 | ≤1.6 | 21.0 |
| ET-CGM95BL3650-1222.6 | 10.0-14.0V | 12VDC | 22.6 | ≤0.4 | 19.6 | ≤1.6 | 34.0 |
| ET-CGM95BL3650-1219 | 10.0-14.0V | 12VDC | 19 | ≤0.4 | 16.5 | ≤1.6 | 40.0 |
| ET-CGM95BL3650-1210 | 10.0-14.0V | 12VDC | 10 | ≤0.4 | 8.5 | ≤1.6 | 70.0 |
| ET-CGM95BL3650-129.0 | 10.0-14.0V | 12VDC | 9.0 | ≤0.4 | 7.9 | ≤1.6 | 70.0 |
| ET-CGM95BL3650-126.0 | 10.0-14.0V | 12VDC | 6.0 | ≤0.4 | 5.3 | ≤1.6 | 75.0 |
| ET-CGM95BL3650-125.6 | 10.0-14.0V | 12VDC | 5.6 | ≤0.4 | 4.9 | ≤1.6 | 80.0 |

Remarks:

1. the voltage, speed, torque, current can be customized by changing to different motors and gear ratios.

BRUSHLESS DC MOTOR





1 胶盖 / PLASTIC CAP

2 球形含油轴承 / SPHERICAL OIL BEARING

3 压环 / BEARING BUSHING

4 制振胶片 / BRUSH DAMPER

5 碳刷 / CARBON BRUSH

6 电刷臂 / BRUSH ARM

7 端子 / TERMINAL

8 铆钉 / RIVET

9 锡丝 / SOLDER TIN

10 垫片 / WASHER

11 止油片 / OIL SLINGER

12 变阻器 / DISK VARISTOR

13 整流子 / COMMUTATOR

14 铁芯片 / ARMATURE CORE

15 绝缘漆 / INSULATING COATING

16 轴 / SHAFT

17 绝缘垫圈 / INSULATION WASHER

18 止推环 / ROTOR RETAINER

19 平衡泥 / BALANCING COMPOUND

20 漆包线 / ENAMELLED WIRE

21 磁石指针 / MAGNET PIN

22 磁石 / MAGNET

23 铁壳 / HOUSING

24 含油轴承 / SLEEVE BEARING

25 磁力护片 / FLUX RING





ET-DCM1015F

OUTPUT : 0.05W~0.5W (APPROX)

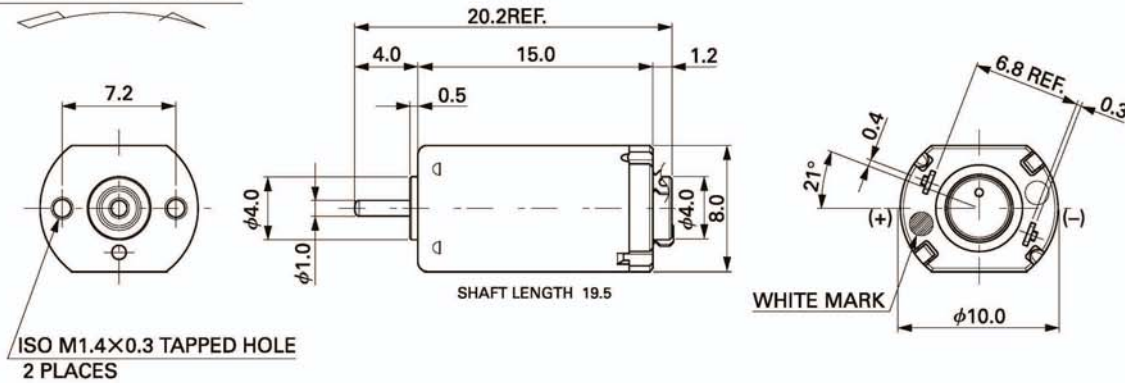
Precious metal-brush motors

Typical Applications: Digital Camera
Electric valve / Electric lock

| MODEL | VOLTAGE | | NO LOAD | | AT MAXIMUM EFFICIENCY | | | | | STALL | | |
|-------------------|-----------------|---------------|----------------|--------------|-----------------------|--------------|---------------------|-----|-------------|---------------------|-----|--------------|
| | OPERATING RANGE | NOMINAL | SPEED r/min | CURRENT A | SPEED r/min | CURRENT A | TORQUE mN·m g·cm | | OUTPUT W | TORQUE mN·m g·cm | | CURRENT A |
| ET-DCM1015F-1255 | 1.2~2.0 | 1.5V CONSTANT | 17100 | 0.094 | 13300 | 0.33 | 0.15 | 1.6 | 0.21 | 0.69 | 7.0 | 1.15 |
| ET-DCM1015F-07230 | 3.7~6.0 | 3.7V CONSTANT | 12100 | 0.023 | 9280 | 0.076 | 0.13 | 1.4 | 0.13 | 0.57 | 5.8 | 0.25 |
| ET-DCM1015F-10120 | 1.5~4.0 | 2.8V CONSTANT | 17800 | 0.052 | 14050 | 0.19 | 0.18 | 1.8 | 0.26 | 0.85 | 8.7 | 0.73 |

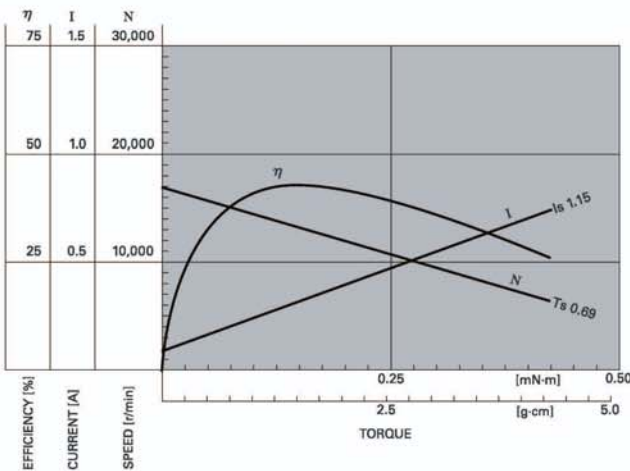
Unit: mm

DIRECTION OF ROTATION

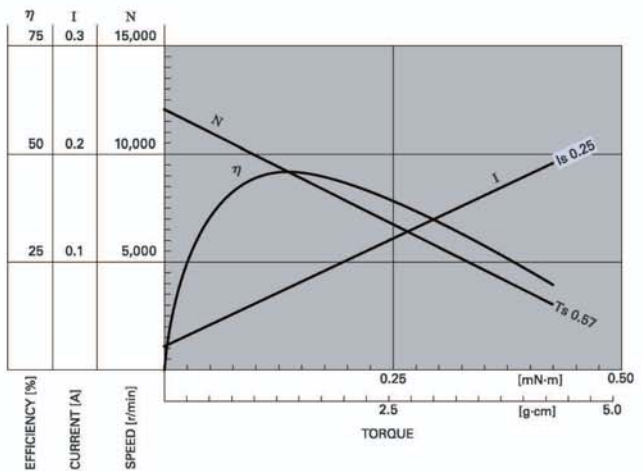


WEIGHT : 4g (APPROX)

ET-DCM1015F-1255 1.5V



ET-DCM1015F-07230 3.7V





ET-DCM1215F

OUTPUT : 0.03W~1.1W (APPROX)

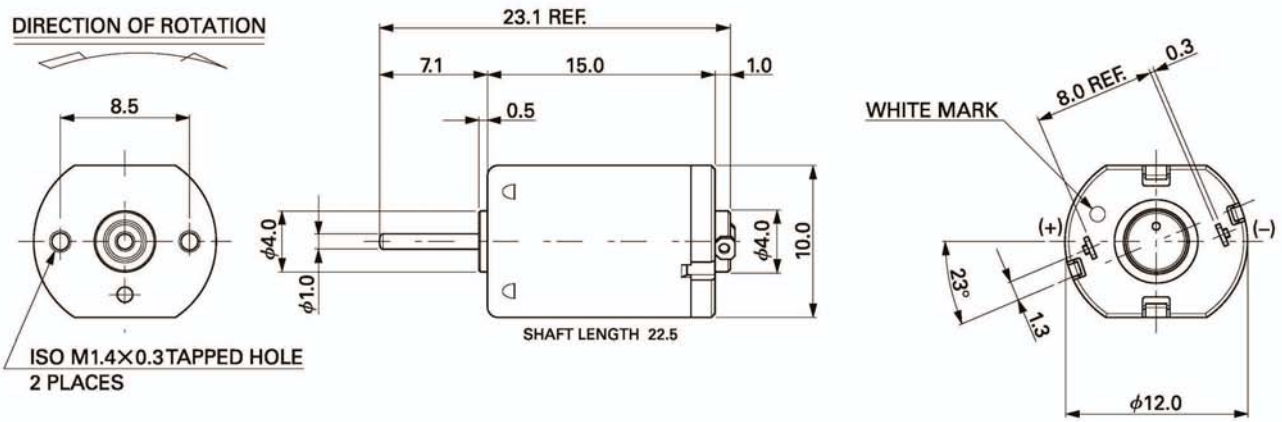
Precious metal-brush motors

Typical Applications: Digital Camera
Electric valve / Electric lock

| MODEL | VOLTAGE | | NO LOAD | | AT MAXIMUM EFFICIENCY | | | | STALL | | | |
|-------------------|-----------------|-------------|----------------|--------------|-----------------------|--------------|----------------|----------------|-------------|----------------|----------------|--------------|
| | OPERATING RANGE | NOMINAL | SPEED r/min | CURRENT A | SPEED r/min | CURRENT A | TORQUE mN·m | TORQUE g·cm | OUTPUT W | TORQUE mN·m | TORQUE g·cm | CURRENT A |
| ET-DCM1215F-10190 | 2~5 | 3V CONSTANT | 12100 | 0.045 | 9390 | 0.16 | 0.21 | 2.1 | 0.20 | 0.92 | 9.4 | 0.54 |

Unit: mm

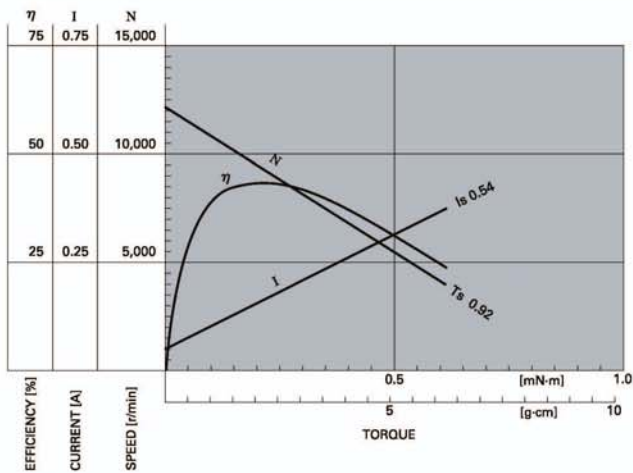
DIRECTION OF ROTATION



Usable machine screw length 1.3 max. from motor mounting surface.

WEIGHT : 5g (APPROX)

ET-DCM1215F-10190 3.0V





ET-DCM1220F

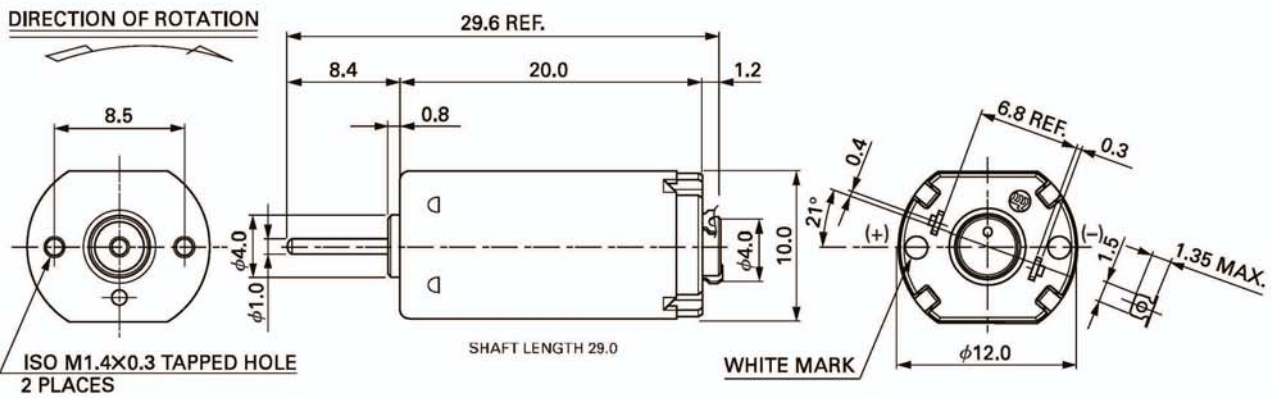
OUTPUT : 0.03W~1.5W (APPROX)

Precious metal-brush motors

Typical Applications Precision Instruments : Digital Camera
Industrial Automation and Secure : Electric valve safelock

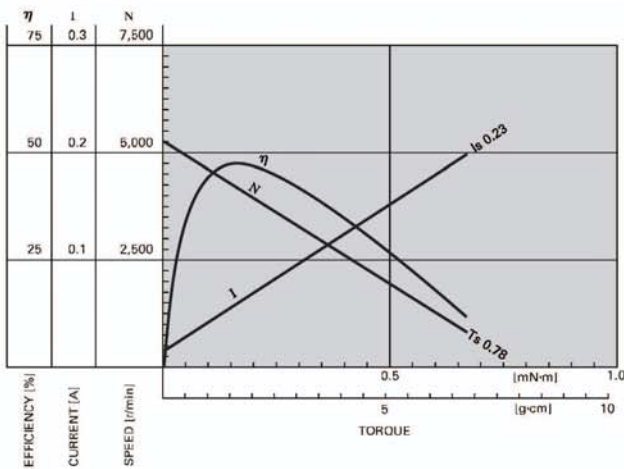
| MODEL | VOLTAGE | | NO LOAD | | AT MAXIMUM EFFICIENCY | | | | | STALL | | |
|-------------------|-----------------|---------------|---------|---------|-----------------------|---------|--------|------|--------|--------|------|---------|
| | OPERATING RANGE | NOMINAL | SPEED | CURRENT | SPEED | CURRENT | TORQUE | | OUTPUT | TORQUE | | CURRENT |
| | | | r/min | A | r/min | A | mN·m | g·cm | W | mN·m | g·cm | A |
| ET-DCM1220F-09210 | 1.4~6.0 | 2.5V CONSTANT | 5300 | 0.015 | 4220 | 0.059 | 0.16 | 1.6 | 0.070 | 0.78 | 8.0 | 0.23 |

Unit: mm



WEIGHT : 7g (APPROX)

ET-DCM1220F-09210 2.5V





ET-DCM1618F

OUTPUT : 0.05W~2.2W (APPROX)

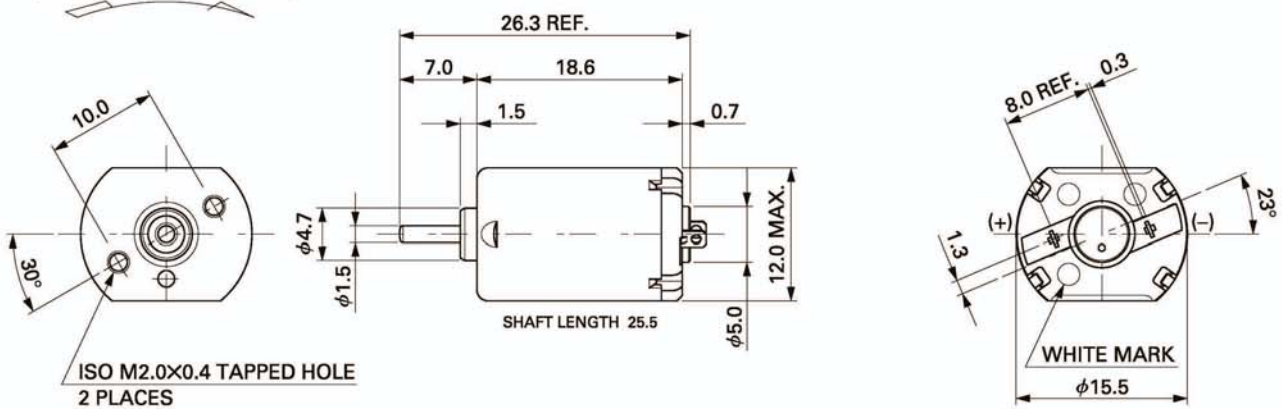
Precious metal-brush motors

Typical Applications: Electric valve, Meter
Robotics, Safe and Locks

| MODEL | VOLTAGE | | NO LOAD | | AT MAXIMUM EFFICIENCY | | | | STALL | | | |
|-------------------|-----------------|---------|----------------|--------------|-----------------------|--------------|----------------|----------------|-------------|----------------|----------------|--------------|
| | OPERATING RANGE | NOMINAL | SPEED r/min | CURRENT A | SPEED r/min | CURRENT A | TORQUE mN·m | TORQUE g·cm | OUTPUT W | TORQUE mN·m | TORQUE g·cm | CURRENT A |
| ET-DCM1618F-09210 | 3~7 | 7V DC | 14800 | 0.056 | 11500 | 0.20 | 0.56 | 5.7 | 0.67 | 2.50 | 25 | 0.68 |
| ET-DCM1618F-11160 | 2.0~5.5 | 5V DC | 13800 | 0.066 | 10870 | 0.25 | 0.53 | 5.4 | 0.60 | 2.50 | 25 | 0.91 |
| ET-DCM1618F-08250 | 1.5~4.5 | 2.5V DC | 4100 | 0.028 | 2900 | 0.071 | 0.21 | 2.1 | 0.062 | 0.74 | 7.6 | 0.18 |
| ET-DCM1618F-11195 | 3~6 | 5V DC | 11000 | 0.05 | 8150 | 0.17 | 3.27 | 7.3 | 0.64 | 2.16 | 22 | 0.60 |

Unit: mm

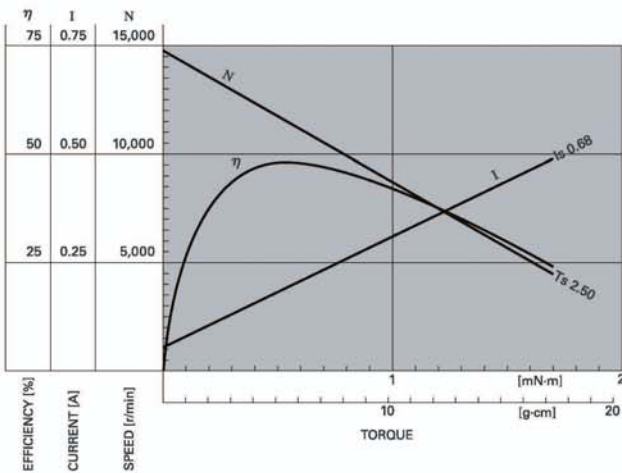
DIRECTION OF ROTATION



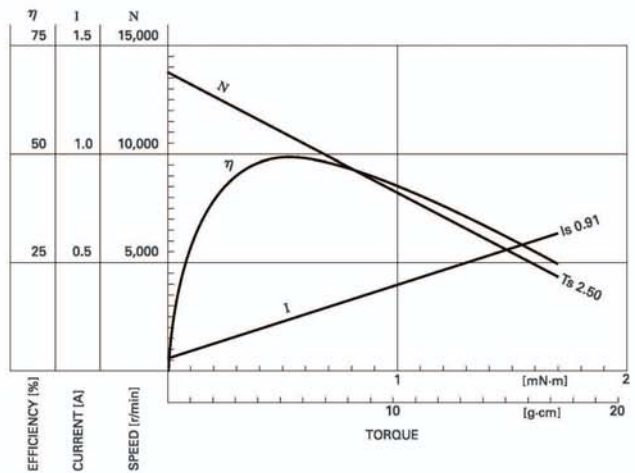
Usable machine screw length 1.5 max. from motor mounting surface.

WEIGHT : 11g (APPROX)

ET-DCM1618F-09210 7.0V



ET-DCM1618F-11160 5.0V





ET-DCM1627F

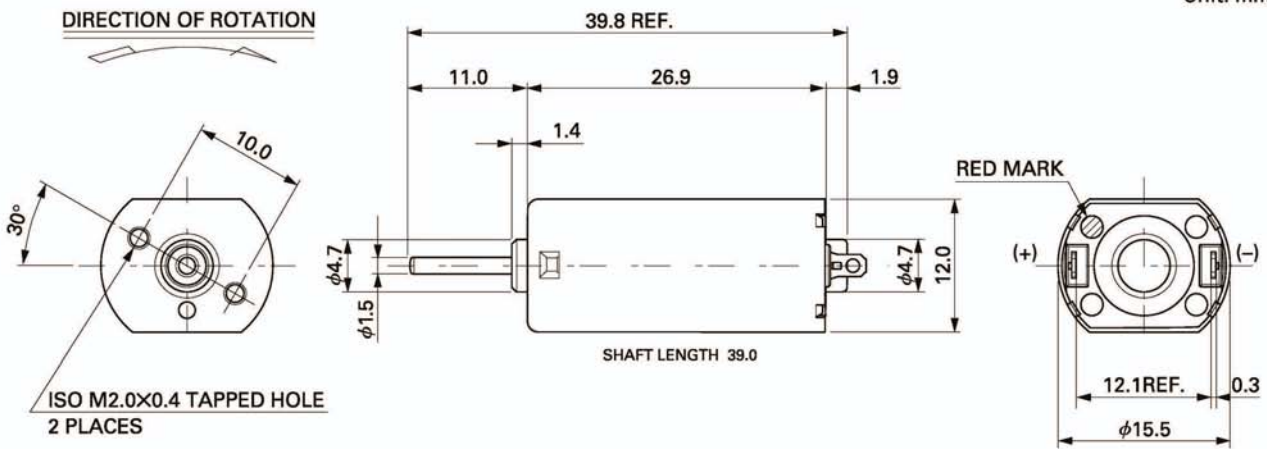
OUTPUT : 0.5W~1.5W (APPROX)

Precious metal-brush motors

Typical Applications: Electric valve, Meter
Robotics, Safe and Locks

| MODEL | VOLTAGE | | NO LOAD | | AT MAXIMUM EFFICIENCY | | | | | STALL | | |
|-------------------|-----------------|---------|----------------|--------------|-----------------------|--------------|----------------|----------------|-------------|----------------|----------------|--------------|
| | OPERATING RANGE | NOMINAL | SPEED t/min | CURRENT A | SPEED t/min | CURRENT A | TORQUE mN·m | TORQUE g·cm | OUTPUT W | TORQUE mN·m | TORQUE g·cm | CURRENT A |
| ET-DCM1627F-11170 | 2~8 | 7V DC | 10400 | 0.046 | 8440 | 0.20 | 0.83 | 8.5 | 0.73 | 4.41 | 45 | 0.85 |
| ET-DCM1627F-09250 | 5.0~11.5 | 8V DC | 8100 | 0.023 | 6610 | 0.10 | 0.63 | 6.4 | 0.44 | 3.43 | 35 | 0.45 |

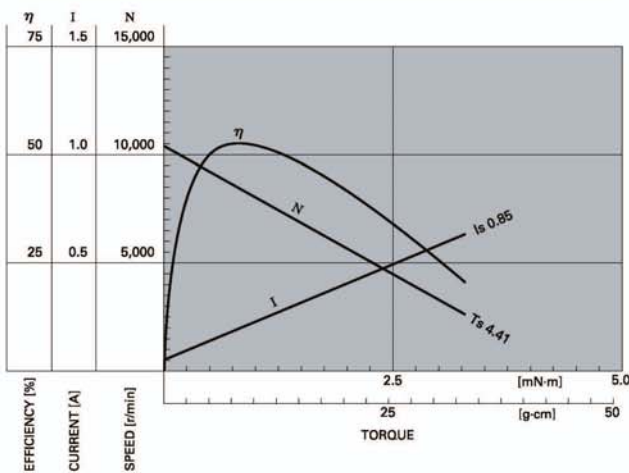
Unit: mm



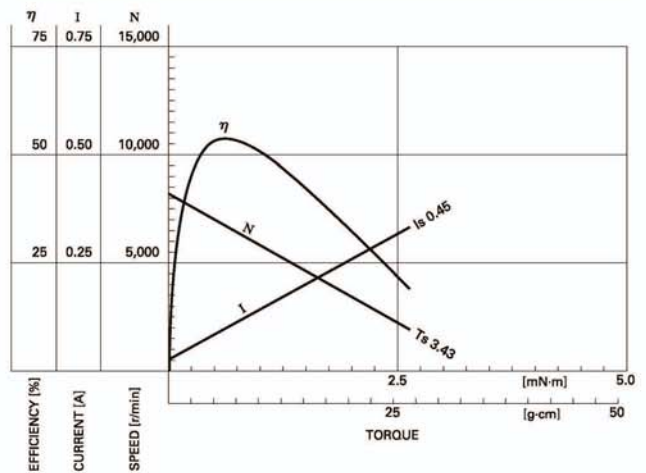
Usable machine screw length 2.5 max. from motor mounting surface.

WEIGHT : 18g (APPROX)

ET-DCM1627F-11170 7.0V



ET-DCM1627F-09250 8.0V





ET-DCM2125F

OUTPUT : 0.08W~3.3W (APPROX)

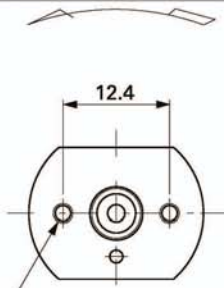
Metal/Carbon brush motor

Typical Applications: Latch, Drawer
Dispenser, Pump, Locks

| MODEL | VOLTAGE | | NO LOAD | | AT MAXIMUM EFFICIENCY | | | | | STALL | | |
|-------------------|-----------------|---------------|---------|---------|-----------------------|---------|--------|------|--------|--------|------|---------|
| | OPERATING RANGE | NOMINAL | SPEED | CURRENT | SPEED | CURRENT | TORQUE | | OUTPUT | TORQUE | | CURRENT |
| | | | r/min | A | r/min | A | mN-m | g-cm | W | mN-m | g-cm | A |
| ET-DCM2125F-11340 | 3.5~5.5 | 5V CONSTANT | 5400 | 0.030 | 4220 | 0.11 | 0.56 | 5.7 | 0.25 | 2.55 | 26 | 0.38 |
| ET-DCM2125F-14230 | 2.5~10.0 | 6V CONSTANT | 7400 | 0.050 | 6060 | 0.23 | 1.20 | 12.3 | 0.76 | 6.67 | 68 | 1.03 |
| ET-DCM2125F-11340 | 3~12 | 7.5V CONSTANT | 6100 | 0.033 | 4920 | 0.14 | 1.06 | 10.9 | 0.55 | 5.49 | 56 | 0.57 |

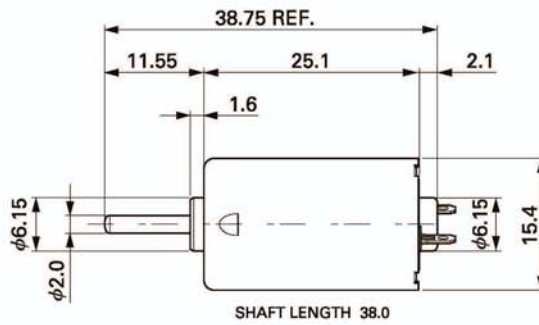
Unit: mm

DIRECTION OF ROTATION

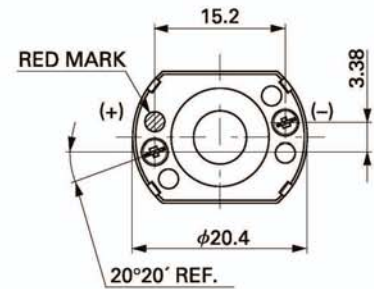


ISO M2.0X0.4 TAPPED HOLE
2 PLACES

Usable machine screw length 2.0 max. from motor mounting surface.

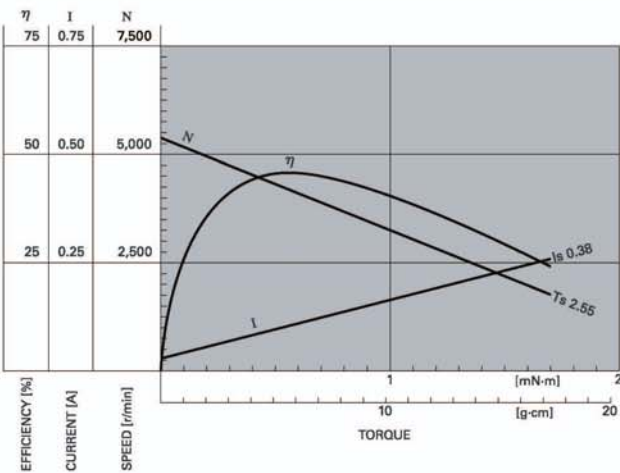


SHAFT LENGTH 38.0

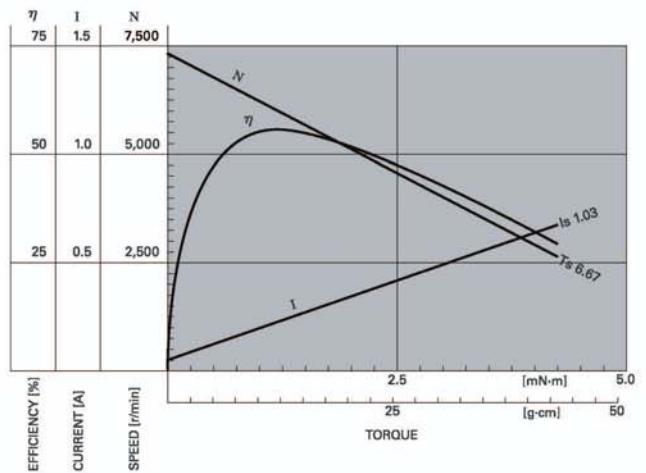


WEIGHT : 25g (APPROX)

ET-DCM2125F-11340 5.0V



ET-DCM2125F-14230 6.0V





ET-DCM2132F

OUTPUT : 0.05W~5.6W (APPROX)

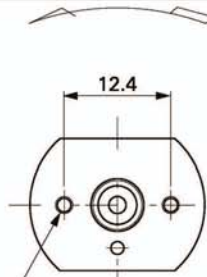
Metal/Carbon brush motor

Typical Applications: Locks, Switch
Electric Valve, Robotics

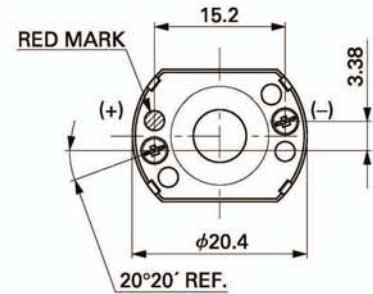
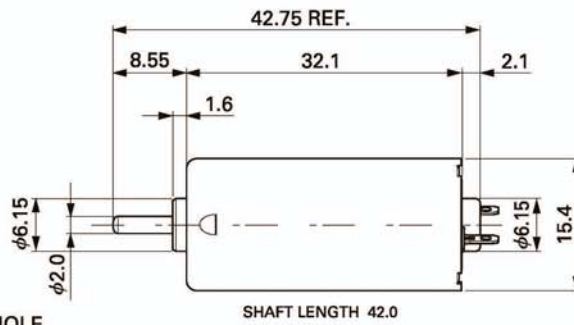
| MODEL | VOLTAGE | | NO LOAD | | AT MAXIMUM EFFICIENCY | | | | | STALL | | |
|-------------------|-----------------|---------------|---------|---------|-----------------------|---------|--------|------|--------|--------|------|---------|
| | OPERATING RANGE | NOMINAL | SPEED | CURRENT | SPEED | CURRENT | TORQUE | | OUTPUT | TORQUE | | CURRENT |
| | | | r/min | A | r/min | A | mN-m | g-cm | W | mN-m | g-cm | A |
| ET-DCM2132F-2852 | 1~3 | 2.4V CONSTANT | 8100 | 0.15 | 6850 | 0.82 | 1.82 | 18.6 | 1.30 | 11.8 | 120 | 4.50 |
| ET-DCM2132F-2657 | 1~3 | 2.4V CONSTANT | 7700 | 0.13 | 6500 | 0.70 | 1.56 | 15.9 | 1.06 | 10.0 | 102 | 3.80 |
| ET-DCM2132F-10320 | 6.0~12.0 | 12V DC | 4100 | 0.028 | 2900 | 0.071 | 0.21 | 2.1 | 0.062 | 0.74 | 7.6 | 0.18 |
| ET-DCM2132F-14210 | 3~7.2 | 4.5V DC | 3700 | 0.025 | 3200 | 0.17 | 0.69 | 7.0 | 0.23 | 6.17 | 63 | 0.68 |

Unit: mm

DIRECTION OF ROTATION



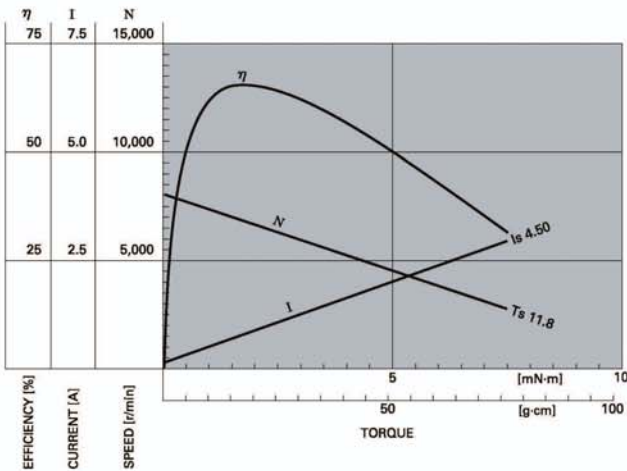
ISO M2.0X0.4 TAPPED HOLE
2 PLACES



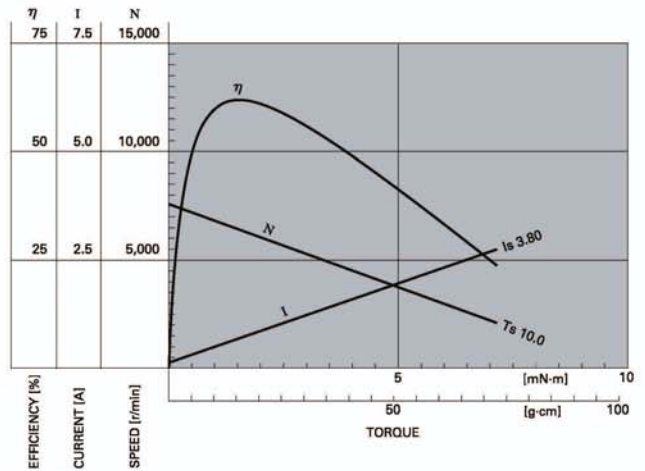
Usable machine screw length 2.0 max. from motor mounting surface.

WEIGHT : 32g (APPROX)

ET-DCM2132F-2852 2.4V



ET-DCM2132F-2657 2.4V





ET-DCM2513R

OUTPUT : 0.02W~1.8W (APPROX)

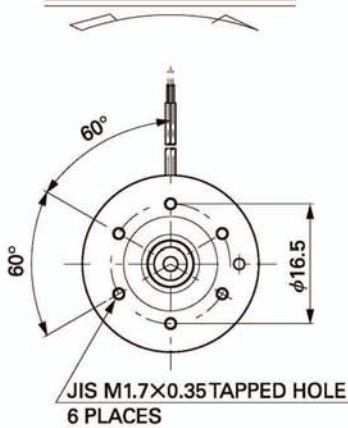
Precious metal-brush motors

Typical Applications: Air Freshener Dispenser
Electric Fan

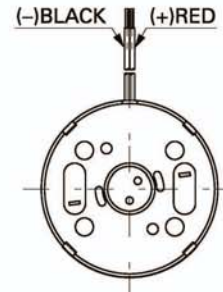
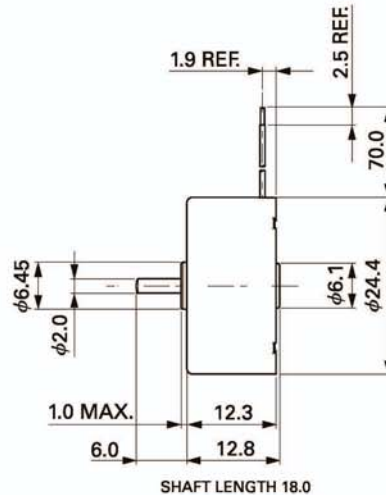
| MODEL | VOLTAGE | | NO LOAD | | AT MAXIMUM EFFICIENCY | | | | STALL | | | |
|-------------------|-----------------|---------------|---------|---------|-----------------------|---------|--------|------|--------|--------|------|---------|
| | OPERATING RANGE | NOMINAL | SPEED | CURRENT | SPEED | CURRENT | TORQUE | | OUTPUT | TORQUE | | CURRENT |
| | | | r/min | A | r/min | A | mN-m | g-cm | W | mN-m | g-cm | A |
| ET-DCM2513R-10390 | 2.8~7.0 | 3.9V CONSTANT | 4400 | 0.021 | 3520 | 0.084 | 0.47 | 4.8 | 0.17 | 2.35 | 24 | 0.34 |
| ET-DCM2513R-11440 | 0.7~4.5 | 2V CONSTANT | 2200 | 0.018 | 1600 | 0.055 | 0.27 | 2.7 | 0.05 | 1.18 | 12 | 0.17 |
| ET-DCM2513R-13300 | 1.5~4.5 | 2V CONSTANT | 3300 | 0.025 | 2700 | 0.087 | 0.29 | 3.0 | 0.08 | 1.67 | 17 | 0.35 |
| ET-DCM2513R-09550 | 1.0~6.0 | 3V CONSTANT | 2900 | 0.010 | 2200 | 0.060 | 0.25 | 2.5 | 0.06 | 1.27 | 13 | 0.15 |

Unit: mm

DIRECTION OF ROTATION



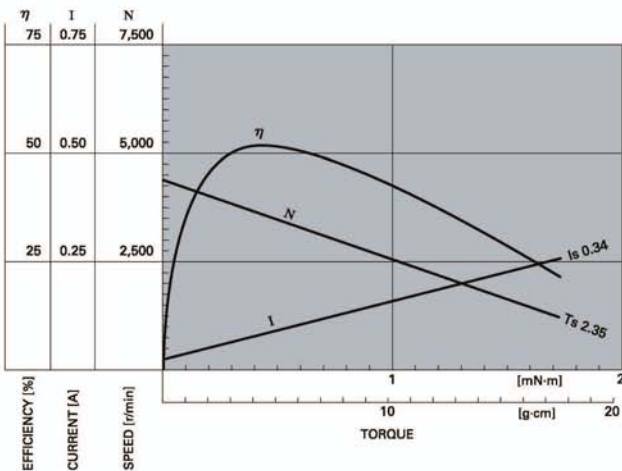
Usable machine screw length 1.1 max. from motor mounting surface.



Also available with terminals (without leadwires).

WEIGHT : 22g (APPROX)

ET-DCM2513R-10390 3.9V





ET-DCM2518R

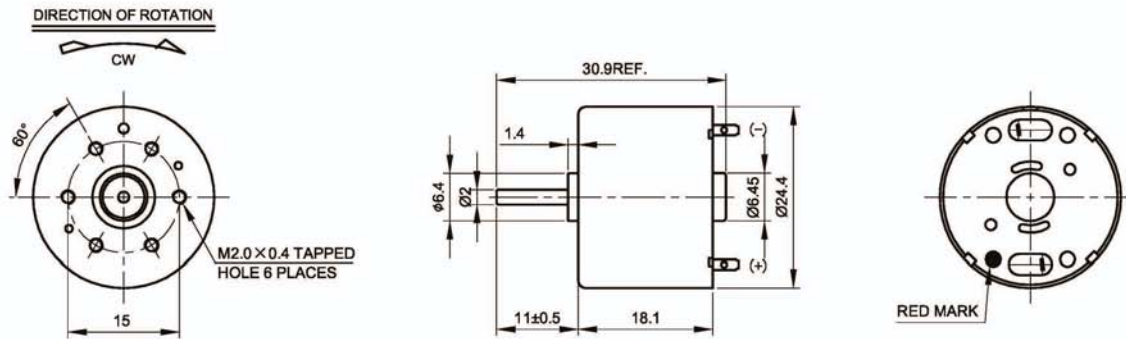
OUTPUT : 0.06W~0.5W (APPROX)

Precious metal-brush motors

Typical Applications: Audio and Visual Equipment : CD Player

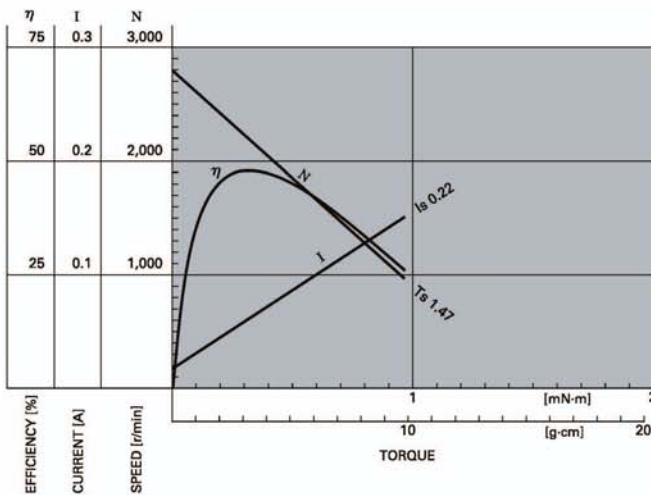
| MODEL | VOLTAGE | | NO LOAD | | AT MAXIMUM EFFICIENCY | | | | STALL | | | |
|-------------------|-----------------|---------------|----------------|--------------|-----------------------|--------------|----------------|----------------|-------------|----------------|----------------|--------------|
| | OPERATING RANGE | NOMINAL | SPEED r/min | CURRENT A | SPEED r/min | CURRENT A | TORQUE mN-m | TORQUE g-cm | OUTPUT W | TORQUE mN-m | TORQUE g-cm | CURRENT A |
| ET-DCM2518R-13320 | 5.0-8.0 | 6V CONSTANT | 6200 | 0.032 | 5300 | 0.14 | 0.98 | 10 | 0.54 | 6.76 | 69 | 0.76 |
| ET-DCM2518R-11400 | 1.5-3.0 | 2.5V CONSTANT | 2800 | 0.017 | 2190 | 0.06 | 0.32 | 3.3 | 0.073 | 1.47 | 15 | 0.22 |

Unit: mm



WEIGHT : 29g (APPROX)

ET-DCM2518R-11400 2.5V





ET-DCM2531R

OUTPUT : 0.6W~2.5W (APPROX)

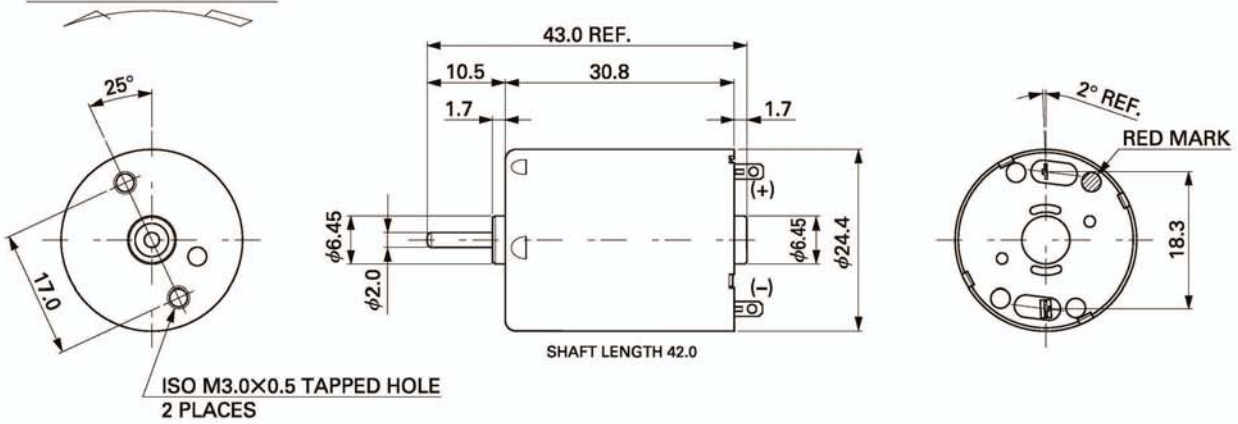
Metal/Carbon brush motor

Typical Applications: Kitchen Appliance Office Machine
Office Applications: Electric Drawer, Safelock
Pet Applications: Pet Feeder, Pet Door Controller

| MODEL | VOLTAGE | | NO LOAD | | AT MAXIMUM EFFICIENCY | | | | | STALL | | |
|-------------------|-----------------|--------------|---------|---------|-----------------------|---------|--------|------|--------|--------|------|---------|
| | OPERATING RANGE | NOMINAL | SPEED | CURRENT | SPEED | CURRENT | TORQUE | | OUTPUT | TORQUE | | CURRENT |
| | | | r/min | A | r/min | A | mN-m | g-cm | W | mN-m | g-cm | A |
| ET-DCM2531R-15370 | 3~12 | 12V CONSTANT | 5600 | 0.026 | 4840 | 0.17 | 2.48 | 25.3 | 1.25 | 18.3 | 187 | 1.06 |
| ET-DCM2531R-12560 | 4~12 | 8V CONSTANT | 2400 | 0.015 | 1970 | 0.069 | 1.57 | 16.0 | 0.32 | 8.82 | 90 | 0.32 |

Unit: mm

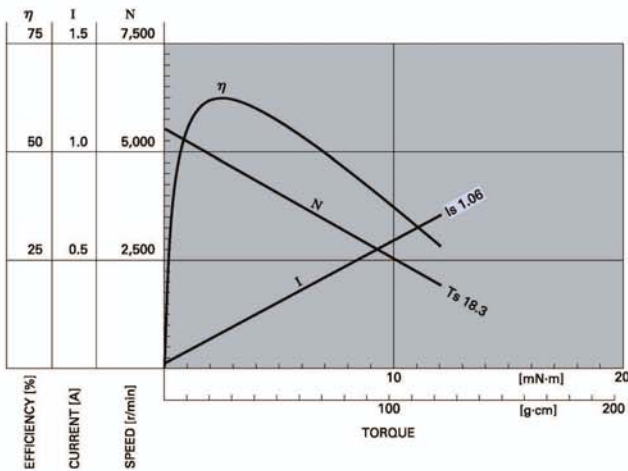
DIRECTION OF ROTATION



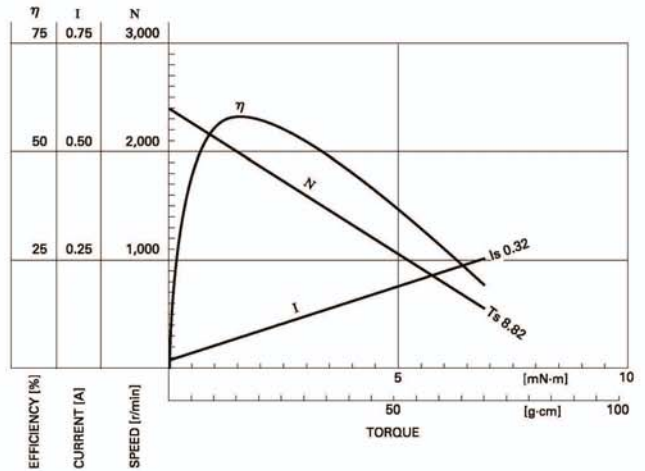
Usable machine screw length 2.0 max. from motor mounting surface.

WEIGHT : 51g (APPROX)

ET-DCM2531R-15370 12.0V



ETDCM2531R-12560 8.0V





ET-DCM2838RT

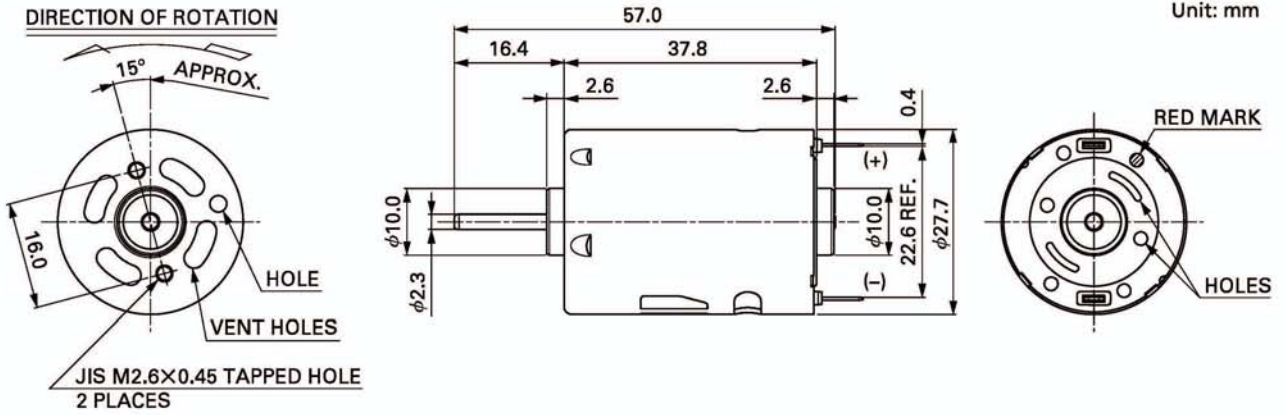
OUTPUT : 0.7W~40W (APPROX)

Carbon-brush motors

Typical Applications: Coffee Machine
ATM, Robotics, Pump, Blinds

| MODEL | VOLTAGE | | NO LOAD | | AT MAXIMUM EFFICIENCY | | | | STALL | | | |
|-------------------|-----------------|--------------|---------|---------|-----------------------|---------|--------|------|--------|--------|------|---------|
| | OPERATING RANGE | NOMINAL | SPEED | CURRENT | SPEED | CURRENT | TORQUE | | OUTPUT | TORQUE | | CURRENT |
| | | | r/min | A | r/min | A | mN·m | g·cm | W | mN·m | g·cm | A |
| ET-DCM2838RT-2270 | 6~24 | 12V CONSTANT | 10000 | 0.20 | 8170 | 0.89 | 7.89 | 80.5 | 6.74 | 43.2 | 440 | 4.00 |

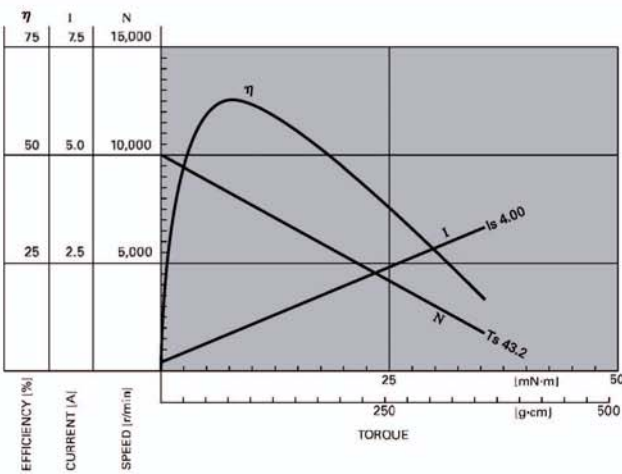
(*1) CCW shifted commutation (CCW+)
The terminal position against the tapped holes varies depending on CW+/NEUTRAL.



Usable machine screw length 3.0 max. from motor mounting surface.

WEIGHT : 82g (APPROX)

ET-DCM2838RT-2270 12.0V





ET-DCM3220R

OUTPUT : 0.01W~2.0W (APPROX)

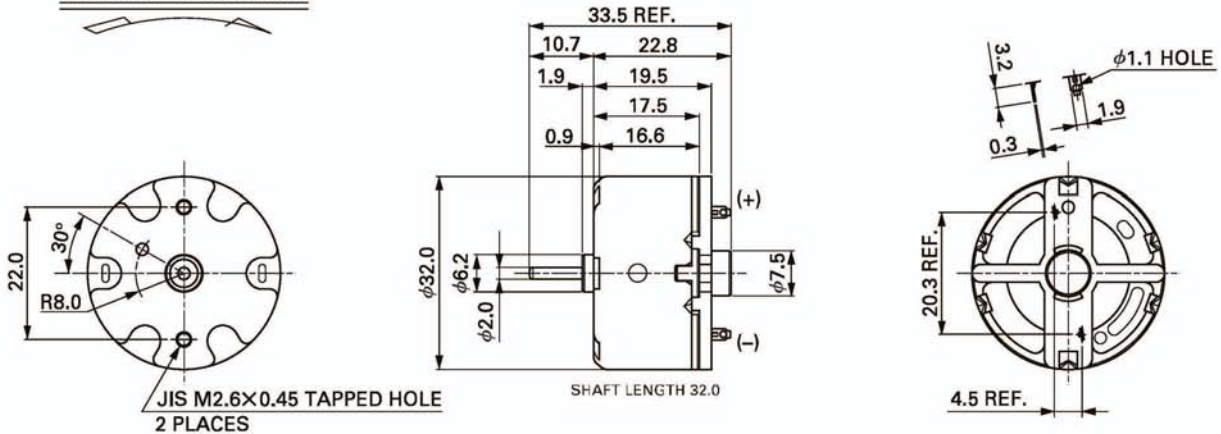
Precious metal-brush motors

Typical Applications Sanitary Dispenser: Air Freshener, Soap Dispenser

| MODEL | VOLTAGE | | NO LOAD | | AT MAXIMUM EFFICIENCY | | | | STALL | | | |
|-------------------|-----------------|-------------|----------------|--------------|-----------------------|--------------|----------------|----------------|-------------|----------------|----------------|--------------|
| | OPERATING RANGE | NOMINAL | SPEED r/min | CURRENT A | SPEED r/min | CURRENT A | TORQUE mN·m | TORQUE g·cm | OUTPUT W | TORQUE mN·m | TORQUE g·cm | CURRENT A |
| ET-DCM3220R-14415 | 1.5~9.0 | 5V CONSTANT | 3100 | 0.026 | 2540 | 0.12 | 1.23 | 12.6 | 0.33 | 6.86 | 70 | 0.54 |
| ET-DCM3220R-12560 | 1.5~12.0 | 6V CONSTANT | 2700 | 0.020 | 2180 | 0.084 | 1.13 | 11.6 | 0.26 | 5.88 | 60 | 0.35 |

Unit: mm

DIRECTION OF ROTATION

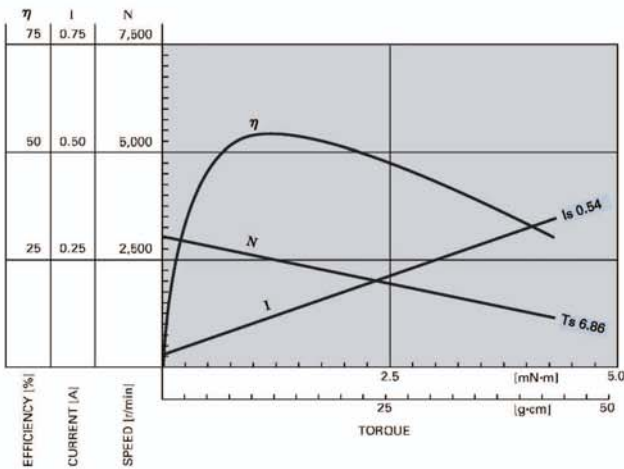


Usable machine screw length 1.5 max. from motor mounting surface.

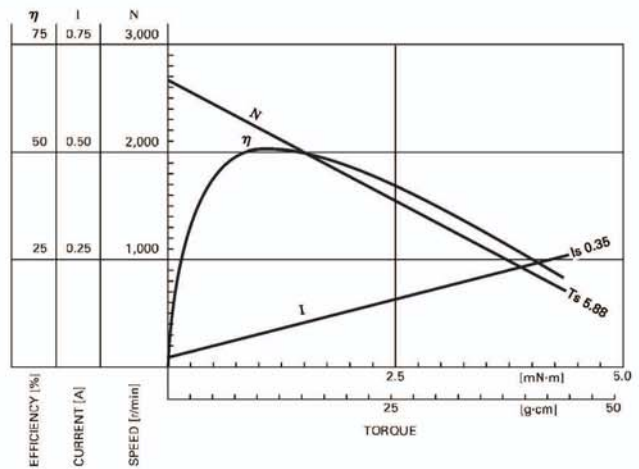
WEIGHT : 45g (APPROX)

ET-DCM3220R-14415

5.0V



ET-DCM3220R-12560





ET-DCM3223R

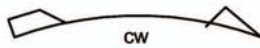
OUTPUT : 0.03W~4.0W (APPROX)

Metal/Carbon brush motor

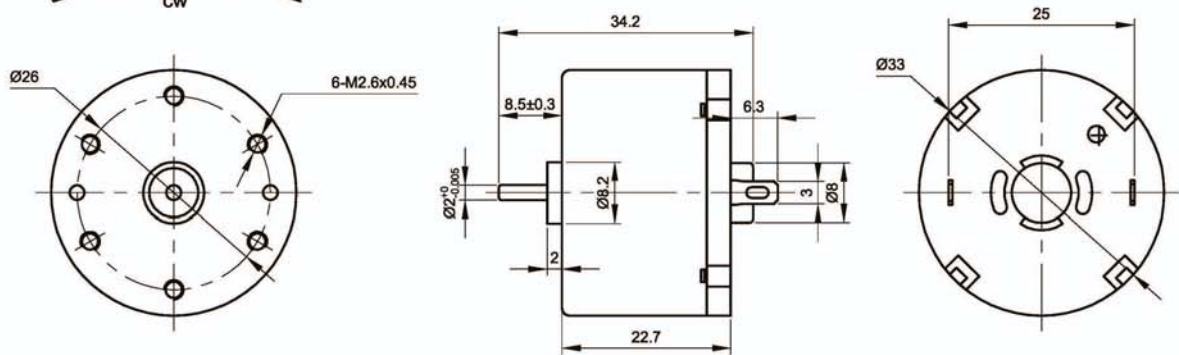
Typical Applications Home Appliances : Soap Dispenser / Pump

| MODEL | VOLTAGE | | NO LOAD | | AT MAXIMUM EFFICIENCY | | | | STALL | | | |
|-------------------|-----------------|----------------|---------|---------|-----------------------|---------|--------|--------|--------|---------|------|------|
| | OPERATING RANGE | NOMINAL | SPEED | CURRENT | SPEED | CURRENT | TORQUE | OUTPUT | TORQUE | CURRENT | | |
| | | | r/min | A | r/min | A | mN-m | g-cm | W | mN-m | g-cm | A |
| ET-DCM3223R-13230 | 10.0~14.0 | 12.0V CONSTANT | 6000 | 0.033 | 5200 | 0.23 | 2.94 | 30.0 | 1.60 | 21.5 | 220 | 1.50 |
| ET-DCM3223R-24109 | 1.5~6.0 | 4.5V CONSTANT | 7800 | 0.078 | 6830 | 0.55 | 2.48 | 25.3 | 1.77 | 20.0 | 204 | 3.90 |
| ET-DCM3223R-13230 | 5.0~8.0 | 6.0V CONSTANT | 5000 | 0.055 | 4050 | 0.23 | 1.96 | 20.0 | 0.83 | 10.3 | 124 | 0.98 |

DIRECTION OF ROTATION



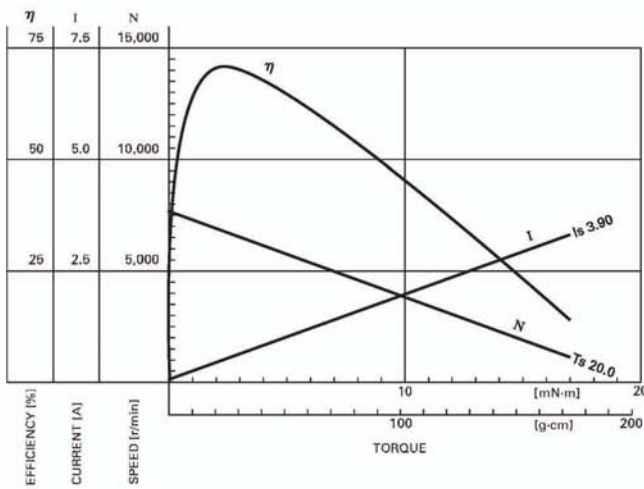
Unit: mm



WEIGHT :55g (APPROX)

ET-DCM3223R-24109

4.5V





ET-DCM3650RTM

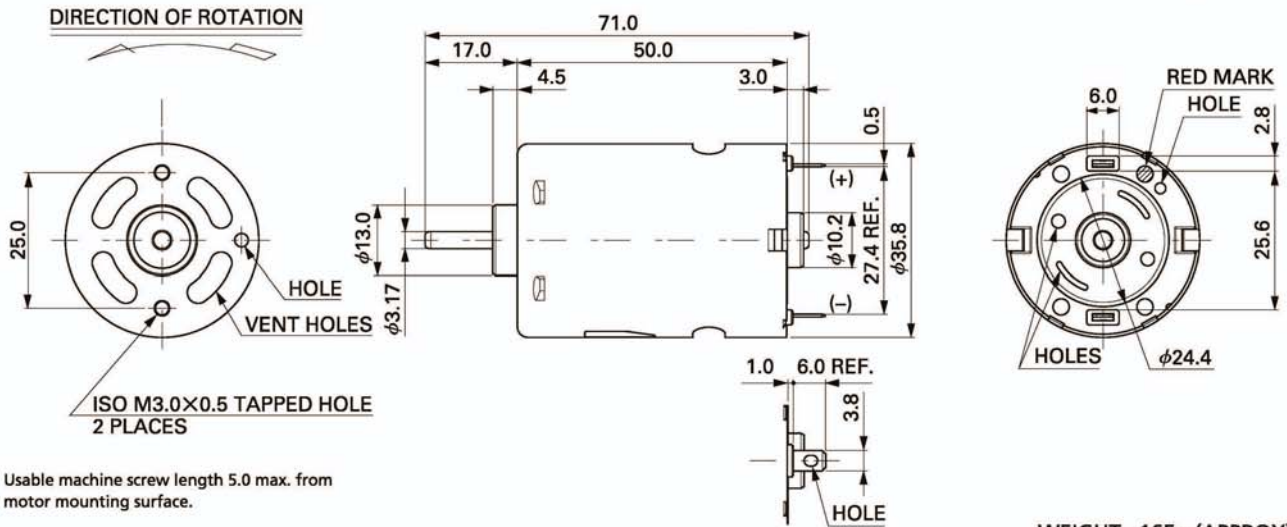
OUTPUT : 4W~75W (APPROX)

Carbon-brush motors

Typical Applications Home Appliances : Robots / Vending machine / Pump

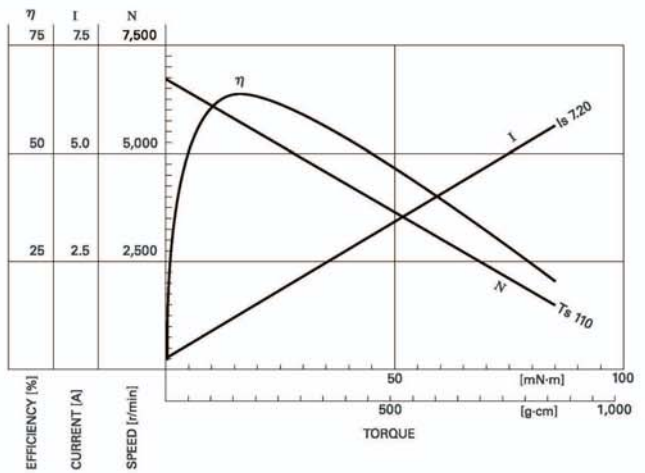
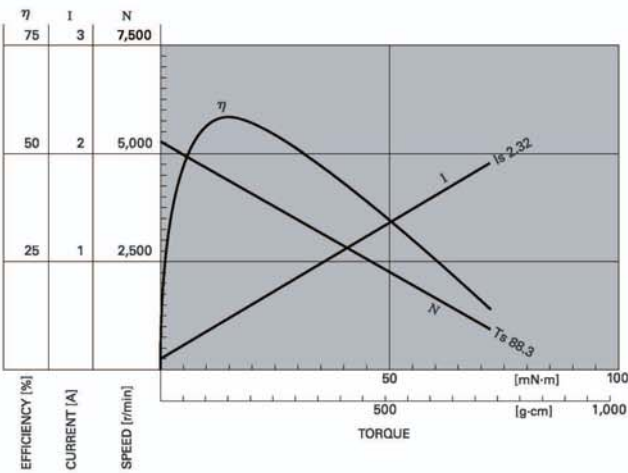
| MODEL | VOLTAGE | | NO LOAD | | AT MAXIMUM EFFICIENCY | | | | STALL | | | |
|---------------------|-----------------|--------------|----------------|--------------|-----------------------|--------------|----------------|----------------|-------------|----------------|----------------|--------------|
| | OPERATING RANGE | NOMINAL | SPEED r/min | CURRENT A | SPEED r/min | CURRENT A | TORQUE mN·m | TORQUE g·cm | OUTPUT W | TORQUE mN·m | TORQUE g·cm | CURRENT A |
| ET-DCM3650RTM-18150 | 12~32 | 24V CONSTANT | 5300 | 0.10 | 4390 | 0.48 | 15.2 | 155 | 6.97 | 88.3 | 900 | 2.32 |
| ET-DCM3650RTM-2680 | 6~24 | 12V CONSTANT | 6800 | 0.25 | 5730 | 1.34 | 17.3 | 176 | 10.4 | 110 | 1121 | 7.20 |

Unit: mm



ET-DCM3650RTM-18150 24.0V

ET-DCM3650RTM-2680 12.0V



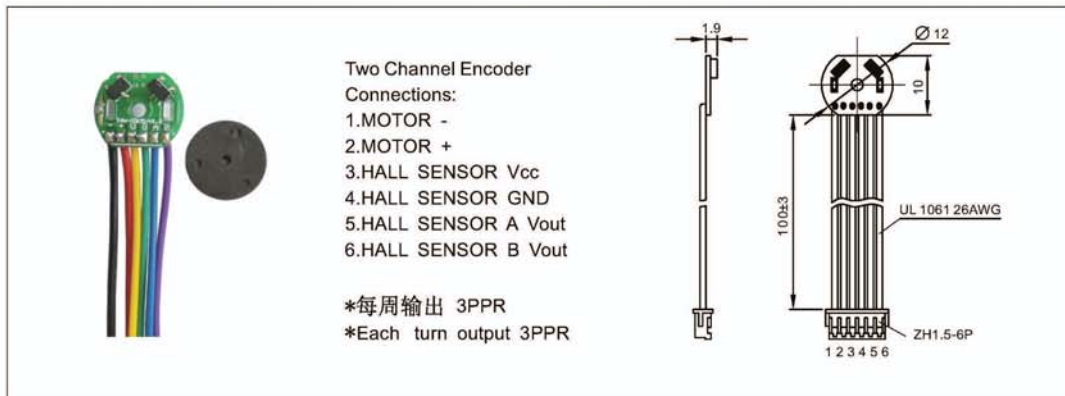


ETONM MOTOR

ET-MY12

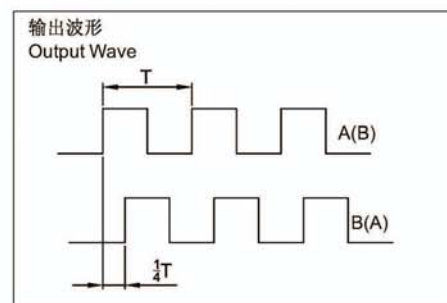
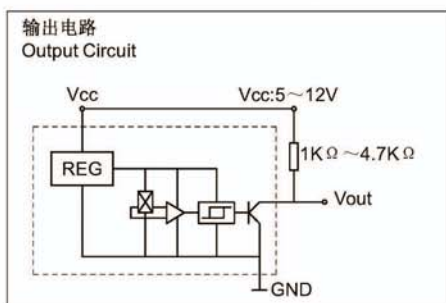
ETONM MOTOR CO.,LIMITED
ENCODER MY 12 SERIES

- ★双向霍尔作用译码器
Two Channel Hall Effect Encoder
- ★使用相对湿度: 20%~85%RH
Operating relative humidity
- ★使用温度范围: -20°C~+70°C
Operating temperature range



工作参数
WORKING PARAMETERS

| 规格特性 CHARACTERISTICS | 测试条件 TEST CONDITIONS | 极小 MIN | 基本 REF | 极大 MAX | 单位 UNITS |
|---------------------------------------|-------------------------|-----------|-----------|-----------|-------------|
| 工作电压 WORKING VOLTAGE | — | 3 | 5 | 12 | V |
| 工作电流 WORKING CURRENT | 环境温度小于60°C | — | 10 | 20 | mA |
| 输出电流 OUTPUT CURRENT | | | | | |
| 工作温度范围 OPERATING TEMPERATURE RANGE | | -20 | +25 | +70 | °C |
| 储存温度范围 STORAGE TEMPERATURE RANGE | | -40 | +25 | +105 | °C |
| 工作湿度范围 OPERATING HUMIDITY RANGE | 非结露 | | 50% | 85% | RH |



updated on 10th July 2020



ETONM MOTOR

ET-MY24

ETONM MOTOR CO.,LIMITED
ENCODER MY 24 SERIES

- ★双向霍尔作用译码器
Two Channel Hall Effect Encoder
- ★使用相对湿度: 20%~85%RH
Operating relative humidity
- ★使用温度范围: -20°C~+80°C
Operating temperature range



Two Channel Encoder
Connections:

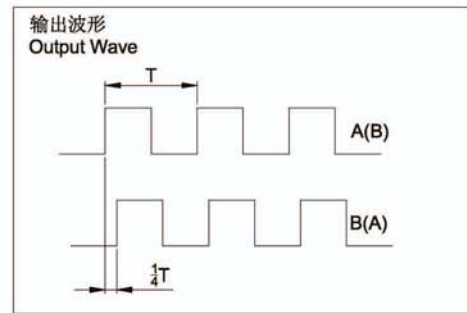
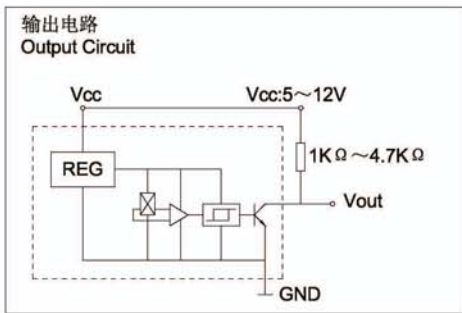
- 1.RED(MOTOR+)
- 2.GREEN(MOTOR-)
- 3.YELLOW(HALL SENSOR GND)
- 4.BLACK(HALL SENSOR Vcc)
- 5.BLUE(HALL SENSOR A Vout)
- 6.WHITE(HALL SENSOR B Vout)

*每周输出3 PPR, 12PPR
*Each turn output 3PPR, 12PPR



ELECTRICAL CHARACTERISTICS
At Vs=4.5V to 24V with 20mA load with Ta=-40°C to 125°C[-40° F to 257° F] unless otherwise noted.

| 规格特性 CHARACTERISTICS | 代号 SYMBOL | 测试条件 TEST CONDITIONS | 极小 MIN | 基本 REF | 极大 MAX | 单位 UNITS |
|---------------------------------|--------------|---------------------------|-----------|-----------|-----------|-------------|
| 输入电压 SUPPLY VOLTAGE | Vcc | -- | 4.5 | -- | 24 | V |
| 输入电流 SUPPLY CURRENT | Icc | -- | -- | 14 | 20 | mA |
| 输出电流 OUTPUT CURRENT | Ic | Vce=12V; Gauss < -170 | -- | <0.1 | 20 | mA |
| 输出漏电流 OUTPUT LEAKAGE CURRENT | Icex | Output open: 25°C [77° F] | -- | -- | 10 | μA |
| 输出上升时间 OUTPUT RISE TIME | Tr | RL=820 Ω ; CL=20pF; 25°C | -- | 0.5 | 1.5 | μS |
| 输出下降时间 OUTPUT FALL TIME | Tf | RL=820 Ω ; CL=20pF; 25°C | -- | 0.2 | 1.5 | μS |





ETONM MOTOR

ET-MY28

ETONM MOTOR CO.,LIMITED
ENCODER MY 28 SERIES

- ★双向霍尔作用译码器
Two Channel Hall Effect Encoder
- ★使用相对湿度: 20%~85%RH
Operating relative humidity
- ★使用温度范围: -20°C~+80°C
Operating temperature range

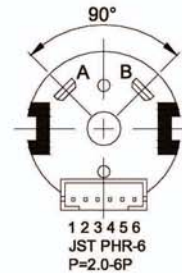


Two Channel Encoder

Connections:

- 1.MOTOR -
- 2.MOTOR +
- 3.HALL SENSOR Vcc
- 4.HALL SENSOR GND
- 5.HALL SENSOR A Vout
- 6.HALL SENSOR B Vout

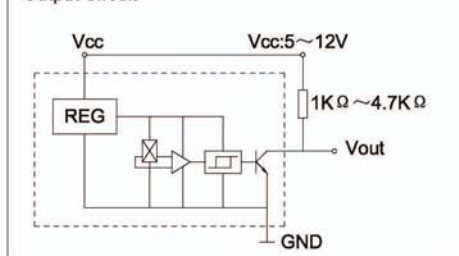
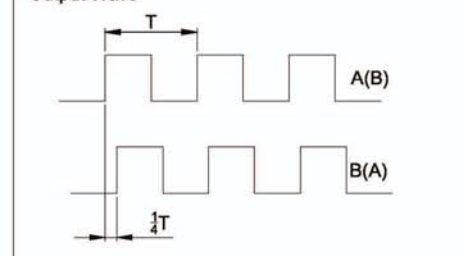
*每周输出3PPR、7PPR
*Each turn output 3PPR、7PPR



ELECTRICAL CHARACTERISTICS

At Vs=4.5V to 24V with 20mA load with Ta=-40°C to 125°C[-40°F to 257°F] unless otherwise noted.

| 规格特性 CHARACTERISTICS | 代号 SYMBOL | 测试条件 TEST CONDITIONS | 极小 MIN | 基本 REF | 极大 MAX | 单位 UNITS |
|---------------------------------|--------------|---------------------------|-----------|-----------|-----------|-------------|
| 输入电压 SUPPLY VOLTAGE | Vcc | — | 4.5 | — | 24 | V |
| 输入电流 SUPPLY CURRENT | Icc | — | — | 14 | 20 | mA |
| 输出电流 OUTPUT CURRENT | Ic | Vce=12V; Gauss < -170 | — | <0.1 | 20 | mA |
| 输出漏电流 OUTPUT LEAKAGE CURRENT | Icex | Output open; 25°C [77° F] | — | — | 10 | μA |
| 输出上升时间 OUTPUT RISE TIME | Tr | RL=820 Ω ; CL=20pF; 25°C | — | 0.5 | 1.5 | μS |
| 输出下降时间 OUTPUT FALL TIME | Tf | RL=820 Ω ; CL=20pF; 25°C | — | 0.2 | 1.5 | μS |

输出电路
Output Circuit输出波形
Output Wave



ET-MY37

ETONM MOTOR CO.,LIMITED
ENCODER MY 37 SERIES

ETONM MOTOR

- ★双向霍尔作用译码器
Two Channel Hall Effect Encoder
- ★使用相对湿度: 20%~85%RH
Operating relative humidity
- ★使用温度范围: -20°C~+80°C
Operating temperature range



2017P0612
T-0302-U2.1
MY-37

Two Channel Encoder
Connections:

- 1.MOTOR -
- 2.MOTOR +
- 3.HALL SENSOR Vcc
- 4.HALL SENSOR GND
- 5.HALL SENSOR A Vout
- 6.HALL SENSOR B Vout

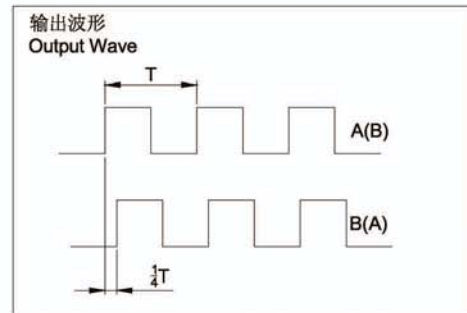
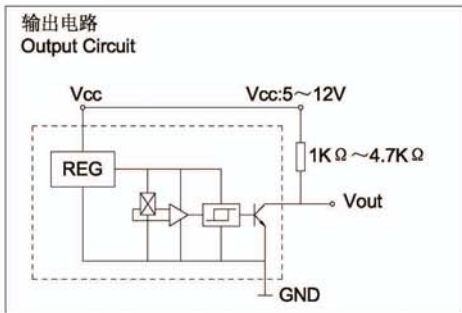
*每周输出3PPR、7PPR
*Each turn output 3PPR、7PPR



90°
A B
1 2 3 4 5 6
JST XHR-6
P=2.5-6P

ELECTRICAL CHARACTERISTICS
At Vs=4.5V to 24V with 20mA load with Ta=-40°C to 125°C[-40° F to 257° F] unless otherwise noted.

| 规格特性 CHARACTERISTICS | 代号 SYMBOL | 测试条件 TEST CONDITIONS | 极小 MIN | 基本 REF | 极大 MAX | 单位 UNITS |
|---------------------------------|--------------|---------------------------|-----------|-----------|-----------|-------------|
| 输入电压 SUPPLY VOLTAGE | Vcc | -- | 4.5 | -- | 24 | V |
| 输入电流 SUPPLY CURRENT | Ice | -- | -- | 14 | 20 | mA |
| 输出电流 OUTPUT CURRENT | Ic | Vce=12V; Gauss <-170 | -- | <0.1 | 20 | mA |
| 输出漏电流 OUTPUT LEAKAGE CURRENT | Icex | Output open; 25°C [77° F] | -- | -- | 10 | μA |
| 输出上升时间 OUTPUT RISE TIME | Tr | RL=820 Ω ; CL=20pF; 25°C | -- | 0.5 | 1.5 | μS |
| 输出下降时间 OUTPUT FALL TIME | Tf | RL=820 Ω ; CL=20pF; 25°C | -- | 0.2 | 1.5 | μS |

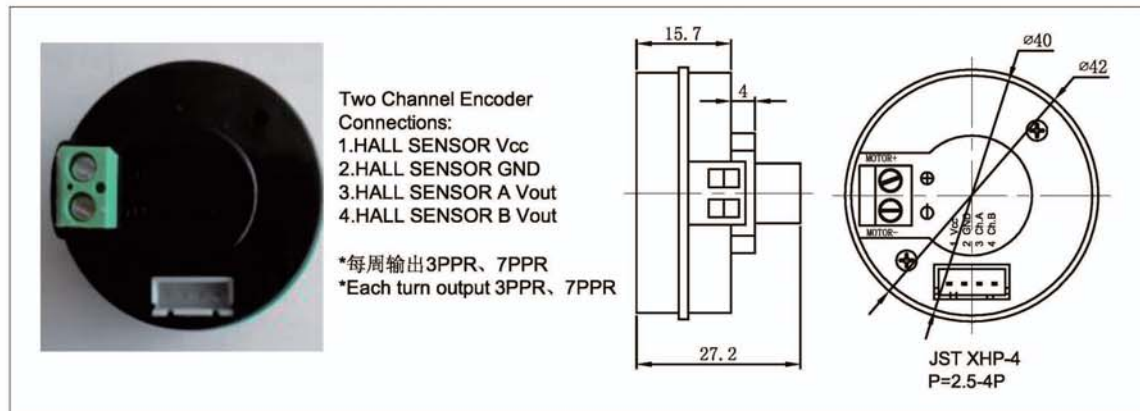




ET-MY42

 ETONM MOTOR CO.,LIMITED
 ENCODER MY 42 SERIES

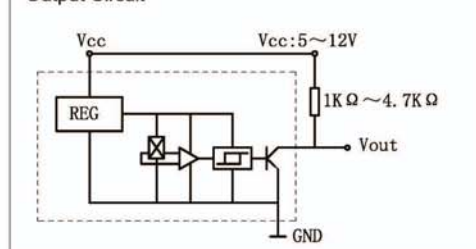
- ★双向霍尔作用译码器
Two Channel Hall Effect Encoder
- ★使用相对湿度：20%~85%RH
Operating relative humidity
- ★使用温度范围：-40℃~+80℃
Operating temperature range



ELECTRICAL CHARACTERISTICS

At Vs=4.5V to 24V with 20mA load with Ta=-40°C to 125°C[-40°F to 257°F] unless otherwise noted.

| 规格特性 CHARACTERISTICS | 代号 SYMBOL | 测试条件 TEST CONDITIONS | 极小 MIN | 基本 REF | 极大 MAX | 单位 UNITS |
|---------------------------------|--------------|--------------------------|-----------|-----------|-----------|-------------|
| 输入电压 SUPPLY VOLTAGE | Vcc | — | 4.5 | — | 24 | V |
| 输入电流 SUPPLY CURRENT | Icc | — | — | 14 | 20 | mA |
| 输出电流 OUTPUT CURRENT | Ic | Vce=12V; Gauss < -170 | — | <0.1 | 20 | mA |
| 输出漏电流 OUTPUT LEAKAGE CURRENT | Icex | Output open; 25°C [77°F] | — | — | 10 | μA |
| 输出上升时间 OUTPUT RISE TIME | Tr | RL=820Ω; CL=20pF; 25°C | — | 0.5 | 1.5 | μS |
| 输出下降时间 OUTPUT FALL TIME | Tf | RL=820Ω; CL=20pF; 25°C | — | 0.2 | 1.5 | μS |

 输出电路
 Output Circuit

 输出波形
 Output Wave
